

MAXILINE™ VMDE Multi-Bag Filter Housing



*Designed for easy,
safe filter bag
change-outs with
minimal product loss*



Eaton's MAXILINE VMDE multi-bag filter housing is user-friendly, seals perfectly and is designed for safe filtration and minimized product loss. Ideal for batch processes which demand the highest quality of filtration.

This multi-bag filter housing is equipped with the QIC-LOCK™ opening mechanism. The flat lid construction, combined with Eaton's SENTINEL® filter bag seal rings, seal perfectly against the lid and minimize the amount of residual product on the inner surface. This reduces product loss, spillage and makes cleaning easier. Units are available in 4 filter bag configuration and come standard with filter bag size 02 stainless steel restrainer baskets.

Features

- QIC-LOCK opening mechanism allows for safe, easy and fast filter bag change-outs for higher productivity and lower operating costs. Ideal for processes requiring frequent filter bag changes such as batch applications

- Automatic safety interlock for venting housing (cover cannot be opened if housing is under pressure)
- A counter-balanced, spring-assisted cover lifting mechanism allows for quick and easy opening of even large covers by one person
- Flat lid design improves sealing, reduces product loss and makes filter bag change-outs cleaner
- Direct feeding of filter bags via individual inlets generates a laminar flow. This ensures optimal cake formation to further improve filtration performance
- Heavy-duty stainless steel mounting legs are included
- Designed in accordance with "AD 2000-Merkblätter", EN 13445 and PED

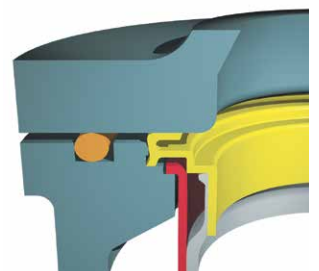
Options

- Available in 316 or 316 Ti stainless steel for high corrosion resistance
- Four bag filter housing for size 01 and 02 filter bags
- Buna-N® O-rings for the cover are standard. EPDM, Viton®, PTFE encapsulated Viton or silicone rubber seals and gaskets are available
- Multiple I/O connections to suit application
- Low profile design with side inlet and tangential outlet provides easy and full drainage and reduces housing height to make filter bag change-outs easier. No need for ladders, stools or catwalks

Viton® is a registered trademark of E. I. du Pont de Nemours and company.

EATON

Powering Business Worldwide

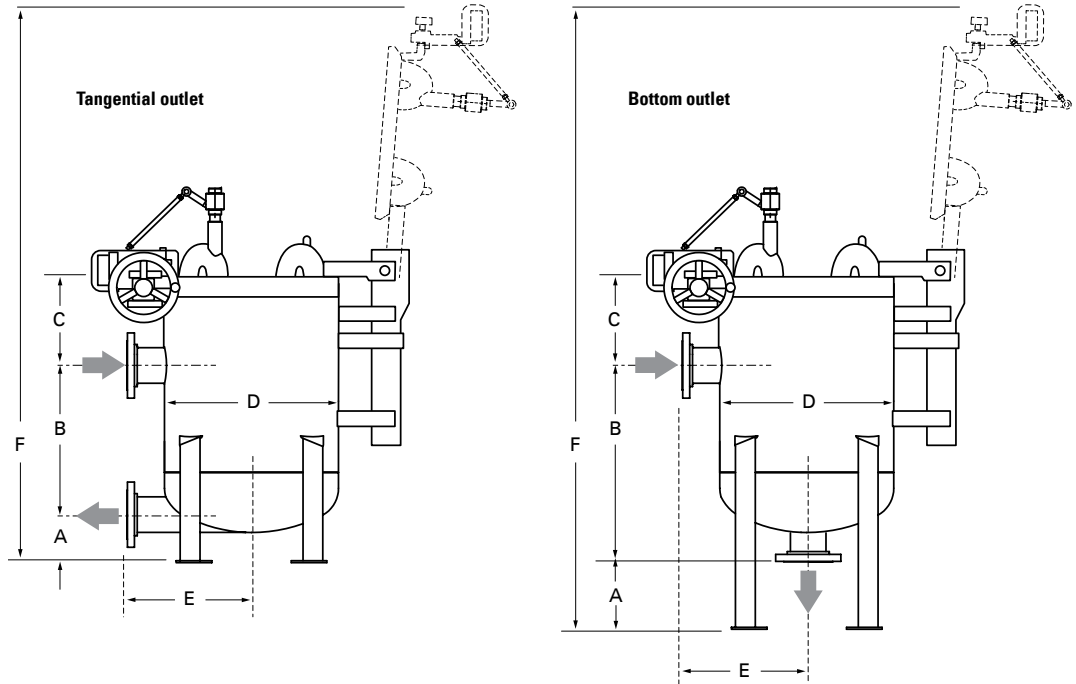


SENTINEL filter bags utilize a pressure activated sealing lip, which responds to increases in differential pressure

MAXILINE VMDE Multi-Bag Filter Housing

Applications

Coarse filtration > 500 µm	✓
Medium filtration > 10 µm	✓
Fine filtration < 10 µm	✓
Pre-filtration	✓
Safety filtration	✓
High volume	✓
Batch filtration	✓
Circuit filtration	✓
Continuous filtration	
Solvents, paints	✓
Fats and oils	✓
Catalyst, activated carbon	
Acids, bases	✓
Petrochemicals	✓
Water, waste water	✓
Chemical industry	✓
Pharmaceuticals	
Metal cleaning	✓
Automotive	✓
Electronics	
Food and beverage	
Paint and lacquer	✓
Water treatment	✓
Galvanic Industry	



Dimensions - mm

Models	A	B	C	D	E	F
VMDE-0402 bottom outlet	475	740	229	559	400	2025
VMDE-0402 tangential outlet	250	527	229	559	400	1845

Dimensions for reference only and approximate. Exact dimensions for installation purposes available on request.

Technical data

Models	No. of filter bags	Size	Flow rate ¹ m ³ /h	Max. pressure bar	Max. temp. °C	Housing volume l	Housing weight kg	I/O connections
VMDE-0402 bottom outlet	4	2	160	10	120	185	220	DN 100 PN 16 (DIN flange)
VMDE-0402 tangential outlet	4	2	160	10	120	185	220	DN 100 PN 16 (DIN flange)

¹ Maximum theoretical flow based on water viscosity, filter bag specific.

North America
44 Apple Street
Tinton Falls, NJ 07724
Toll Free: 800 656-3344
(North America only)
Tel: +1 732 212-4700

Europe/Africa/Middle East
Auf der Heide 2
53947 Nettersheim, Germany
Tel: +49 2486 809-0
Intermorn Product Line
Friedensstraße 41
68804 Altlußheim, Germany
Tel: +49 6205 2094-0

Begerow Product Line
An den Nahewiesen 24
55450 Langenlonsheim, Germany
Tel: +49 6704 204-0

China
No. 3, Lane 280,
Linhong Road
Changning District, 200335
Shanghai, P.R. China
Tel: +86 21 5200-0099

Singapore
4 Loyang Lane #04-01/02
Singapore 508914
Tel: +65 6825-1668

Brazil
Av. Julia Gaioli, 474 –
Bonsucesso
07251-500 – Guarulhos, Brazil
Tel: +55 11 2465-8822

For more information, please
email us at filtration@eaton.com
or visit www.eaton.com/filtration

© 2015 Eaton. All rights reserved. All trademarks and registered trademarks are the property of their respective owners. All information and recommendations appearing in this brochure concerning the use of products described herein are based on tests believed to be reliable. However, it is the user's responsibility to determine the suitability for his own use of such products. Since the actual use by others is beyond our control, no guarantee, expressed or implied, is made by Eaton as to the effects of such use or the results to be obtained. Eaton assumes no liability arising out of the use by others of such products. Nor is the information herein to be construed as absolutely complete, since additional information may be necessary or desirable when particular or exceptional conditions or circumstances exist or because of applicable laws or government regulations.

EN
EF-FB-07
05-2015

