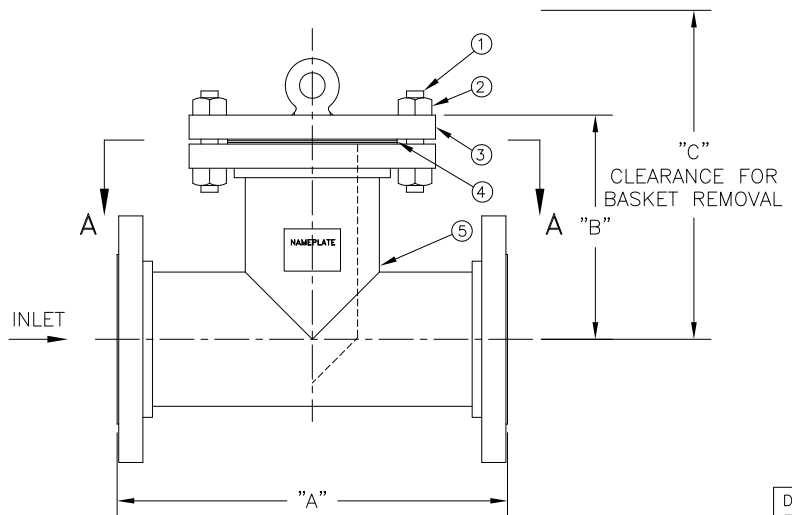
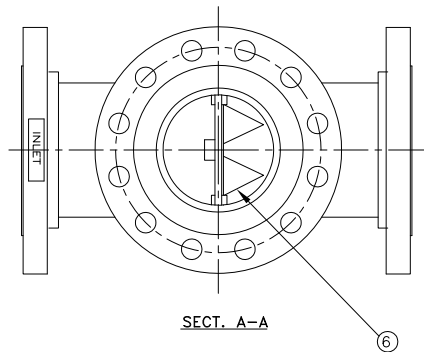


PIPE SIZE (NOMINAL)	DIMENSIONS			APPROX. WEIGHT (DRY) LBS. (KGS)	PART NO.	
	"A"		"B"			"C"
	IN.	(MM)	IN. (MM)	IN. (MM)		
6 (150mm)	19.12	/ 486	11.00 / 279	26.00 / 660	220 / 99.8	ST091060DR2BA
8 (200mm)	22.88	/ 581	13.12 / 333	31.00 / 787	360 / 163.3	ST091080DR2BA
10 (250mm)	26.38	/ 670	15.12 / 384	35.00 / 889	570 / 258.5	ST091100DR2BA
12 (300mm)	30.38	/ 772	17.25 / 438	40.00 / 1016	750 / 340.2	ST091120DR2BA
14 (350mm)	33.25	/ 845	18.88 / 480	45.00 / 1143	1010 / 458.1	ST091140DR2BA
16 (400mm)	35.50	/ 902	20.12 / 511	48.00 / 1219	1285 / 582.9	ST091160DR2BA
18 (450mm)	39.50	/ 1003	22.25 / 565	53.00 / 1346	1650 / 748.4	ST091180DR2BA
20 (500mm)	42.75	/ 1086	24.00 / 610	57.00 / 1448	2030 / 920.8	ST091200DR2BA
24 (600mm)	47.25	/ 1200	26.50 / 673	64.00 / 1626	3025 / 1372.1	ST091240DR2BA

REVISIONS				
REV	DESCRIPTION	BY	ECO	DATE
E	UPDATE TITLE BLOCK & REMOVED NOTE 5	FM	0104921	11/24/2014



NO.	PART NAME	MATERIAL
1	STUDS	ASTM A193 GR. B7
2	NUTS	ASTM A194 GR. 2H
3	COVER	STAINLESS STEEL
4	GASKET	NON-ASBESTOS
5	BODY	STAINLESS STEEL
6	BASKET	316 SSSL
	PERF. / MESH	

- NOTES:
1. STRAINER IS DESIGNED AND FABRICATED IN ACCORDANCE WITH ASME B31.1 POWER PIPING CODE.
 2. ALL DIMENSIONS ON IN INCHES / MM.
 3. ALL FITTINGS CONFORM TO ASME STANDARD.
 4. DESIGN PRESSURE: 375 PSIG @ 150° F (25.9 BAR @ 65.6°C)

CUSTOMER INFO	
NAME	
P.O. NO.	
TAG NO.	
S.O. NO.	
PART NO.	SEE TABLE

DRAWN BY FM	EATON HYDRAULICS GROUP FILTRATION DIVISION GALESBURG, MICHIGAN, USA • TINTON FALLS, NEW JERSEY, USA
SCALE AS DRAWN	
RESTRICTION RESTRICTED	TITLE MODEL 91 TEE STRAINER BOLTED COVER SIZES 6" TO 24" 300#RF FLANGE STAINLESS STEEL
SHEET 1 OF 1	DATE 11/5/97
PROJECTION THIRD ANGLE	SIZE A
	DWG FILENAME SD091BC10
	REV E

EATON CORPORATION - CONFIDENTIAL AND PROPRIETARY NOTICE TO PERSONS RECEIVING THIS DRAWING AND/OR TECHNICAL INFORMATION. THIS DOCUMENT, INCLUDING THE DRAWING AND INFORMATION CONTAINED THEREON IS CONFIDENTIAL AND IS THE EXCLUSIVE PROPERTY OF EATON AT ANY TIME. BY TAKING THE POSSESSION OF THIS DOCUMENT THE RECIPIENT ACKNOWLEDGES AND AGREES THAT THIS DOCUMENT CANNOT BE USED IN ANY MANNER ADVERSE TO THE INTEREST OF EATON AND THAT NO PORTION OF THIS DRAWING MAY BE COPIED OR OTHERWISE REPRODUCED WITHOUT THE PRIOR WRITTEN CONSENT OF EATON, IN THE CASE OF CONFLICTING CONTRACTUAL PROVISIONS, THIS NOTICE SHALL GOVERN THE STATUS OF THIS DOCUMENT.
2014 EATON CORPORATION - ALL RIGHTS RESERVED.