

Disc Cleaning Filters

DCF-2000

Mechanically
Cleaned

Permanent
Media

Eaton's DCF-2000 is designed specifically to address the challenges associated with filtering coatings and slurries in the paper making industry. Eliminate paperbreaks or streaks, reduce the environmental impact, and maximize uptime and productivity—for high production volumes and consistent product quality.



DCF-2000
Single
Configuration

DCF-2000

With a rugged motorized cleaning action, the DCF-2000 can handle the continuous processing requirements of protecting critical wet-end coating operations.

FEATURES

- Filters 48-72% solids coatings at 75 micron retention—the tightest in the industry
- Continuously removes contaminants from the coating and efficiently evacuates collected contaminants while operating at a low, constant differential pressure
- Designed for continuous unattended operation—without the need for operator intervention
- Mechanically cleaned media eliminates replacement media cost and the expense and hazard of waste disposal
- Increased profitability—improves system efficiency, reduces paperbreaks and associated downtime
- Multiplex configurations available and valved to a common tapered header for high-flow applications

TYPICAL APPLICATIONS

- paper coatings



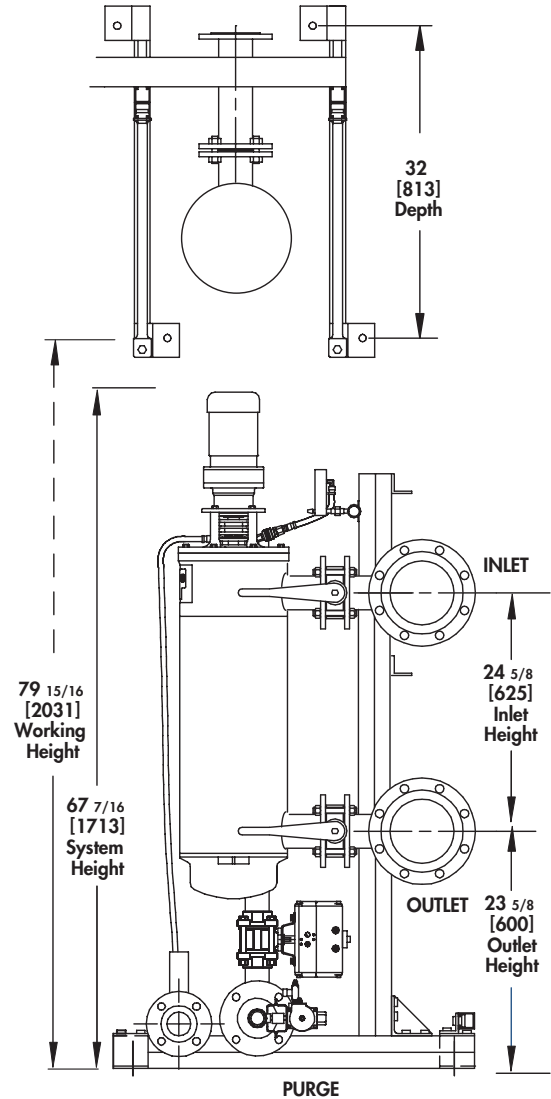
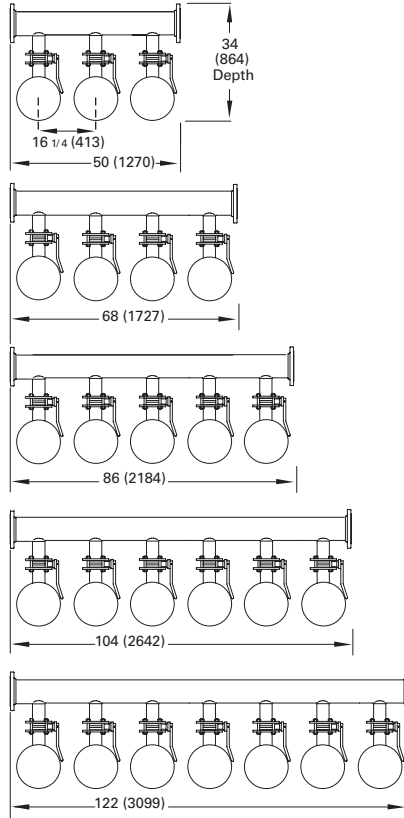
DCF-2000
Multiplex
Configuration

EATON

Powering Business Worldwide

DCF-2000 Disc Cleaning Filters

Driven at a constant rate and pressure, the cleaning disc continuously wipes collected debris from the screen. Collected contaminants are agitated in the collection chamber, keeping them in a semi-liquid state, ready to be purged from the system.



DCF-2000 Specifications

Single Unit Weight	564 lbs (256 kg)
Service Height	72 in (1829 mm)
Total Volumetric Capacity	11 gal (41.6 liters)
Purge Chamber Capacity	1.5 gal (6 liters)
Filtration Surface Area	610 in ² (3935 cm ²)
Flow Rate Range at 100 μ	30–200 gpm 6.8–45.4 m ³ /hr
Temperature, maximum*	160° F (71° C)
Pressure, maximum	150 psi (10.5 bar) standard
Electrical for Motor Drive	single phase 110/220V, 50/60 Hz for control and three phase, 220/380/440/575V (please specify), 50/60 Hz for motor.
Electrical for Controllers	single phase 110/220V, 50/60 Hz

* Dependent on elastomer seal selection

Eaton
North America – HQ
70 Wood Avenue, South
2nd Floor
Iselin, NJ 08830

Toll Free: (800) 656-3344
(North America only)

Voice: (732) 767-4200
Fax: (952) 906-3706

Eaton Brazil
Voice: +55 (11) 6465-8780

Eaton China
Voice: (86-21) 5200-0099

Eaton
Europe/Africa/Middle East
Voice: +49-2486-809-0

Eaton Singapore
Voice: +65 6825-1668

©2011 Eaton Corporation. All Rights Reserved. All trademarks and registered trademarks are the property of their respective owners. LITHO USA. All information and recommendations appearing in this brochure concerning the use of products described herein are based on tests believed to be reliable. However, it is the user's responsibility to determine the suitability for his own use of such products. Since the actual use by others is beyond our control, no guarantee, expressed or implied, is made by Eaton as to the effects of such use or the results to be obtained. Eaton assumes no liability arising out of the use by others of such products. Nor is the information herein to be construed as absolutely complete, since additional information may be necessary or desirable when particular or exceptional conditions or circumstances exist or because of applicable laws or government regulations.

For more information, e-mail us at filtration@eaton.com or call 732-767-4200.

Visit us online at filtration.eaton.com for a complete list of Eaton's filtration products.