

Standard Cast Pipeline Strainers

Options And Temporary Strainers



Heavy-Duty Strainer Baskets

For very demanding applications, heavy-duty construction baskets are extremely rugged and stand up to the most abusive conditions. Heavy-duty strainer baskets have a metal banding spot welded at top and middle to provide extra support for difficult applications.

Magnetic Inserts

In some applications, particularly where fluids are involved in machining processes, microscopic iron or steel particles may be present. These could pass through even the finest mesh screen. Magnetic inserts in the strainer basket catch these particles before they can pass through the mesh lining. Guaranteed to retain their magnetism indefinitely, the powerful Alnico magnets, completely encased and sealed in a 1/8" thick, type 316 stainless steel shell, prevent contamination or corrosion. Each magnet's capacity is 1300 gauss.



Taps

Optimal 1/4" NPT cover vent taps and inlet/outlet nozzle taps are available for most strainers.



Typical pressure differential gauge with switch.

Differential Pressure Gauge

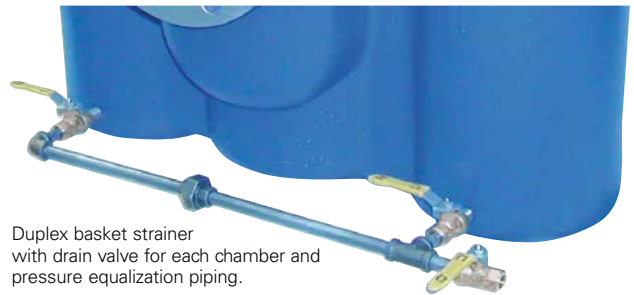
This gauge shows the pressure differential across the strainer and helps determine when to change out the strainer basket. It has a 0 - 30 psid pressure range and features a 3-1/2" gauge face. Rated at 3000 psi, it comes with a 1/4" NPT connection in either brass or stainless steel.

Differential Pressure Gauge with Switch

This standard Eaton differential pressure gauge, shown above, includes a double pole, double throw, relay contact to permit actuation of a remote electrical signaling device—such as a light on a control panel—when it reaches a predetermined differential pressure. Contact rating is 10 A/115 V/60 Hz.

Cover Vent Valves

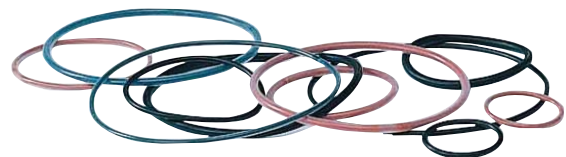
Available in brass or stainless steel, needle type valves, rated for 200 psi at 100 °F, mount on the cover of the strainer with a 1/4" NPT tap.



Duplex basket strainer with drain valve for each chamber and pressure equalization piping.

Drain Valves

These ball type valves, used to drain the strainer housing, are available in brass or stainless steel, rated at 600 psi at 100 °F with either 1/4" or 1/2" NPT connections.



Elastomer Seals

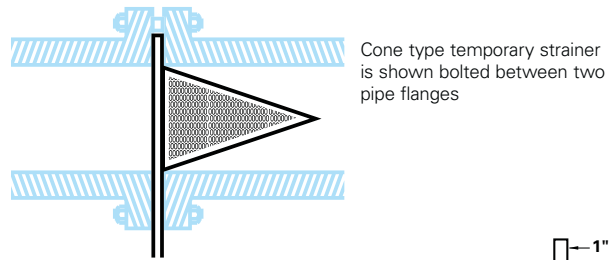
If the standard seals on a pipeline strainer are not suitable for a specific application, Eaton offers a variety of special seals that include EPDM, Viton®, Buna-N, and TFE-encapsulated.

EATON

Powering Business Worldwide

Temporary Strainers

- 2" to 24"
- Flanged
- Stainless Steel or Monel



FEATURES

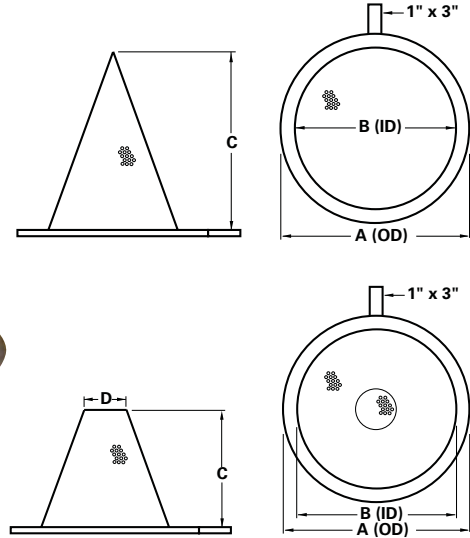
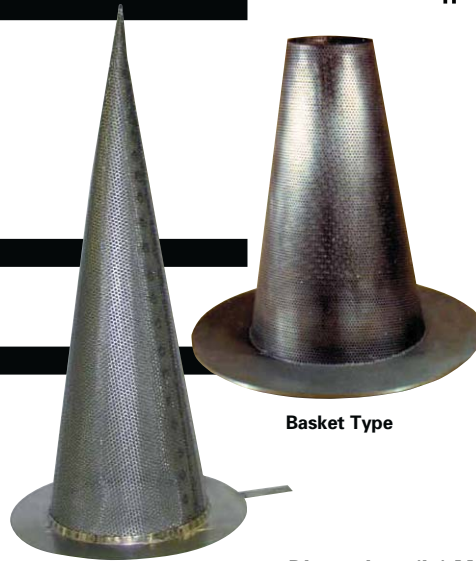
- ANSI Classes 150, 300, and 600
- Perforations from 1/32" to 1/2" diameter
- Mesh Liners of 20, 40, 60, 80, and 100 (best with basket type strainers)
- Stainless steel or Monel construction

OPTIONS

- Alloy construction, RTJ-style connections

DESIGNED FOR USE IN

- New pipeline start-up service
- Line flushing after any modification work



Dimensions (in) Model 92 Cone Type

Pipe Size	A Class 150	A Class 300	A Class 600	B	C
2	3.88	3.88	4.13	1.75	6.0
2-1/2	4.63	4.63	4.88	2.25	7.0
3	5.13	5.13	5.63	2.75	9.0
4	6.63	6.63	6.88	3.50	12.0
5	7.50	7.50	9.25	4.63	14.0
6	8.50	8.50	10.25	5.50	17.0
8	10.75	10.75	12.38	7.13	23.0
10	12.13	13.13	15.50	9.00	27.0
12	15.88	15.88	17.38	10.88	32.0
14	17.50	17.50	19.13	12.63	33.0
16	20.00	20.00	22.00	14.50	39.0
18	21.38	21.38	23.88	16.38	44.0
20	23.63	23.63	26.63	18.38	49.0
24	28.00	28.00	30.88	20.38	58.0

Dimensions (in) Model 92 Basket Type

Pipe Size	A Class 150	A Class 300	A Class 600	B	C	D
2	3.88	3.88	4.13	1.75	3.5	1.0
2-1/2	4.63	4.63	4.88	2.25	4.0	1.0
3	5.13	5.13	5.63	2.75	4.5	1.0
4	6.63	6.63	6.88	3.50	6.0	2.0
5	7.50	7.50	9.25	4.63	7.5	2.0
6	8.50	8.50	10.25	5.50	9.0	2.0
8	10.75	10.75	12.38	7.13	12.0	2.0
10	13.13	13.13	15.50	9.00	14.0	3.0
12	15.88	15.88	17.38	10.88	16.5	3.0
14	17.50	17.50	19.13	12.63	17.0	4.0
16	20.00	20.00	22.00	14.50	19.0	4.0
18	21.38	21.38	23.88	16.38	21.0	6.0
20	23.63	23.63	26.63	18.38	24.0	6.0
24	28.00	28.00	30.88	22.38	28.0	10.0

Eaton
North America – HQ
 44 Apple Street,
 Tinton Falls, NJ 07724

Toll Free: 800 656-3344
 (North America only)

Voice: +1 732 212-4700
 Fax: 952 906-3706

Eaton Brazil
 Voice: +55 11 2465 8822

Eaton China
 Voice: +86-21 5200 0422

Eaton Europe/Africa/Middle East
 Voice: +49-2486-809-0

Eaton Singapore
 Voice: +65 6825 1668

©2013 Eaton Corporation. All Rights Reserved. All trademarks and registered trademarks are the property of their respective owners. Litho USA. All information and recommendations appearing in this brochure concerning the use of products described herein are based on tests believed to be reliable. However, it is the user's responsibility to determine the suitability for his own use of such products. Since the actual use by others is beyond our control, no guarantee, expressed or implied, is made by Eaton as to the effects of such use or the results to be obtained. Eaton assumes no liability arising out of the use by others of such products. Nor is the information herein to be construed as absolutely complete, since additional information may be necessary or desirable when particular or exceptional conditions or circumstances exist or because of applicable laws or government regulations.

For more information, e-mail us at filtration@eaton.com

Visit us online at eaton.com/filtration for a complete list of Eaton's filtration products.