

**CES AND CESD 60 AMPERE FACTORY SEALED  
RECEPTACLES: EXPLOSION-PROOF**

Grounding thru Extra Pole and Shell, Delayed Action CES- Class I, Groups C and D; CESD- Class 1, Group D

**INSTRUCTIONS FOR CES AND CESD SLIDE LOCK RECEPTACLES**

**TO DISASSEMBLE RECEPTACLE**

1. Remove screws (2).
2. Remove screw (4) and washer (5).
3. Rotate terminal holder counter-clockwise.

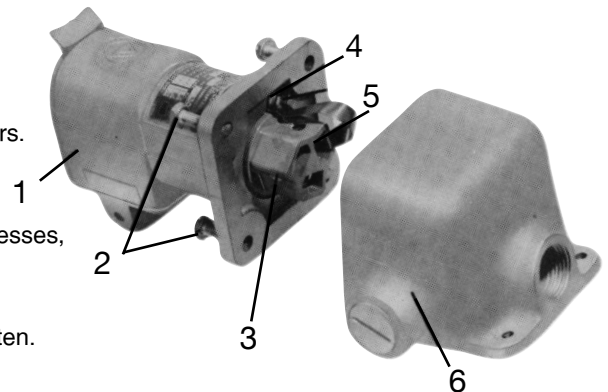
NOTE: Steps 2 and 3 are not required for making connections with conductors.

**TO CONNECT CONDUCTORS TO RECEPTACLES**

1. Strip insulation from ends of individual conductors.
2. Loosen screws (3) and slide prepared ends of conductors into contact recesses, observing proper polarity. Tighten screws .

**TO REASSEMBLE RECEPTACLE**




1. Replace Receptacle housing (1) on Unilet (6), replace screws (2) and tighten.



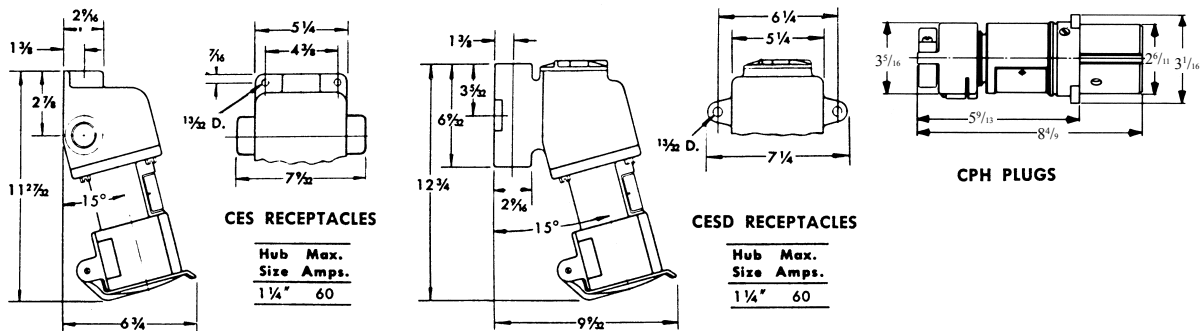
**POLARITY AND PHASE ROTATION**

WARNING: CES/CESD receptacles are polarized so that the plug will enter the receptacle only one way. To reduce the risk of shock or injury, installer must check and test to ensure that all circuits are according to plan and that there are no unwanted opens, shorts or grounds. Do not apply power until the following steps are completed:

1. Test to verify correct phasing and ground connections are made between plug and receptacle terminals.
2. Test insulation resistance by meggering, high voltage or hi-pot test, to be sure the system does not have any short circuits or unwanted grounds.

FOR USE WITH		CPH (60 Amp.)
CPH-6023 B C	CES/CESD-6023	
CPH-6034 B C	CES/CESD-6034	
60 AMP 2W 3P 	60 AMP 3W 4P 	

**DIMENSIONS OF CES AND CESD SLIDE-LOK<sup>®</sup> RECEPTACLES AND CPH PLUGS**



**Using Appleton SLIDE-LOK CES and CESD Plugs and Receptacles**

