

# U-Line™ ECCL/ECC Factory Sealed 20 Amp Cable Connectors

125 Vac, 20 Amp, 1 HP; 250 Vac, 20 Amp, 2HP. Dead-Front Safety Construction.

## NEC/CEC:

Class I, Division 1 and 2, Groups B, C, D

Class II, Division 1 and 2, Groups F, G

Class III

NEMA 3, 3R, 4X, 7BCD, 9FG

## Applications

- Adapter sets for connecting portable devices having ECP U-Line™ Plugs to existing hazardous and non-hazardous receptacles in distant areas.

## Features

- Gasketed spring-loaded cover snaps shut to protect against moisture and combustible dust.
- Gasket in receptacle throat "seals" around plug for environmental protection.
- Interior switch cylinder has O-ring at each end to seal out combustible dust and moisture.
- 2 bushings to accommodate different cable sizes.

## Standard Materials

- Housing: copperfree (4/10ths of 1% max.) aluminum
- O-ring: neoprene



## Standard Finishes

- Epoxy powder coat




## NEC/CEC Certifications and Compliances

- CSA Standard: C22.2 No.25, C22.2 No. 30, C22.2 No. 159
- cCSAus Certified: 038644
- UL Standard: 1203

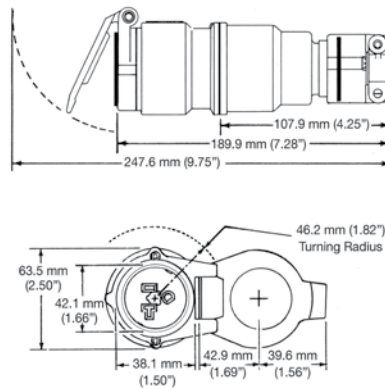
APPLETON™

PLUGS AND RECEPTACLES: NEC/CEC HAZARDOUS LOCATION

## 20 Amp Cable Connectors

	Wire/Pole	Cable Diameter (Inches)	Amps	Catalog Number	
				125 Vac, 1 HP	250 Vac, 2 HP
	2W, 3P	0.538 to 0.639	20	ECCL2023	ECCL20232
	2W, 3P	0.538 to 0.639	20	ECC2023	ECC20232
	NEMA 4X Screw Cover Kit ▼			ULINEREC4XKIT	

## Dimensions in Millimeters (Inches)



▼ NEMA 3, 3R when the spring-loaded cover is installed and closed. NEMA 4X when the screw cover is installed and fully engaged.