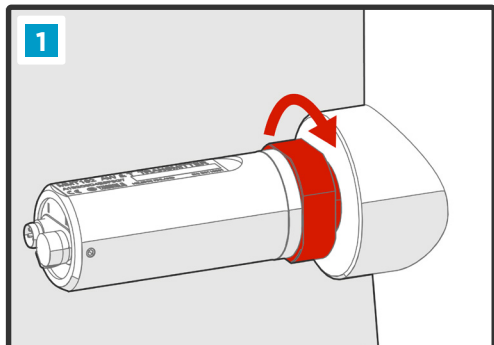


Quick Guide

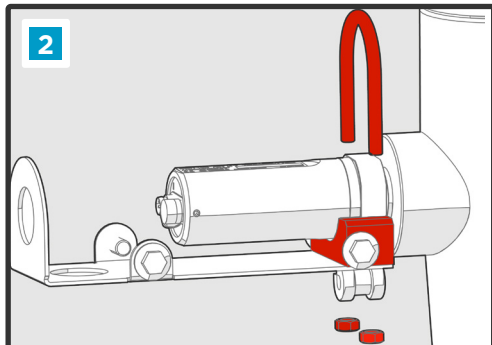
ASM245628SP

MMT162 Weather Shield Installation

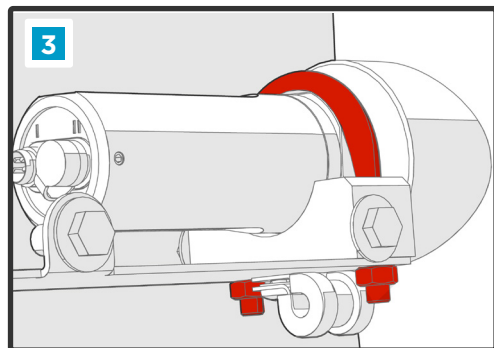
Vaisala HUMICAP® Moisture and Temperature Transmitter for Oil MMT162



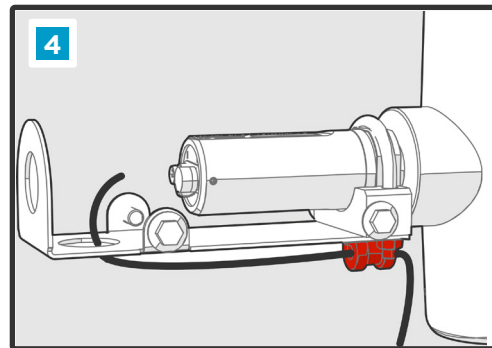
MMT162 must be installed to the process before attaching the weather shield. Tighten only from the 30 mm nut, never from the transmitter body. See MMT162 User's Guide for installation instructions.



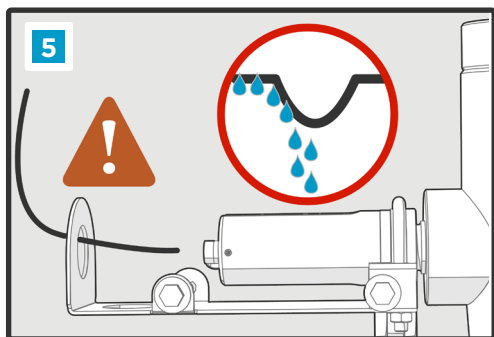
Place the 30 mm nut on MMT162 body on the weather shield's locking base. Lower the locking bar through the locking base and weather shield base.



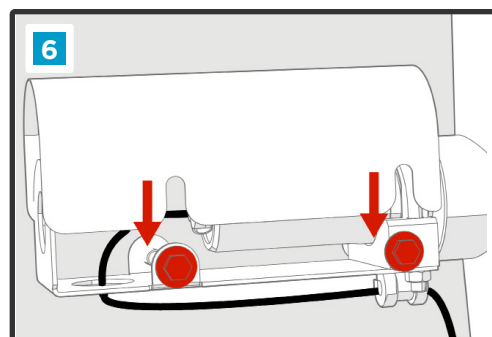
Tighten the nuts on the locking bar to fasten MMT162 to the weather shield base.



When wiring, use the cable clamp on the bottom of the shield base to secure the cable.



If wiring from above, note that moisture can move down along the cable to the connectors. Make sure moisture has no direct downward path to MMT162.



After wiring, insert the grooves of the weather shield cover in the washer nuts and tighten.

Ref.M211892EN-B
© Vaisala 2017. All Rights Reserved.



Vaisala Oyj
Vanha Nurmijärventie 21
FI-01670 Vantaa, Finland

VAISALA

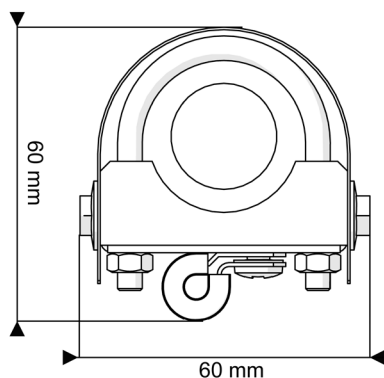
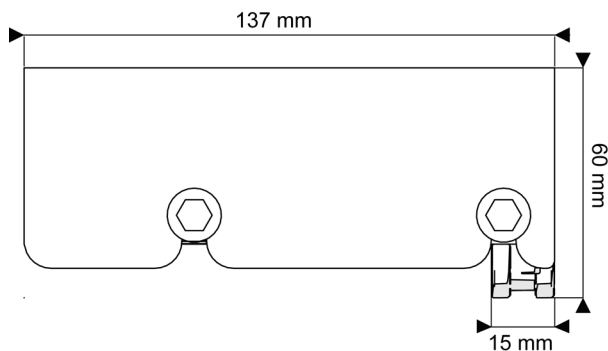
Quick Guide

ASM245628SP

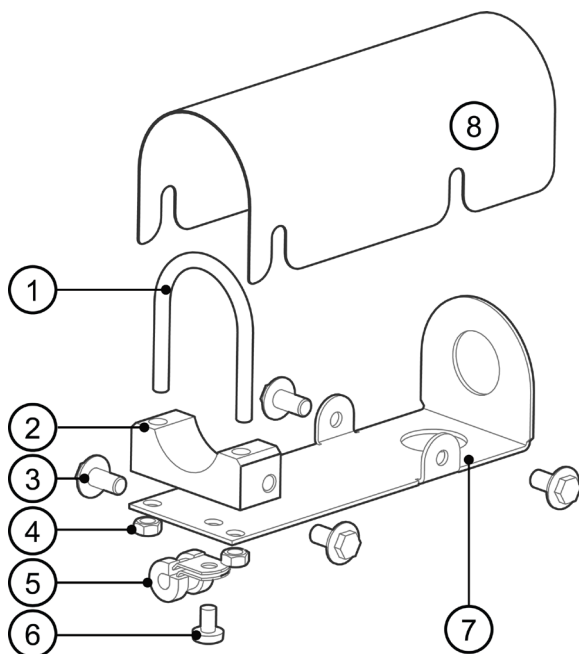
MMT162 Weather Shield Installation

Vaisala HUMICAP® Moisture and Temperature Transmitter for Oil MMT162

Weather Shield Dimensions



Weather Shield Parts



Part List

| | |
|---|--|
| 1 | Locking bar for MMT162 |
| 2 | Locking base for MMT162 |
| 3 | Screw nut and washer (4 pcs, M6x12 ECO-FIX A2 230887) |
| 4 | Nut (2 pcs, M5 DIN 934 A4) |
| 5 | Cable clamp |
| 6 | Phillips screw (1 pcs, M5x8 DIN 7985 A4) |
| 7 | Weather shield base plate |
| 8 | Weather shield cover |



Required tools:

Adjustable or socket wrench
Phillips screwdriver

Ref.M211892EN-B
© Vaisala 2017. All Rights Reserved.



Vaisala Oyj
Vanha Nurmijärventie 21
FI-01670 Vantaa, Finland

VAISALA