

Data Sheet

1379 Duragauge® Pressure Gauge

FEATURES

- Wide selection of bourdon tube materials, pressure connections and pressure ranges
- **PLUS!™** Performance dampens vibration, shock and pulsation effects
- Customizable dial printing options

TYPICAL USES

- Refineries
- Chemical and Petrochemical Plants
- Offshore Oil Rigs
- Water and Wastewater Pressure Control
- Pulp and Water
- Mining and Metals
- Equipment Skids
- Specialized OEM Equipment
- Cryogenics

SPECIFICATIONS

Accuracy:	±0.5% of span (ASME B40.100, Grade 2A)
Sizes:	4½", 6", 8½"
Range:	Vacuum to 100,000 psi
Process Connection Location:	Lower, Back
Process Connection Size:	¼ NPT Male, ½ NPT Male, ⅜-18 UNF-2B (high pressure connection)
Case Style:	Solid front with pressure relief back
Movement:	Rotary, Adjustable
Movement Materials:	400 SS, Teflon® coated pinion gear and segment
Window Material:	Glass (STD.), Acrylic Window (OPT.), Shatterproof Glass (OPT.)
Dial:	Aluminum, white background, black pressure scale
Pointer:	Micrometer Adjustable, Aluminum
Weather Protection:	Dry case: Case not sealed, recommend for weather protected environment only Liquid filled or field fillable: IP66 or NEMA 4X Hermetically sealed: IP66
Dampening Options:	Liquid: glycerin, silicone, Halocarbon®, PLUS!™ Performance
Mounting:	Stem, Surface, Flush
Approvals:	CRN

WETTED COMPONENTS

Bourdon Tube	Process Connection Materials	Joints
316L SS	316L SS	Welded
316L SS	Steel	Welded
K-Monel® 500 Tube	Monel® 400	Welded
C510 Phos. Bronze	Brass	Silver brazed
Iconel®	316L SS(60-1379 only)	Welded



1379
4½", 6", 8½" dial size



KEY BENEFITS

- Uncompromised standards and material integrity
- Rugged aluminum case (black epoxy coated)
- Corrosion resistance in many environments

NON-WETTED COMPONENTS

Case	Ring	Back Cover
Aluminum	Polypropylene	Polycarbonate

MIN/MAX TEMPERATURE LIMITS

Version	Ambient	Process	Storage
Dry	-20°F to 200°F (-29°C to 93°C)	-20°F to 250°F (-29°C to 121°C)	-40°F to 250°F (-40°C to 121°C)
PLUS!™	-40°F to 150°F (-40°C to 66°C)	-40°F to 200°F (-40°C to 93°C)	-40°F to 150°F (-40°C to 66°C)
Glycerin fill	20°F to 150°F (-7°C to 66°C)	20°F to 150°F (-7°C to 66°C)	0°F to 150°F (-18°C to 66°C)
Silicone fill	-40°F to 150°F (-40°C to 66°C)	-40°F to 200°F (-40°C to 93°C)	-40°F to 150°F (-40°C to 66°C)
Halocarbon® fill	-40°F to 150°F (-40°C to 66°C)	-40°F to 200°F (-40°C to 93°C)	-40°F to 150°F (-40°C to 66°C)

Note: Other than discoloration of the dial and hardening of the gasketing that may occur as ambient or process temperatures exceeds 150°F, non-liquid-filled gauges with standard glass windows, can withstand continuous operating temperatures up to 250°F (121°C). Liquid-filled gauges can withstand 200°F (93°C) but glycerin fill and acrylic window will tend to yellow. Accuracy at temperatures above or below the reference ambient temperature of 68°F (20°C) will be affected by approximately 0.4% per 25°F. Gauges with welded joints will withstand 750°F (400°C), 450°F (232°C) with silver brazed joints for short times without rupture, although other parts of the gauge will be destroyed and calibration will be lost. For continuous use and for process or ambient temperatures above 250°F (121°C), a diaphragm seal or capillary or siphon is recommended.

Data Sheet

1379 Duragauge[®] Pressure Gauge

ORDERING CODE	Example:	451379	S	SH	04	L	XLL	15#
Dial Size/Model Code								
451379 - 4½" aluminum case, solid front		451379						
601379 - 6" aluminum case, solid front								
851379 - 8½" aluminum case, solid front								
System (tube and process connection)								
A - Bronze tube, brass process connection, max. pressure connection 1,000 psi								
P - K-Monel [®] 500 tube, Monel [®] 400 process connection, max. pressure 30,000 psi								
R - 316L SS tube, steel process connection, max. pressure 20,000 psi								
S - 316 SS tube, 316L SS process connection, max. pressure 20,000 psi			S					
WW - Inconel [®] 718 tube, Inconel 718 process connection (50,000 to 100,00 psi ranges)								
Case Design								
S - Solid front case, dry								
SH - Solid front case, dry, sealed, hermetically sealed (n/a 8 ½" size)				SH				
SL - Solid front case, liquid filled (glycerin std.)								
Process Connection Sizes								
02 - ¼ NPT Male, N/A for ranges over 20,000 psi					04			
04 - ½ NPT Male, N/A for ranges over 20,000 psi								
09 - ¾ 18 UNF-2B, high pressure fitting, standard for pressures over 20,000 psi								
Process Connection Location								
L - Lower						L		
B - Back								
D - Side (3 o'clock)								
E - Side connection (9 o'clock)								
T - Top connection								
Options (If choosing an option(s) must include a "X")								
								X
Dampening								
LL - PLUS! [™] Performance								LL
NZ - PLUS! [™] Performance Silicone Free								
GV - Silicone case fill								
GX - Halocarbon [®] case fill								
TS - Throttle screw (standard with liquid filled, hermetically sealed or PLUS! [™] Performance)								
Case/Ring/Dial								
56 - Flush mounting ring								
BF - Surface mounting bracket								
TM - 2" pipe mounting bracket (4½" dial size only)								
D3 - DuraVis [™] Retroreflective Dial (4½" and dry case only)								
DA - Dial marking (text marking on the dial)								
Windows/Pointers								
PD - Acrylic window (standard with liquid filled or hermetically sealed cases)								
SG - Safety glass								
NG - Non-glare glass (4½" and 6" cases only, N/A with liquid fill or hermetically sealed cases)								
EP - Maximum pointer (adjustable, N/A with liquid filled or hermetically sealed cases)								
SH - Red set hand, stationary								
Other								
6B - Cleaned for gaseous oxygen service								
NH - Stainless Steel tag wired to case								
AB - Gauges calibrated to compensate for absolute pressure								
OS - Overload stop								
VS - Underload stop								
HY - Hydrostatic/pneumatic testing (system pressurized to 150% of rated system pressure for 5 minutes. Overload stop standard.)								
C4 - Individual calibration chart (in accordance with ASME B40.100:2013. Accuracy traceable to N.I.S.T)								
Range (coding examples only, see range table on page 3 for all standard ranges)								
Single Scales								
15# - 15 psi								15#
1BR - 1 bar								
1KSC - 1 kilograms per sq. cm								
100KP - 100 kilopascal								
Dual Scales								
15#/BR - 15 psi inner scale, 1 bar outer scale								
1BR/# - 1 bar inner scale, 15 psi outer scale								

1379 Duragauge[®] Pressure Gauge

STANDARD PRESSURE RANGES					
	psi	bar	kPa	mPa	kg/cm ²
Vacuum	30IMV	N1BR	N100KP	N1MP	N1KG
	-	N1/0.6BR	N100/60KP	0.1/0.06MP	N1/0.6KG
Compound	V/15#	-	-	-	-
	-	N1/1.5BR	N100/150KP	N0.1/0.15MP	N1/1.5KG
	V/30#	-	-	-	-
	-	N1/3BR	N100/300KP	N0.1/0.3MP	N1/3KG
	V/60#	-	-	-	-
	-	N1/5BR	N100/500KP	N0.1/.5MP	N1/5KG
	V/100#	-	-	-	-
	-	N1/9BR	N100/900KP	N0.1/.9MP	N1/9KG
	15#	1BR	100KP	0.1MP	1KG
	20#	-	-	-	-
Positive Pressure	-	1.6BR	160KP	0.16MP	1.6KG
	30#	-	-	-	-
	-	2.5BR	250KP	0.25MP	2.5KG
	60#	4BR	400KP	0.4MP	4KG
	-	6BR	600KP	0.6MP	6KG
	100#	-	-	-	-
	120#	-	-	-	-
	-	10BR	1000KP	1MP	10KG
	160#	-	-	-	-
	200#	-	-	-	-
	-	16BR	1600KP	1.6MP	16KG
	300#	-	-	-	-
	-	25BR	2500KP	2.5MP	25KG
	400#	-	-	-	-
	500#	-	-	-	-
	600#	40BR	4000KP	4MP	40KG
	800#	-	-	-	-
	-	60BR	6000KP	6MP	60KG
	1000#	-	-	-	-
	1500#	100BR	10000KP	10MP	100KG
	2000#	-	-	-	-
	-	160BR	16000KP	16MP	160KG
	3000#	-	-	-	-
	-	250BR	25000KP	25MP	250KG
	4000#	-	-	-	-
	5000#	-	-	-	-
	6000#	400BR	40000KP	40MP	400KG
	8000#	-	-	-	-
	-	600BR	60000KP	60MP	600KG
	10000#	-	-	-	-
15000#	1000BR	100000KP	100MP	1000KG	
20000#	-	-	-	-	
-	1600BR	-	160MP	1600KG	
30000#	-	-	-	-	
-	2500BR	-	250MP	2500KG	
50000#	-	-	-	-	
-	4000BR	-	400MP	4000KG	
80000#	-	-	-	-	
-	6000BR	-	600MP	6000KG	
100000#	-	-	-	-	

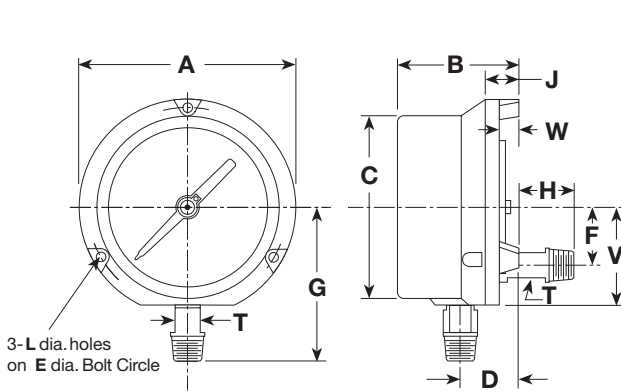
Data Sheet

1379 Duragauge® Pressure Gauge

DIMENSIONS in [] are millimeters

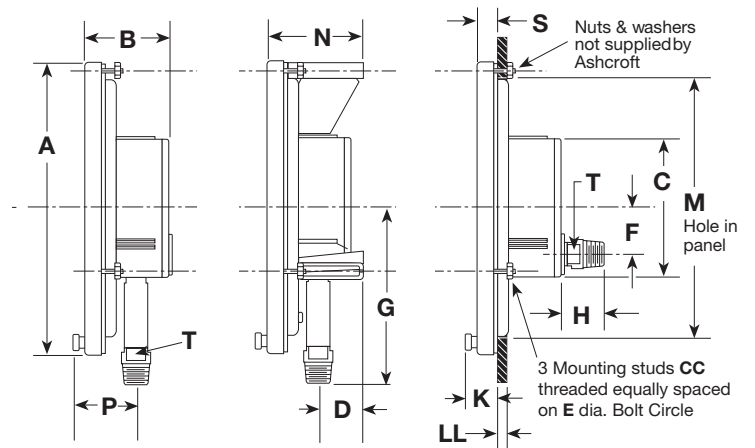
For reference only, consult Ashcroft for specific dimensional drawings

Dial Size Inches	A	B	C	CC	D	E	F	G	H	J	K	L	LL	M	N	P	S	T	V	Weight (lbs)
4½	5¼ [148]	3¾ [86]	4¾ [124]		1¾ [41]	5¾ [137]	1½ [42]	3¼ [100]	¾ [20]	1/16 [27]		0.218 [6]	⅜ - ½ [3] [13]			2½ [54]		⅝ [16]	2⅝ [67]	2.5 (Dry) 3.5 (L.F.)
6	7¾ [192]	3½ [89]	6⅝ [162]		1¾ [41]	7 [178]	1½ [42]	4½ [114]	¾ [20]	1/16 [27]		0.218 [6]	⅜ - ½ [3] [13]			2½ [54]		⅝ [16]	2⅝ [67]	3.0 (Dry) 4.0 (L.F.)
8½	10¼ [256]	2⅞ [73]	4¾ [121]	#10-24	1¼ [27]	9⅝ [244]	1⅝ [41]	6 [152]	1¾ [35]		1/16 [27]		⅜ - ½ [3] [13]	9 [228]	3.19 [80.9]		1/16 [17]			4.5 (Dry) 5.5 (L.F.)



4½" & 6" Lower Conn.

4½" & 6" Back Conn.



8½" Lower Conn.

8½" Wall Conn.

8½" Back Conn.

Type 1278M Series Flush Mounting Ring

Used to flush mount gauge case. Standard finish in black; optional polished stainless steel finish is available.

Gauge Size Inches	Ring O.D.	"A" DIA.	"B" Size of 3 Screws	"C" Size of Washers	Spacer
4½	6 [152]	5⅝ [148]	#10-24 x 1⅝	7/16 x 17/64 x ⅝	1
6	7¾ [197]	7¾ [185]	#¼ -20 x 1	17/64 x ½ x 1/16	1⅜

