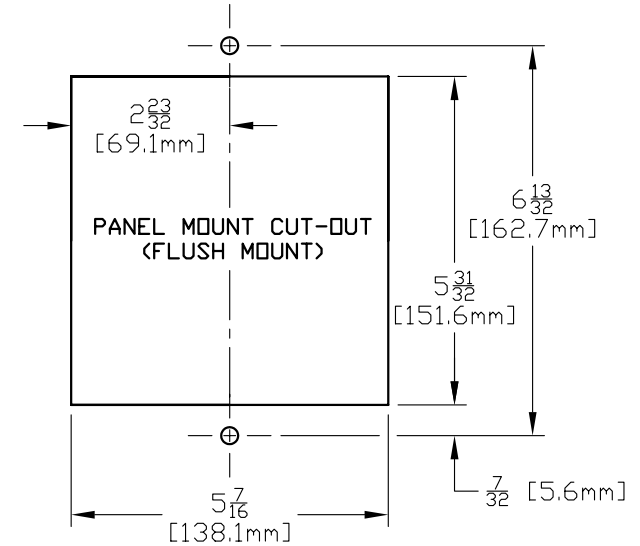
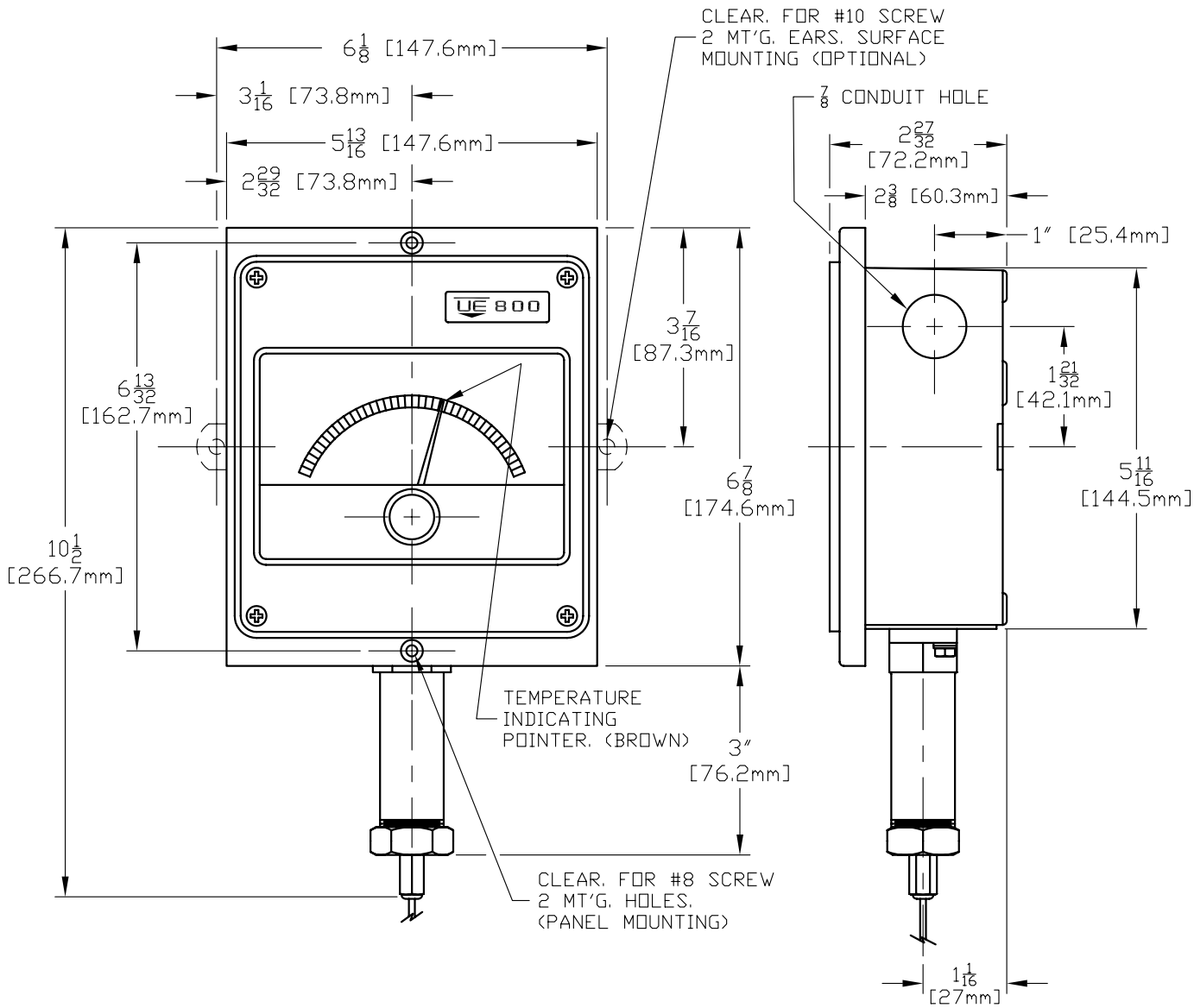


UL LISTED, CSA CERTIFIED  
NEMA 1  
I & M SHEET IM800



8BC	8BS	50 TO 650	10 TO 343.3
7BC	7BS	0 TO 400	-17.8 TO 204.4
6BC	6BS	0 TO 250	-17.8 TO 121.1
5BC	5BS	-40 TO 180	-40 TO 82.2
4BC	4BS	-40 TO 120	-40 TO 48.9
3BC	3BS	-125 TO 500	-87.2 TO 260
2BC	2BS	-125 TO 350	-87.2 TO 176.7
1BC	1BS	-180 TO 120	-117.8 TO 48.9
MODEL NO.		°F	°C
ADJUSTABLE RANGE			

SYM	DESCRIPTION	DATE	DWN	APPD
N	REVISED °C TABLE. DELETED MODEL M9B FROM TABLE. ECN#E1422	10-25-05	SR	HN
M	UPDATED NOTE #2 ON 'M' DW'G. ECN#C3917	12-7-94	A.E.	J.M.
L	REDRAWN. UPDATED 'M' DRAWING & P.L. TO MATCH WITH BOM. ECN#C3319	8-15-94	P.W.	J.M.

REVISIONS

ORIGINAL DATE	8-27-71
DRWN	PAUL DeCOST
CHKD	A.J. MUSTO Jr.
APPD	J.S. MACHADO

UNLESS OTHERWISE SPECIFIED  
DIMENSIONS ARE IN INCHES

DO NOT SCALE THIS DRAWING

TITLE  
T800

SCALE 0.375:1



UNITED ELECTRIC  
CONTROLS COMPANY  
WATERTOWN \* MASSACHUSETTS

DWG NO  
A-10979

DF001D