



DM 10

Battery Powered Digital Pressure Gauge

Ceramic Sensor

class 0.5

Nominal pressure

from 0 ... 1.6 bar up to 0 ... 250 bar

Special characteristics

- ▶ rotatable housing and display
- ▶ LC display
4.5-digit 7-segment display
- ▶ standard battery CR 2450
operation period > 1.800 h

Functions

- ▶ min / max function with reset function
- ▶ auto-zero
- ▶ setting of pressure unit
(bar, mbar, psi, MPa, mH₂O)
- ▶ automatic switch-off configuration

The compact low-cost digital pressure gauge DM 10 is battery-powered and has an adjustable housing; it is thus extremely suitable for mobile pressure monitoring. The 4.5-digit LC-display indicates the battery status, the measurement value as well as the unit, this enables a fast and precise reading.

It is possible to switch between the most common units (bar, psi, Pa, MPa). Additional functions as auto-zero, min / max values and an automatic switching-off complete the DM 10 profile.

Preferred areas of use are



Mobile Pressure Monitoring
Plant and Machine Engineering
Pneumatics / Hydraulics



Environmental Engineering
(water – sewage – recycling)



Input Pressure													
Nominal pressure gauge [bar]	1.6	2.5	4	6	10	16	25	40	60	100	160	250	
Overpressure [bar]	4	4	10	10	20	40	40	100	100	200	400	400	
Burst pressure [bar]	7	7	15	15	35	70	70	150	150	250	450	450	
Vacuum resistance	unlimited												

Performance	
Accuracy ¹	≤ ± 0.5 % FSO BFSL
Measuring rate	1/sec
Long term stability	≤ ± 0.3 % FSO / year

¹ accuracy according to IEC 60770 – minimum value setting (non-linearity, hysteresis, repeatability)

Thermal effects (Offset and Span)	
Tolerance band	≤ ± 0.5 % FSO / 10 K (typ.) in compensated range 0 ... 50 °C

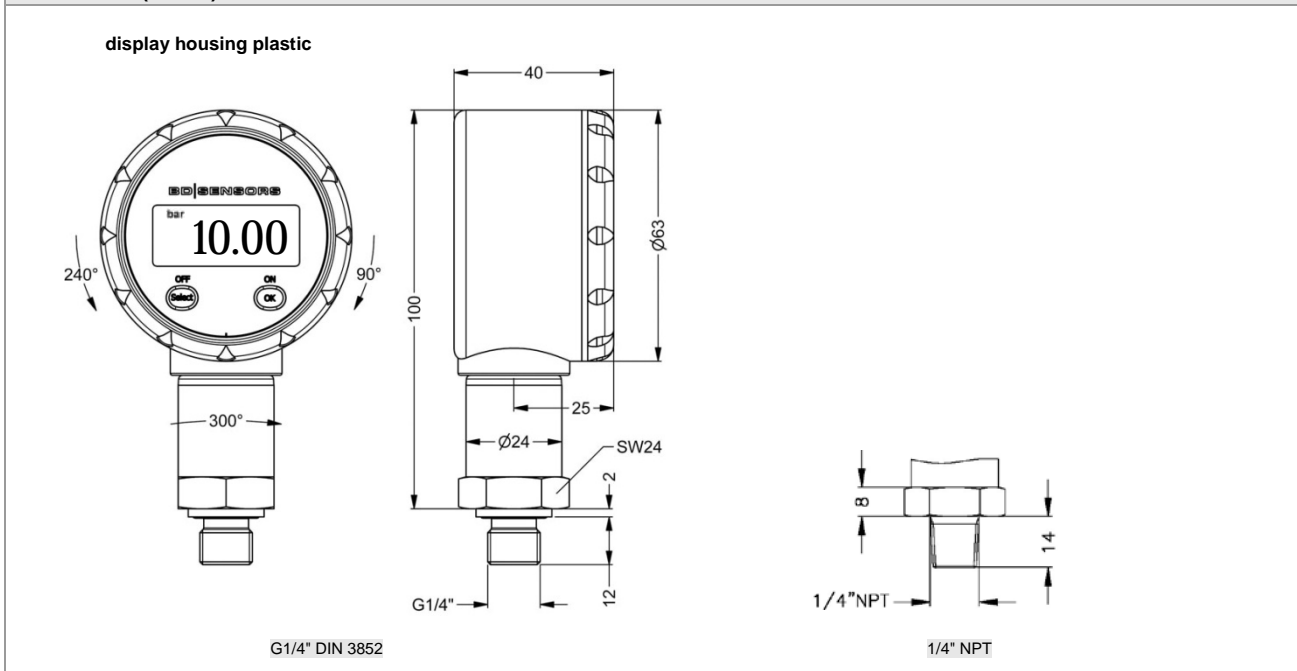
Permissible temperatures	
Permissible temperatures	medium: -25 ... 85 °C environment: 0 ... 70 °C storage: 0 ... 70 °C

Materials	
Pressure port / housing	stainless steel 1.4301 (304)
Display housing	PA 6.6, Polycarbonate
Seals (media wetted)	FKM others on request
Diaphragm	ceramics Al ₂ O ₃ 96 %
Media wetted parts	pressure port, seals, diaphragm

Miscellaneous	
Display	LC-Display, visible range 36 x 15 mm; 4.5-digit 7-segment-display, digit size 8.5 mm, range of indication ±1999
Electromagnetic compatibility	emission and immunity according to EN 61326
Supply	3 V lithium battery (CR 2450)
Data storage	EEPROM (non-volatile)
Ingress protection	IP 65
Installation position	any
Weight	plastic: approx. 150 g
Operational life of battery	min. 1500 h with permanent operation
Mech. operational life	> 100 x 10 ⁶ pressure cycles
CE-conformity	EMC directive 2014/30/EU pressure equipment directive: 2014/68/EU (Modul A) ²

²This directive is only valid for devices with maximum permissible overpressure > 200 bar.

Dimensions (in mm)



© 2016 BD|SENSORS GmbH – The specifications given in this document represent the state of engineering at the time of publishing. We reserve the right to make modifications to the specifications and materials.

Ordering code DM 10

DM 10

[]	[]	[]	-	[]	[]	[]	-	0	-	[]	-	0	K	0	-	[]	[]	-	[]	-	[]	[]	-	[]	[]	-	[]	[]	-	[]	[]
-----	-----	-----	---	-----	-----	-----	---	---	---	-----	---	---	---	---	---	-----	-----	---	-----	---	-----	-----	---	-----	-----	---	-----	-----	---	-----	-----

Pressure		
gauge	M 0 4	
Input		
[bar]		
1.6	1 6 0 1	
2.5	2 5 0 1	
4.0	4 0 0 1	
6.0	6 0 0 1	
10	1 0 0 2	
16	1 6 0 2	
25	2 5 0 2	
40	4 0 0 2	
60	6 0 0 2	
100	1 0 0 3	
160	1 6 0 3	
250	2 5 0 3	
customer	9 9 9 9	consult
Accuracy		
[BFSL]		
0.5 %	B 8	
customer	9 9	consult
Mechanical connection		
G1/4" DIN 3852		3 0 0
1/4" NPT		N 4 0
customer		9 9 9
		consult
Seals		
FKM		1
customer		9
		consult
Pressure port		
Stainless steel 1.4301 (304)		2
customer		9
		consult
Diaphragm		
Ceramics Al ₂ O ₃ 96%		2
customer		9
		consult
Front foil		
standard		1
neutral		N
customer		9
		consult
Special version		
standard		0 0 0
customer		9 9 9
		consult

© 2015 BD|SENSORS GmbH - The specifications given in this document represent the state of engineering at the time of publishing. We reserve the right to make modifications to the specifications and materials.

01.06.2013



BD|SENSORS GmbH
 BD-Sensors-Straße 1
 D - 95199 Thierstein

Tel. +49 (0) 9235 / 98 11 - 0
 Fax +49 (0) 9235 / 98 11 - 11

www.bdsensors.de
 www.bdsensors.com
 info@bdsensors.de