

Filter Cartridge Housing BECO INTEGRA® CART KA Range

Eaton's BECO INTEGRA CART cartridge housings are manufactured of stainless steel AISI 316L and can be applied within the filtration of liquids in the food and beverage industry. This series is available as a 1-, 3-, 5-, 8-, 12-, 18-, 24- and 30-fold cartridges version for sterile filtration or prefiltration purposes. These housings are ATEX certified.

Special Features

- ATEX certified
- The application of material AISI 316L avoids corrosion even at long term use
- High safety by application of code 7 adapters (double-leaf bayonet locking)
- The Optimized design allows thorough and quick cleaning
- Low product loss thanks to compact design
- Resistant to hot water or steam sterilization

Application

All BECO INTEGRA CART cartridge housings (1 to 30-fold) are designed for the filtration of media of fluid group 2 according to Pressure Equipment Directive PED 2014/68/EU. A variety of different housing heights between 10" and 20" or 30" and 40" allows a perfect adaptation of the housing size to product volume to be filtered. This reduces product loss to a minimum. An optimized filtrate chamber design and special filter surface finish provide very easy cleaning and sterilization.

The BECO INTEGRA CART cartridge housings are suitable for applications with Eaton's BECO® pre-filter cartridges and BECO membrane filter cartridges.

Other variations and further components for expansion to complete systems are available on request and would be customized according to specification.

Technical Data

Max. permissible operating pressure and temperature:	-4 to 104°F: max. 145 psi at 302°F: max. 58 psi (-20 to 40°C: max. 10 bar at 150°C: max. 4 bar)
---	--



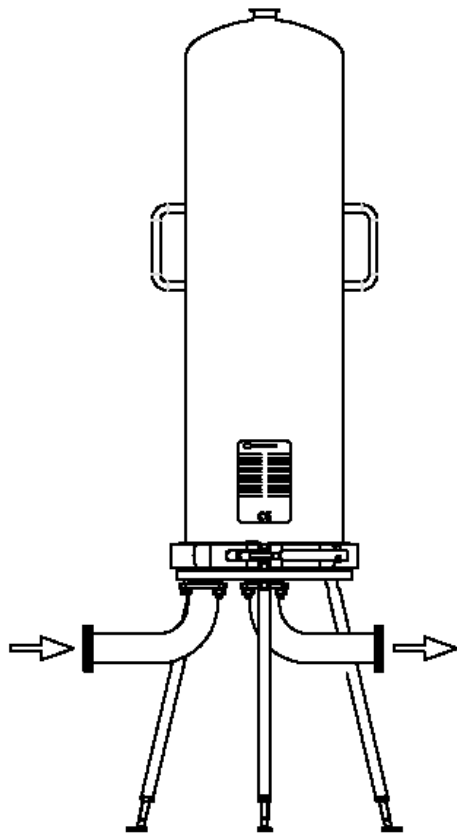
KA housing:
1 to 8 filter cartridges
(quick closure)

KA housing:
12 to 30 filter cartridges
(clamp screws)

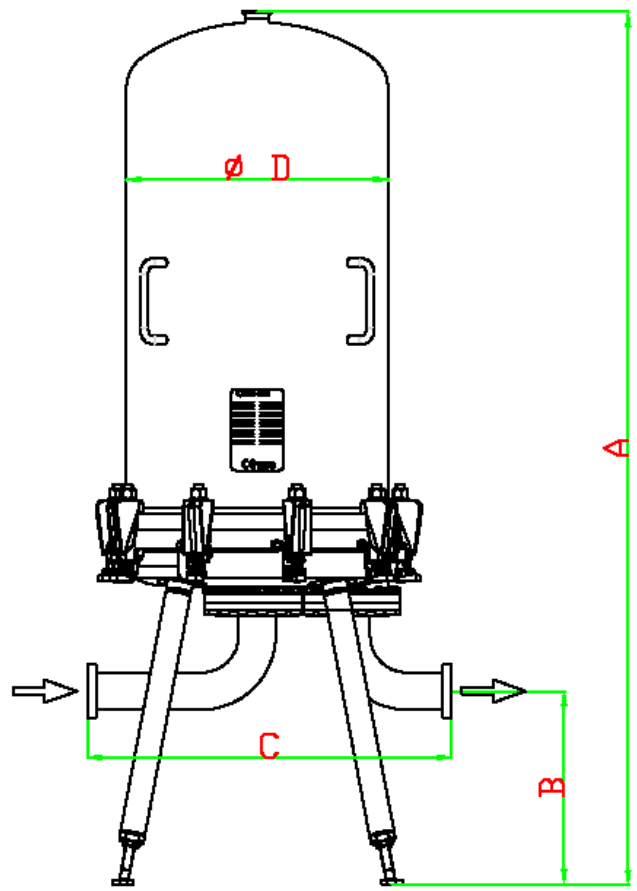
Product contacting parts:	Stainless steel AISI 316L
Gaskets:	Silicone (EPDM, Viton available upon request)
Housing suitable for:	Media of fluid group 2 according to PED 2014/68/EU
ATEX classification:	II 2 GD IIC
Housing connection:	Threaded male connection acc. to DIN 11851 (others available upon request)
Housing closure:	1 – 8 fold: quick closure 12 – 30 fold: clamp screws
Vent connection:	TC connection 1,5"
Drain:	None (solutions available upon request)
Fittings:	Vent and drain units are available at special request.

Article No.	Qty	Cartr. length	Dimensions in (mm)				Connections DIN11851 In-/Outlet	Volume gal (l)	Weight lb (kg)	Perm. pressure psi (bar) at up to 302 °F (150 °C)	Perm. pressure psi (bar) at -4 to 104 °F (-20 to 40 °C)
			in	A	B	C					
KA137X25	1	30	51.34 (1,304)	15 (381)	8.7 (220)	4.0 (102)	DN 25	1.77 (6.7)	20.7 (9.4)	58 (4.0)	145 (10)
KA147X25	1	40	61.18 (1,554)	15 (381)	8.7 (220)	4.0 (102)	DN 25	2.27 (8.6)	23.4 (10.6)	58 (4.0)	145 (10)
KA337X40	3	30	52.28 (1,328)	13.6 (345)	13.8 (351)	6.6 (168)	DN 40	4.70 (17.8)	47.2 (21.4)	58 (4.0)	145 (10)
KA347X40	3	40	62.13 (1,578)	13.6 (345)	13.8 (351)	6.6 (168)	DN 40	6.10 (23.1)	51.6 (23.4)	58 (4.0)	145 (10)
KA537X50	5	30	52.95 (1,345)	12.4 (315)	16.7 (423)	8.6 (219)	DN 50	7.69 (29.1)	48.5 (22)	58 (4.0)	145 (10)
KA547X50	5	40	62.80 (1,595)	12.4 (315)	16.7 (423)	8.6 (219)	DN 50	10.09 (38.2)	52.9 (24)	58 (4.0)	145 (10)
KA837X50	8	30	53.74 (1,365)	12.4 (315)	17.7 (449)	10.8 (273)	DN 50	13.13 (49.7)	72.8 (33)	58 (4.0)	145 (10)
KA847X50	8	40	63.58 (1,615)	12.4 (315)	17.7 (449)	10.8 (273)	DN 50	16.88 (63.9)	79.4 (36)	58 (4.0)	145 (10)
KA123765	12	30	57.68 (1,465)	12.8 (326)	21.5 (547)	13.8 (350)	DN 65	23.25 (88)	145.5 (66)	58 (4.0)	145 (10)
KA124765	12	40	67.52 (1,715)	12.8 (326)	21.5 (547)	13.8 (350)	DN 65	29.59 (112)	154.3 (70)	58 (4.0)	145 (10)
KA183765	18	30	58.11 (1,476)	12.8 (325)	23.8 (604)	15.8 (400)	DN 65	30.38 (115)	149.9 (68)	58 (4.0)	145 (10)
KA184765	18	40	67.95 (1,726)	12.8 (325)	23.8 (604)	15.8 (400)	DN 65	38.57 (146)	163.1 (74)	58 (4.0)	145 (10)
KA243780	24	30	59.25 (1,505)	13.0 (331)	25.0 (634)	17.7 (450)	DN 80	39.89 (151)	231.5 (105)	58 (4.0)	145 (10)
KA244780	24	40	69.02 (1,753)	13.0 (331)	25.0 (634)	17.7 (450)	DN 80	50.19 (190)	251.3 (114)	58 (4.0)	145 (10)
KA303780	30	30	59.45 (1,510)	13.0 (331)	29.1 (740)	21.7 (550)	DN 80	62.08 (235)	240.3 (109)	58 (4.0)	145 (10)
KA304780	30	40	69.29 (1,760)	13.0 (331)	29.1 (740)	21.7 (550)	DN 80	77.40 (293)	257.9 (117)	58 (4.0)	145 (10)

BECO INTEGRA CART KA filter cartridge housings with quick closure and with clamp screws



1 to 8 fold cartridge housing
(design with quick closure)



12 to 30 fold cartridge housing
(design with clamp screws)

North America
44 Apple Street
Tinton Falls, NJ 07724
Toll Free: 800 656-3344
(North America only)
Tel: +1 732 212-4700

China
No. 3, Lane 280,
Linhong Road
Changning District, 200335
Shanghai, P.R. China
Tel: +86 21 5200-0099

Europe/Africa/Middle East
Auf der Heide 2
53947 Nettersheim, Germany
Tel: +49 2486 809-0

Friedensstraße 41
68804 Altlußheim, Germany
Tel: +49 6205 2094-0

An den Nahewiesen 24
55450 Langenlonsheim, Germany
Tel: +49 6704 204-0

Singapore
100G Pasir Panjang Road #07-08
Singapore 118523
Tel: +65 6825-1668

Brazil
Rua Clark, 2061 - Macuco
13279-400 - Valinhos, Brazil
Tel: +55 11 3616-8400

**For more information, please
email us at filtration@eaton.com
or visit www.eaton.com/filtration**

EN
1 A 7.2.6
03-2018

© 2018 Eaton. All rights reserved. All trademarks and registered trademarks are the property of their respective owners. All information and recommendations appearing in this brochure concerning the use of products described herein are based on tests believed to be reliable. However, it is the user's responsibility to determine the suitability for his own use of such products. Since the actual use by others is beyond our control, no guarantee, expressed or implied, is made by Eaton as to the effects of such use or the results to be obtained. Eaton assumes no liability arising out of the use by others of such products. Nor is the information herein to be construed as absolutely complete, since additional information may be necessary or desirable when particular or exceptional conditions or circumstances exist or because of applicable laws or government regulations.