

WST and WDS Cast Aluminum Enclosed Disconnect Switches

600 Vac, 600 Vdc, 30, 60, 100 Ampere, Fused and Non-fused.

NEC – WST:
NEMA 3, 3R, 4, 4X, 12

CEC – WDS:
NEMA 3, 4X, 5

Applications

- For heavy duty applications where a heavy duty switch is required for disconnecting motors, lighting, or power circuits.
- The WST and WDS can be used to control power to fixed electrical equipment such as:
 - Welders
 - Generators
 - Compressors
 - Infrared ovens
 - Batch feeders
 - Conveyors
 - Truck terminals
 - Marine docks
- Ideally suited for use in:
 - Automotive and steel processing plants
 - Pulp and paper processing plants
 - Milk processing plants and creameries
 - Fabrication yards and shipyards
 - Refrigerated truck terminals
 - Other industrial plant applications

Features

- Gasketed design allows use in raintight or watertight non-hazardous applications.
- Epoxy powder coated inside and outside to withstand corrosive environments.
- Offers the latest in switch technology:
 - An operating mechanism designed to endure at least three times the number of operations required by NEMA and UL standards
 - Modular componentry designed for quick and easy maintenance
 - Visible blades for an extra measure of safety while the low mass cam allows greater blade operating speed and reduced mechanical wear.
- Insulated, dual-color polymer operating handle clearly indicates the switch being energized. Ergonomically designed handle is made of high-impact polymer material for exceptional ruggedness, durability and corrosion resistance.
- Short circuit withstand rated to 200,000 RMS symmetrical amperes (Class R, J Fusing).
- Class R fusing standard on fusible units. Product can be retrofitted with Class J, K, or S fusing.
- Stainless steel captive cover bolts for easy access and corrosion resistance.
- Removable hinged cover for ease of installation and maintenance.
- Conduit entries are drilled and tapped to 1-1/2". Reducer bushings 1-1/2" – 1-1/4" and 1-1/2" – 1" provided at no extra charge.
- Stainless steel key-hole mounting feet for easy installation.
- Unit is equipped with defeatable door interlock which allows emergency access when switch is energized.
- Cover can be padlocked closed.
- Operating handle can be locked in the OFF position with provision to lock in ON position.
- Not intended for use as a service disconnect (i.e., neutrals not available).



WST



WDS

Standard Materials

- Enclosure: copperfree (4/10 of 1% max.) aluminum
- WST operating handle: high impact polymer
- WDS operating handle: cast aluminum
- Hardware: stainless steel

Standard Finishes

- Enclosure: epoxy powder coating inside and outside

Options

Must be listed in alphanumeric sequence at the end of the catalog number.

- WDS one normally opened, one normally closed auxiliary switch, add suffix **-AUX**.

NEC/CEC Certifications and Compliances

- WST:
 - UL Standard: 98
 - UL Listed: E160652
- WDS:
 - CSA Standard: C22.2 Nos. 0.4, 0.5, 4, 25, 94
 - CSA Certified: LR39569

WST Cast Aluminum Enclosed Disconnect Switches

600 Vac, 600 Vdc, 30, 60, 100 Ampere, Fused and Non-fused.

NEC:
NEMA 3, 3R, 4, 4X, 12

WST Disconnect Switch in Cast Aluminum Enclosure

Type	Amp Rating	HP at 600 Vac		HP at 600 Vdc		Catalog Number
		Std/Max 3-Phase	Std/Max	Std/Max	Std/Max	
Fused <i>(fuses not included)</i>	30	7.5/20	10/15	WST3035		
	60	15/50	25/30	WST6035		
	100	30/75	40/50	WST10035		
Non-Fused	30	-/30	-/15	WST30354		
	60	-/60	-/30	WST60354		
	100	-/75	-/50	WST10354		

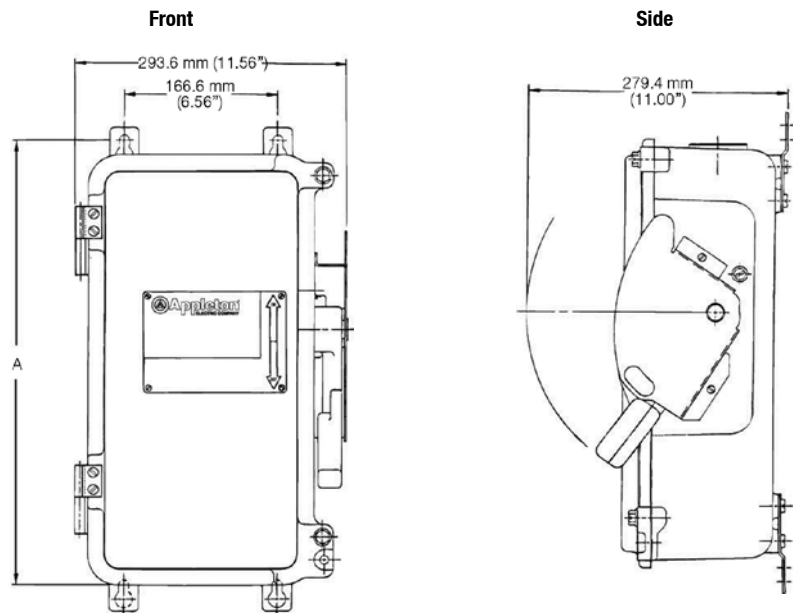


Auxiliary Contact for WST Disconnect Switch

Catalog Number	Interlock Type	Vac, 50 or 60 Hz				Vdc		
		Volts	Amps/ Make	Amp/ Break	Amps/ Cont.	Volts	Amps/ Make and Break	Amps/ Cont.
WSAUX1	1 NO/1 NC Contact	120	40.0	15.00	15	115	0.50	15
		240	20.0	10.00	15	230	0.25	15
		480	10.0	6.00	15	—	—	—
		600	8.0	5.00	15	600	0.05	15
WSAUX2	2 NO/2 NC Contact	120	30.0	3.00	10	115	1.00	10
		240	15.0	1.50	10	230	0.30	10
		600	6.0	0.60	10	600	0.10	10

Dimensions in Millimeters (Inches)

Catalog Number	A
WST3035	489.0 (19.25)
WST30354	489.0 (19.25)
WST6035	489.0 (19.25)
WST60354	489.0 (19.25)
WST10035	489.0 (19.25)
WST10354	581.2 (22.88)



DISTRIBUTION EQUIPMENT: NEC/CEC WEATHERPROOF SWITCHES

APPLETON


WDS Cast Aluminum Enclosed Disconnect Switches

600 Vac, 600 Vdc, 30, 60, 100 Ampere, Fused and Non-fused. With Breaker or Disconnect. Watertight Switch.

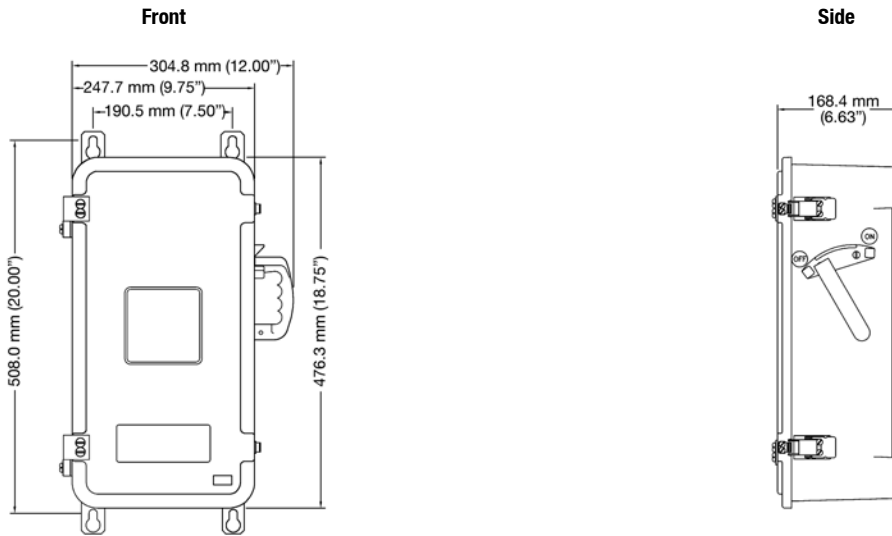
CEC:
NEMA 3, 4X, 5

DISTRIBUTION EQUIPMENT: NEC/CEC WEATHERPROOF SWITCHES

WDS Cast Aluminum Enclosure

	Amp Rating	NF–Non–Fused	HP at 600 Vac 3–Phase	Catalog Number	
				Aux. Contacts ① 1 or 2 NO/NC	Without Viewing Window
	30	NF	25	WSAUX1 or 2	WDS3034-NF
	60	NF	60	WSAUX1 or 2	WDS6034-NF
	100	NF	75	WSAUX1 or 2	WDS1034-NF

Dimensions in Millimeters (Inches)



① Auxiliary contacts ordered separately for field installation