

# AEB Series Bolted Motor Starters and Contactors

## Explosionproof, Dust-Ignitionproof, Watertight

Full Voltage. Combination and Non-Combination.

### NEC/CEC:

Class I, Division 1 and 2, Groups B, C, D  
Class I, Zone 1 and 2, Groups IIB + H<sub>2</sub>  
Class II, Division 1 and 2, Groups E, F, G  
Class III

### NEC/CEC:

NEMA 4, 4X, 7BCD, 9EFG  
CSA Type 4, 4X

### Application

- Combination and non-combination motor starters are used in areas where hazardous materials are handled or stored.
- These units provide disconnecting means, undervoltage protection, circuit protection, and motor running protection.

### Features

- Copperfree cast aluminum.
- Precision machined flame path between box and cover.
- Bolt on slotted mounting feet.
- Stainless steel, captive Quad-Lead® cover bolts (disengage in 1-1/2 turns).
- External stainless steel breaker operating handle.
- Ground lug package and installation instructions for termination of ground wire enclosed.
- Four point control terminal block, NEMA 1B with wire markers.
- Breaker operators can be locked in the ON or OFF position (combination starters only).
- Four plugged 3/4" NPSM outlets drilled and tapped for control devices.
- Standard outlets top and bottom.
- Plugged 1/2" outlets top and bottom for optional breather/drain.
- Components are mounted on a galvanized steel removable pan.
- Enclosures are designed to accept Cutler-Hammer <sup>+</sup>, or Square D <sup>■</sup> motor starters/circuit breakers. For other manufacturers, contact your local representative.
- O-ring gasket insures watertight integrity.

### Standard Materials

- Bodies and covers: copperfree (4/10 of 1%) aluminum
- Block hinges, cover bolts, handle, breaker and operator shafts: stainless steel
- O-ring: neoprene

### Standard Finish

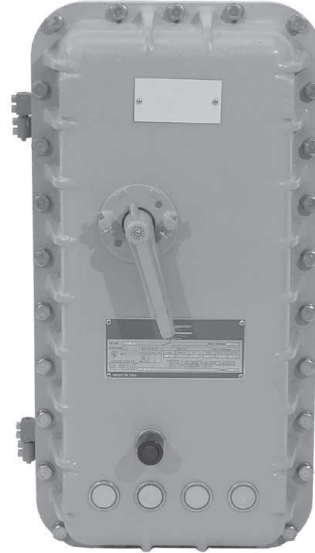
- Corrosion resistant gray powder coat epoxy inside and out

### Options

- See modifications page.

### NEC Certifications and Compliances

- ANSI/UL Standards: UL 508, UL 50, UL 1203
- CSA Standards: C22.2 No. 0-10, C22.2 No. 14-10, C22.2 No. 25-1996, C22.2 No. 30-M1986 and C22.2 No. 94-M91
- cCSAus Certified: 2561837



CONTROLS: NEC/CEC EXPLOSIONPROOF MOTOR STARTERS

APPLETON™

<sup>+</sup> Cutler-Hammer is a registered trademark of Eaton Corporation.

<sup>■</sup> Square D is a registered trademark of Schneider Electric.

# AEB Series Bolted Motor Starters and Contactors

## Explosionproof, Dust-Ignitionproof, Watertight

Full Voltage. Combination and Non-Combination.

### NEC/CEC:

Class I, Division 1 and 2, Groups B, C, D  
 Class I, Zone 1 and 2, Groups IIB + H<sub>2</sub>  
 Class II, Division 1 and 2, Groups E, F, G  
 Class III

### NEC/CEC:

NEMA 4, 4X, 7BCD, 9EFG  
 CSA Type 4, 4X

### Catalog Numbering Guide

Example: The part number below depicts an Appleton, Class I, Division I, Groups B, C and D, NEMA Size 1, Bolted type, Combination Full Voltage Nonreversing Motor Starter operating at 480 Vac, Cutler-Hammer + starter w/120 Vac control voltage, and a Cutler-Hammer 7A MCP. If a breaker is not required, omit last two characters.

CONTROLS: NEC/CEC EXPLOSIONPROOF MOTOR STARTERS

APPLETON

<p><b>AE</b></p> <p>NEC/CEC Certified AE Series</p>	<p><b>1</b></p> <p>NEMA Size:</p> <p>0 1 2 3 4 5</p>	<p><b>B</b></p> <p>Starter Function:                  A - FVNR (ATL)                  B - Combination FVNR                  M - Lighting Contactor (3- thru 12-pole) ①                  N - Combination Lighting Contactor (3- thru 12-pole) ①</p> <p>Optional Starter Function ②:                  C - FVR                  D - Combination FVR                  E - 2S1W                  F - Comb. 2S1W                  G - 2S2W                  H - Combination 2S2W                  J - Contactor (3 pole)                  K - Combination Contactor (3-pole)</p>	<p><b>4</b></p> <p>Operating Voltage:</p> <p>1 - 120 Vac                  2 - 240 Vac                  3 - 380 Vac                  4 - 480 Vac                  6 - 600 Vac                  9 - 208 Vac</p>	<p><b>W</b></p> <p>Starter Manufacturer: ③</p> <p>W - Standard; Eaton/Cutler-Hammer (A200)                  C - Freedom (AN16) Bi Metal; Eaton/Cutler-Hammer and                  A - Freedom (AN19) Electronic; Eaton/Cutler-Hammer                  S - Square D</p>	<p><b>1</b></p> <p>Control Voltage (120 V coil standard):                  1 - 120 Vac                  2 - 240 Vac                  3 - 380 Vac                  4 - 480 Vac                  6 - 600 Vac                  8 - 480 V Coil/120 V Control                  9 - 208 Vac                  0 - 277 Vac</p>	<p><b>C</b></p> <p>Breaker Manufacturer: ③</p> <p>C - Cutler-Hammer                  S - Square D</p>	<p><b>2</b></p> <p>MCP or Breaker Trip:</p> <p>MCP                  1 - 3 Amp                  2 - 7 Amp                  3 - 15 Amp                  4 - 30 Amp                  5 - 50 Amp                  6 - 70 Amp                  7 - 100 Amp                  8 - 150 Amp                  9 - 250 Amp                  0 - 400 Amp</p>	<p><b>▲</b></p> <p>Suffix for Other Options/Features: See Modifications</p> <p>Breaker Trip (Thermal Mag):                  A - 15 Amp                  B - 20 Amp                  C - 25 Amp                  D - 30 Amp                  E - 35 Amp                  F - 40 Amp                  G - 50 Amp                  H - 60 Amp                  J - 70 Amp                  K - 80 Amp                  M - 90 Amp                  N - 100 Amp                  P - 125 Amp                  Q - 150 Amp                  R - 175 Amp                  S - 200 Amp                  T - 225 Amp                  U - 250 Amp                  V - 300 Amp                  W - 350 Amp                  X - 400 Amp</p>
---	--	--	---	--	--	---	--	--

① Standard starter is manufactured by Square D; electrically operated, electrically held. Optional starter manufacture is ASCO; electrically operated, mechanically held. Contact your local sales representative for details.

② Contact your local sales representative for details.

③ Contact your local sales representative for additional UL Classified starters (Allen Bradley 509 and Vacuum, Sprecher and Schuh, Siemens, GE, and Cutler Hammer ITT Softstart and V200 Vacuum).

# AEB Series Bolted Motor Starters and Contactors

Explosionproof, Dust-Ignitionproof, Watertight

Full Voltage. Combination and Non-Combination.

**NEC/CEC:**

Class I, Division 1 and 2, Groups B, C, D  
 Class I, Zone 1 and 2, Groups IIB + H<sub>2</sub>  
 Class II, Division 1 and 2, Groups E, F, G  
 Class III

**NEC/CEC:**

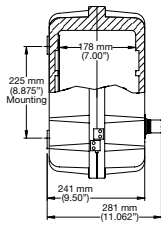
NEMA 4, 4X, 7BCD, 9EFG  
 CSA Type 4, 4X

**Empty Enclosure**

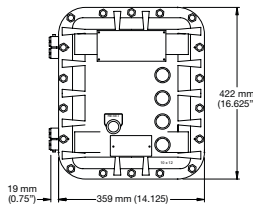
NEMA Size	Catalog Number <sup>▲</sup>	Approximate Weight kg (lb)	Standard Conduit (Inches)	Mounting Hardware Set Catalog Number
<b>Full Voltage Nonreversing Enclosure Only</b>				
0	AE0BA	36 (80)		
1	AE1BA	36 (80)	1-1/2	
2	AE2BA	39 (85)		AMH7
3	AE3BA	64 (140)	2	
4	AE4BA	64 (140)	2-1/2	
5	AE5BA	227 (500)	4	AMH8

**Dimensions in Millimeters (Inches) – Starter Only**

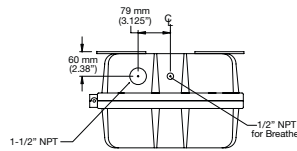
**Enclosure Layout for Size 0, 1 and 2 – Starter Only**



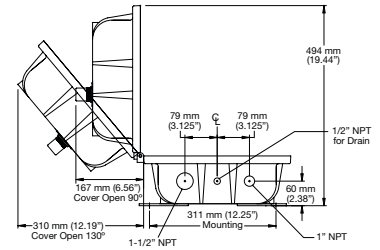
Left Side View



Front View

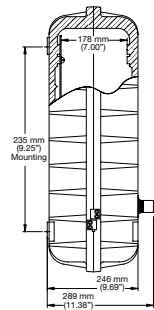


Top View

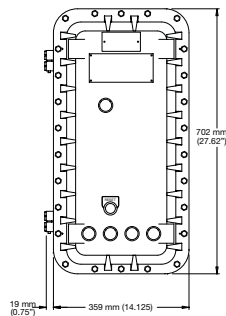


Bottom View

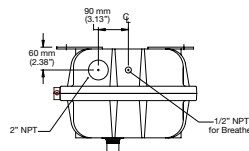
**Enclosure Layout for Size 3 – Starter Only**



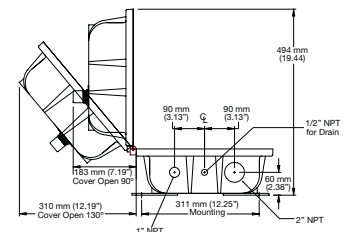
Left Side View



Front View



Top View



Bottom View

▲ To complete the catalog number please add the appropriate suffix for other options/features. Suffixes, see AEB Series Motor Starters Modifications.

# AEB Series Bolted Motor Starters and Contactors

Explosionproof, Dust-Ignitionproof, Watertight

Full Voltage. Combination and Non-Combination.

**NEC/CEC:**

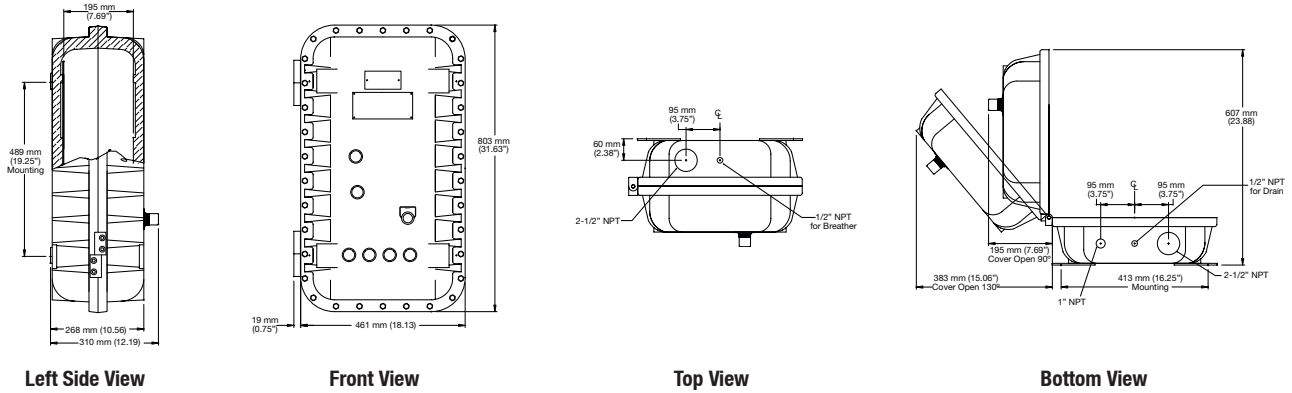
Class I, Division 1 and 2, Groups B, C, D  
 Class I, Zone 1 and 2, Groups IIB + H<sub>2</sub>  
 Class II, Division 1 and 2, Groups E, F, G  
 Class III

**NEC/CEC:**

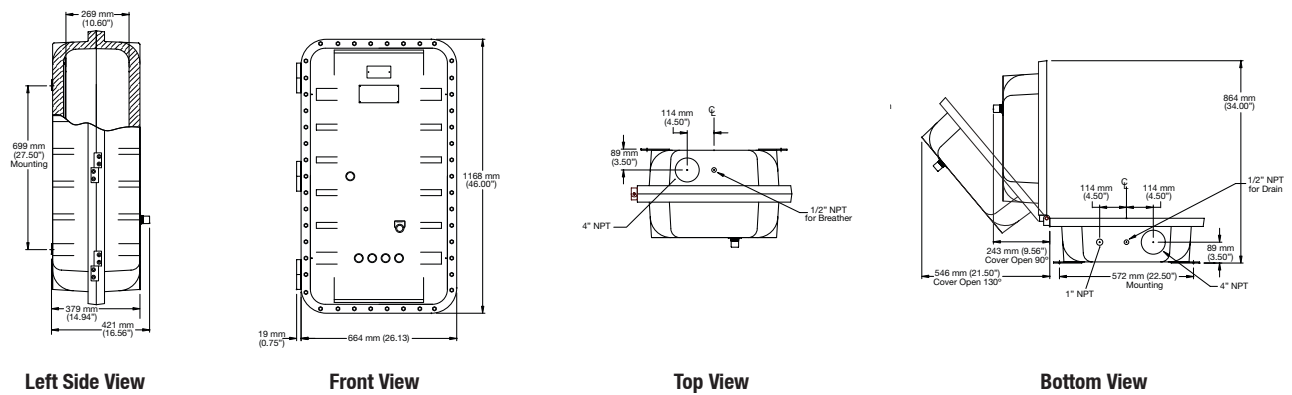
NEMA 4, 4X, 7BCD, 9EFG  
 CSA Type 4, 4X

**Dimensions in Millimeters (Inches) – Starter Only**

**Enclosure Layout for Size 4 – Starter Only**



**Enclosure Layout for Size 5 – Starter Only**



CONTROLS: NEC/CEC EXPLOSIONPROOF MOTOR STARTERS

APPLETON

# AEB Series Bolted Motor Starters and Contactors

Explosionproof, Dust-Ignitionproof, Watertight

Full Voltage. Combination and Non-Combination.

**NEC/CEC:**

Class I, Division 1 and 2, Groups B, C, D  
 Class I, Zone 1 and 2, Groups IIB + H<sub>2</sub>  
 Class II, Division 1 and 2, Groups E, F, G  
 Class III

**NEC/CEC:**

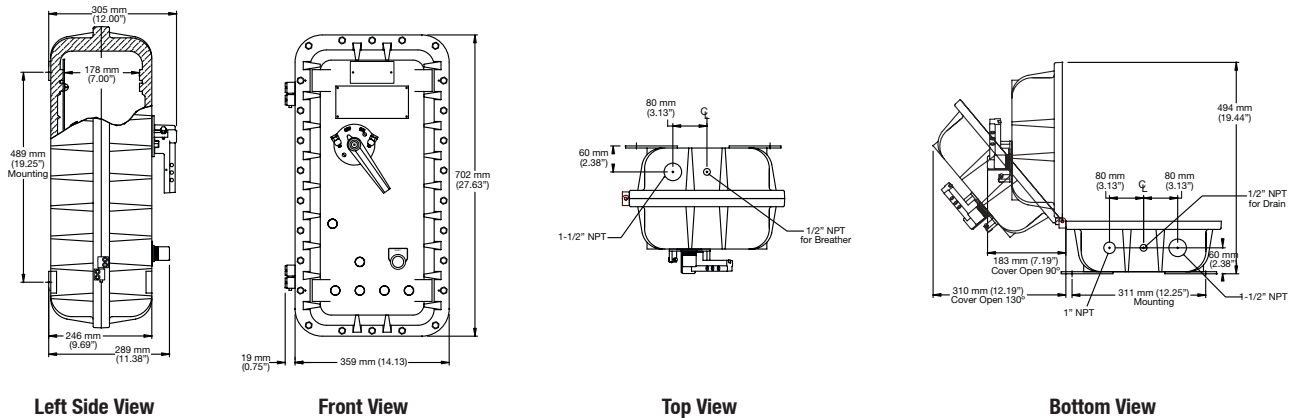
NEMA 4, 4X, 7BCD, 9EFG  
 CSA Type 4, 4X

**Empty Enclosure**

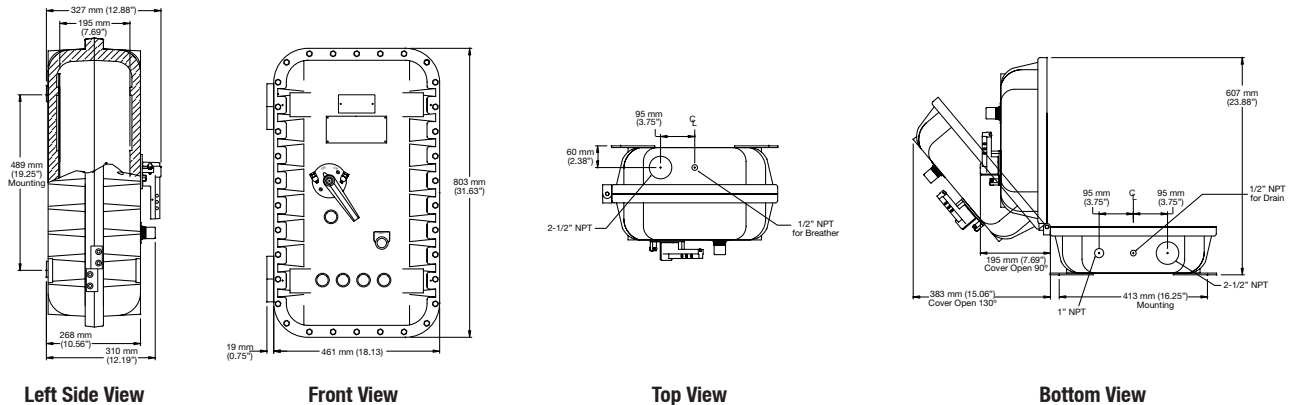
NEMA Size	Catalog Number <sup>▲</sup>	Approximate Weight kg (lb)	Standard Conduit (Inches)	Mounting Hardware Set Catalog Number
<b>Combination Full Voltage Nonreversing Enclosure Only</b>				
0	AE0BB	36 (80)	1-1/2	AMH7
1	AE1BB	36 (80)		
2	AE2BB	39 (85)		
3	AE3BB	64 (140)	2-1/2	AMH8
4	AE4BB	64 (140)		
5	AE5BB	227 (500)	4	AMH8

**Dimensions in Millimeters (Inches) – Combination**

**Enclosure Layout for Size 0, 1 and 2 – Combination**



**Enclosure Layout for Size 3 and 4 – Combination**



▲ To complete the catalog number please add the appropriate suffix for other options/features. Suffixes, see AEB Series Motor Starters Modifications.

CONTROLS: NEC/CEC EXPLOSIONPROOF MOTOR STARTERS

**APPLETON**

# AEB Series Bolted Motor Starters and Contactors

Explosionproof, Dust-Ignitionproof, Watertight

Full Voltage. Combination and Non-Combination.

**NEC/CEC:**

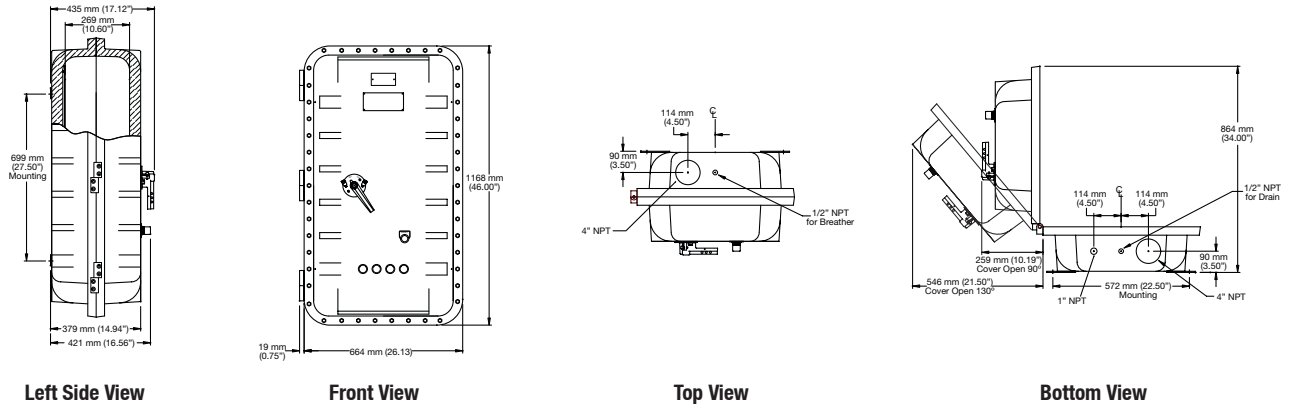
Class I, Division 1 and 2, Groups B, C, D  
 Class I, Zone 1 and 2, Groups IIB + H<sub>2</sub>  
 Class II, Division 1 and 2, Groups E, F, G  
 Class III

**NEC/CEC:**

NEMA 4, 4X, 7BCD, 9EFG  
 CSA Type 4, 4X

**Dimensions in Millimeters (Inches) – Combination**

**Enclosure Layout for Size 5 – Combination**



CONTROLS: NEC/CEC EXPLOSIONPROOF MOTOR STARTERS

APPLETON

# AEB Series Bolted Motor Starters and Contactors

Explosionproof, Dust-Ignitionproof, Watertight

Full Voltage. Combination and Non-Combination.

NEC/CEC:

Class I, Division 1 and 2, Groups B, C, D  
Class I, Zone 1 and 2, Groups IIB + H<sub>2</sub>  
Class II, Division 1 and 2, Groups E, F, G  
Class III

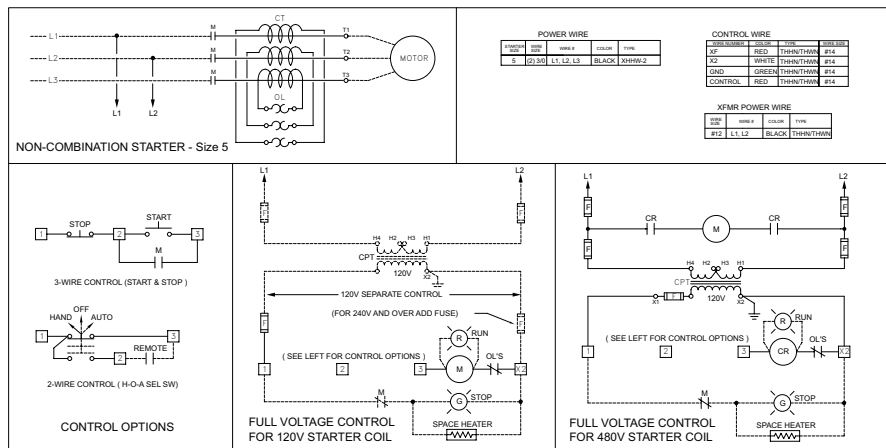
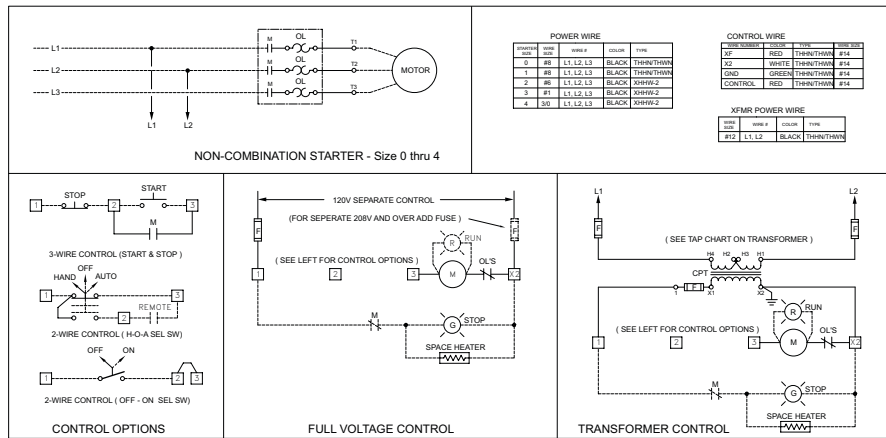
NEC/CEC:

NEMA 4, 4X, 7BCD, 9EFG  
CSA Type 4, 4X

## Full Voltage Motor Starter – Nonreversing – 3-Phase, 60 Hertz, 120 V Coil

Line Voltage	NEMA Size	Maximum Horsepower	Amp Trip	Catalog Number <sup>▲</sup>	Approximate Weight kg (lb)	Conduit Size (Inches)	Mounting Hardware Set Catalog Number
480	0	5	NA	AE0BA4W1	36 (80)	1-1/2	AMH7
	1	10	NA	AE1BA4W1	36 (80)		
	2	25	NA	AE2BA4W1	39 (85)	2	
	3	50	NA	AE3BA4W1	64 (140)		
	4	100	NA	AE4BA4W1	64 (140)	2-1/2	
600	5	200	NA	AE5BA4W1	227 (500)	4	AMH8
	0	5	NA	AE0BA6W1	57 (125)	1-1/2	AMH7
	1	10	NA	AE1BA6W1	57 (125)		
	2	25	NA	AE2BA6W1	59 (130)	2	
	3	50	NA	AE3BA6W1	88 (195)		
	4	100	NA	AE4BA6W1	88 (195)	2-1/2	
5	200	NA	AE5BA6W1	227 (500)	4	AMH8	

## Wiring Diagrams



▲ To complete the catalog number please add the appropriate suffix for other options/features. Suffixes, see AEB Series Motor Starters Modifications.

# AEB Series Bolted Motor Starters and Contactors

Explosionproof, Dust-Ignitionproof, Watertight

Full Voltage. Combination and Non-Combination.

NEC/CEC:

Class I, Division 1 and 2, Groups B, C, D

Class I, Zone 1 and 2, Groups IIB + H<sub>2</sub>

Class II, Division 1 and 2, Groups E, F, G

Class III

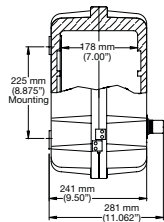
NEC/CEC:

NEMA 4, 4X, 7BCD, 9EFG

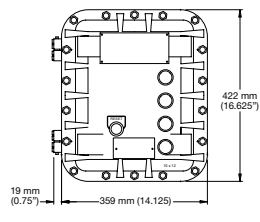
CSA Type 4, 4X

## Dimensions in Millimeters (Inches) – Starter Only

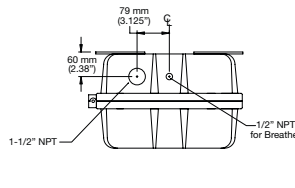
### Enclosure Layout for Size 0, 1 and 2 – Starter Only



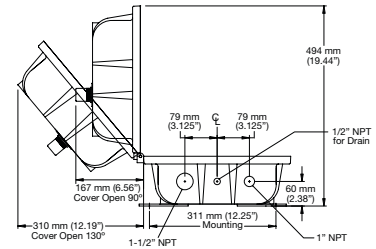
Left Side View



Front View

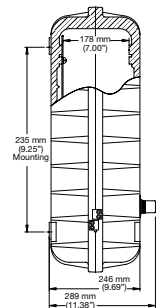


Top View

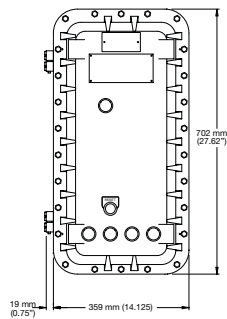


Bottom View

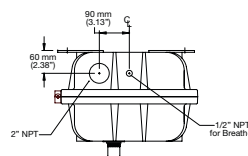
### Enclosure Layout for Size 3 – Starter Only



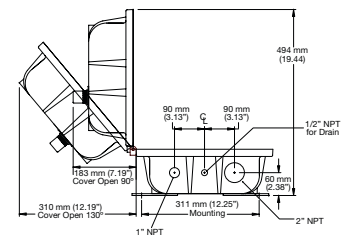
Left Side View



Front View



Top View



Bottom View

CONTROLS: NEC/CEC EXPLOSIONPROOF MOTOR STARTERS

APPLETON



# AEB Series Bolted Motor Starters and Contactors

Explosionproof, Dust-Ignitionproof, Watertight

Full Voltage. Combination and Non-Combination.

**NEC/CEC:**

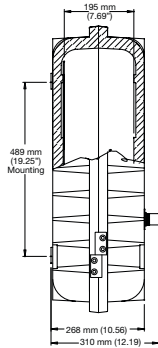
Class I, Division 1 and 2, Groups B, C, D  
 Class I, Zone 1 and 2, Groups IIB + H<sub>2</sub>  
 Class II, Division 1 and 2, Groups E, F, G  
 Class III

**NEC/CEC:**

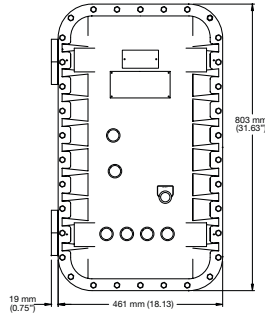
NEMA 4, 4X, 7BCD, 9EFG  
 CSA Type 4, 4X

**Dimensions in Millimeters (Inches) – Starter Only**

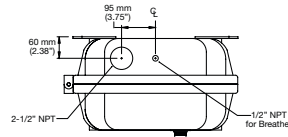
**Enclosure Layout for Size 4 – Starter Only**



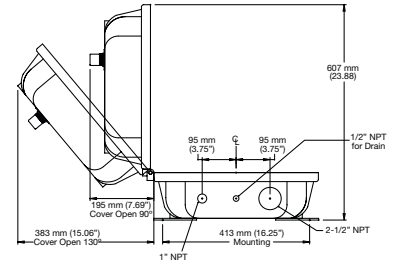
Left Side View



Front View

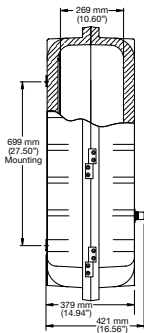


Top View

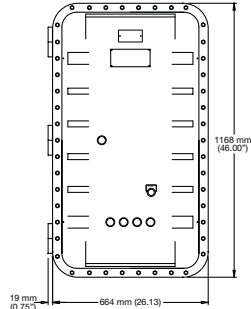


Bottom View

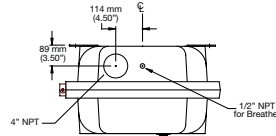
**Enclosure Layout for Size 5 – Starter Only**



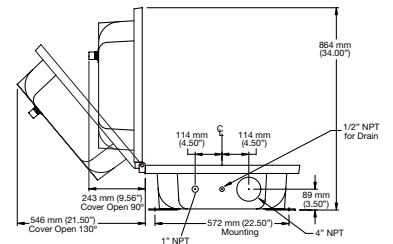
Left Side View



Front View



Top View



Bottom View

CONTROLS: NEC/CEC EXPLOSIONPROOF MOTOR STARTERS

**APPLETON™**

# AEB Series Bolted Motor Starters and Contactors

Explosionproof, Dust-Ignitionproof, Watertight

Full Voltage, Combination and Non-Combination.

**NEC/CEC:**

Class I, Division 1 and 2, Groups B, C, D  
 Class I, Zone 1 and 2, Groups IIB + H<sub>2</sub>  
 Class II, Division 1 and 2, Groups E, F, G  
 Class III

**NEC/CEC:**

NEMA 4, 4X, 7BCD, 9EFG  
 CSA Type 4, 4X

Combination Full Voltage Motor Starters With Motor Circuit Protector (MCP) — Nonreversing — 3-Phase, 60 Hertz, 120 V Coil

Line Voltage	NEMA Size	Maximum Horsepower	Amp Trip	Catalog Number <sup>▲</sup>	Approximate Weight kg (lb)	Conduit Size (Inches)	Mounting Hardware Set Catalog Number	
480	0	1	3	AE0BB4W1C1	57 (125)	1-1/2	AMH7	
		3	7	AE0BB4W1C2	57 (125)			
		5	15	AE0BB4W1C3	57 (125)			
	1	7	15	AE1BB4W1C3	57 (125)			
		10	30	AE1BB4W1C4	59 (130)			
	2	12	30	AE2BB4W1C4	59 (130)			2-1/2
		25	50	AE2BB4W1C5	59 (130)			
	3	30	50	AE3BB4W1C5	88 (195)			4
		50	100	AE3BB4W1C7	88 (195)			
	4	100	150	AE4BB4W1C8	88 (195)			
5	200	400	AE5BB4W1C0	227 (500)				
600	0	1	3	AE0BB6W1C1	57 (125)	1-1/2	AMH7	
		3	7	AE0BB6W1C2	57 (125)			
		5	15	AE0BB6W1C3	57 (125)			
	1	7	15	AE1BB6W1C3	57 (125)			
		10	30	AE1BB6W1C4	57 (125)			
	2	20	30	AE2BB6W1C4	59 (130)			2-1/2
		25	50	AE2BB6W1C5	59 (130)			
	3	40	50	AE3BB6W1C5	88 (195)			4
		50	100	AE3BB6W1C7	88 (195)			
	4	60	100	AE4BB6W1C7	88 (195)			
100		150	AE4BB6W1C8	88 (195)				
5	200	400	AE5BB6W1C0	227 (500)				

CONTROLS: NEC/CEC EXPLOSIONPROOF MOTOR STARTERS

APPLETON

▲ To complete the catalog number please add the appropriate suffix for other options/features. Suffixes, see AEB Series Motor Starters Modifications.

# AEB Series Bolted Motor Starters and Contactors

Explosionproof, Dust-Ignitionproof, Watertight

Full Voltage. Combination and Non-Combination.

NEC/CEC:

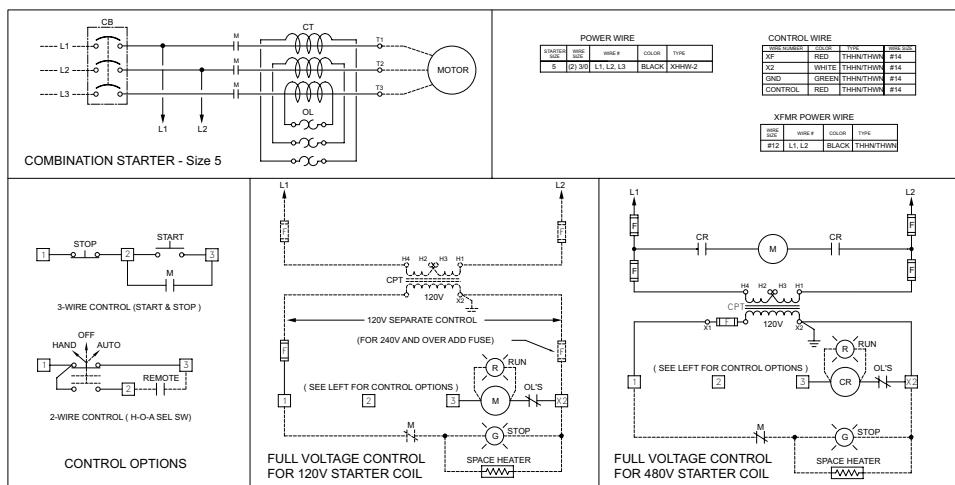
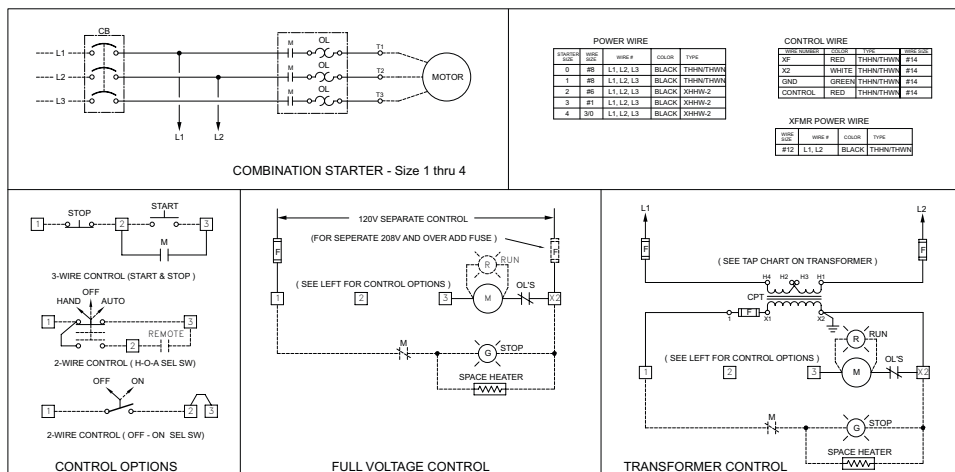
Class I, Division 1 and 2, Groups B, C, D  
Class I, Zone 1 and 2, Groups IIB + H<sub>2</sub>  
Class II, Division 1 and 2, Groups E, F, G  
Class III

NEC/CEC:

NEMA 4, 4X, 7BCD, 9EFG  
CSA Type 4, 4X

## Combination Full Voltage Motor Starters With Motor Circuit Protector (MCP) — Nonreversing— 3-Phase, 60 Hertz, 120 V Coil

### Wiring Diagram



CONTROLS: NEC/CEC EXPLOSIONPROOF MOTOR STARTERS

APPLETON™

# AEB Series Bolted Motor Starters and Contactors

Explosionproof, Dust-Ignitionproof, Watertight

Full Voltage. Combination and Non-Combination.

**NEC/CEC:**

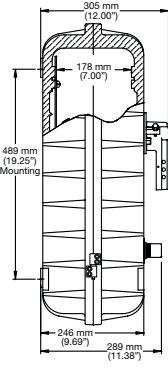
Class I, Division 1 and 2, Groups B, C, D  
 Class I, Zone 1 and 2, Groups IIB + H2  
 Class II, Division 1 and 2, Groups E, F, G  
 Class III

**NEC/CEC:**

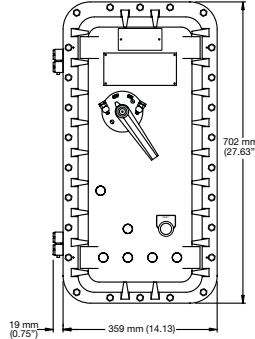
NEMA 4, 4X, 7BCD, 9EFG  
 CSA Type 4, 4X

**Dimensions in Millimeters (Inches) – Combination**

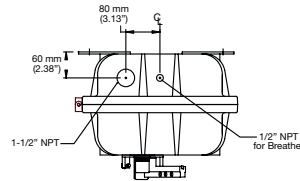
**Enclosure Layout for Size 0, 1 and 2 – Combination**



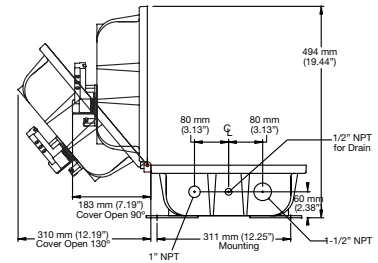
Left Side View



Front View

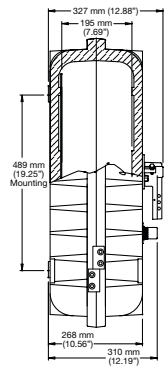


Top View

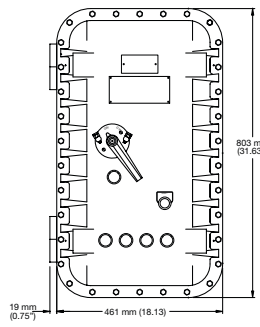


Bottom View

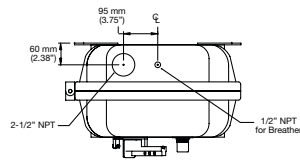
**Enclosure Layout for Size 3 and 4 – Combination**



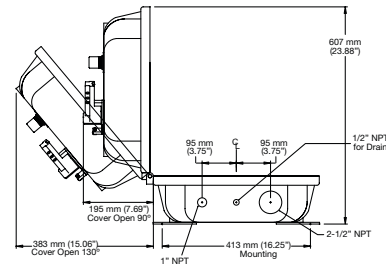
Left Side View



Front View

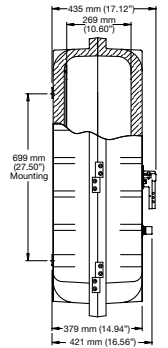


Top View

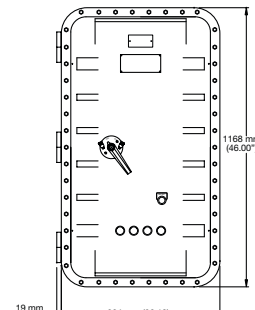


Bottom View

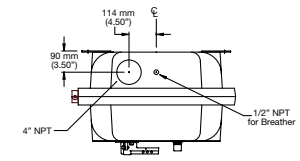
**Enclosure Layout for Size 5 – Combination**



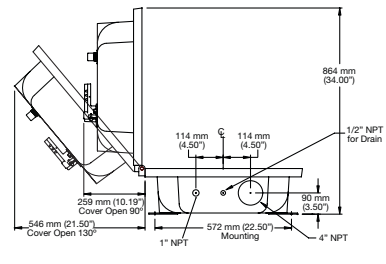
Left Side View



Front View



Top View



Bottom View

CONTROLS: NEC/CEC EXPLOSIONPROOF MOTOR STARTERS

APPLETON

# AEB Series Bolted Motor Starters and Contactors

## Explosionproof, Dust-Ignitionproof, Watertight

Full Voltage. Combination and Non-Combination.

**NEC/CEC:**

Class I, Division 1 and 2, Groups B, C, D  
Class I, Zone 1 and 2, Groups IIB + H<sub>2</sub>  
Class II, Division 1 and 2, Groups E, F, G  
Class III

**NEC/CEC:**

NEMA 4, 4X, 7BCD, 9EFG  
CSA Type 4, 4X

**Combination Full Voltage Motor Starters with Thermal Magnetic Circuit Breaker – Nonreversing — 3-Phase, 60 Hertz, 120 V Coil**

Line Voltage	NEMA Size	Maximum Horsepower	Amp Trip	Catalog Number <sup>▲</sup>	Approximate Weight kg (lb)	Conduit Size (Inches)	Mounting Hardware Set Catalog Number	
480	0	3	15	AE0BB4W1CA	57 (125)	1-1/2	AMH7	
		5	20	AE0BB4W1CB	57 (125)			
	1	7-1/2	30	AE1BB4W1CD	57 (125)			
		10	35	AE1BB4W1CE	57 (125)			
	2	20	50	AE2BB4W1CG	59 (130)			2-1/2
		25	70	AE2BB4W1CJ	59 (130)			
	3	50	100	AE3BB4W1CN	88 (195)			
		60	125	AE3BB4W1CP	88 (195)			
	4	75	150	AE4BB4W1CQ	88 (195)	4		
		100	200	AE4BB4W1CS	88 (195)			
		125	250	AE5BB4W1CU	227 (500)			
	5	150	300	AE5BB4W1CV	227 (500)		AMH8	
200		400	AE5BB4W1CX	227 (500)				
600	0	5	15	AE0BB6W1CA	57 (125)		1-1/2	AMH7
		1	7-1/2	20	AE1BB6W1CB	57 (125)		
	10		30	AE1BB6W1CD	57 (125)			
	2	15	40	AE2BB6W1CF	59 (130)	2-1/2		
		25	50	AE2BB6W1CG	59 (130)			
	3	30	70	AE3BB6W1CJ	88 (195)			
		50	100	AE3BB6W1CN	88 (195)			
	4	75	125	AE4BB6W1CP	88 (195)	4		
		100	150	AE4BB6W1CQ	88 (195)			
	5	150	250	AE5BB6W1CU	227 (500)		AMH8	
		200	300	AE5BB6W1CV	227 (500)			

CONTROLS: NEC/CEC EXPLOSIONPROOF MOTOR STARTERS

APPLETON™

▲ To complete the catalog number please add the appropriate suffix for other options/features. Suffixes, see AEB Series Motor Starters Modifications.

# AEB Series Bolted Motor Starters and Contactors

Explosionproof, Dust-Ignitionproof, Watertight

Full Voltage. Combination and Non-Combination.

NEC/CEC:

Class I, Division 1 and 2, Groups B, C, D  
 Class I, Zone 1 and 2, Groups IIB + H2  
 Class II, Division 1 and 2, Groups E, F, G  
 Class III

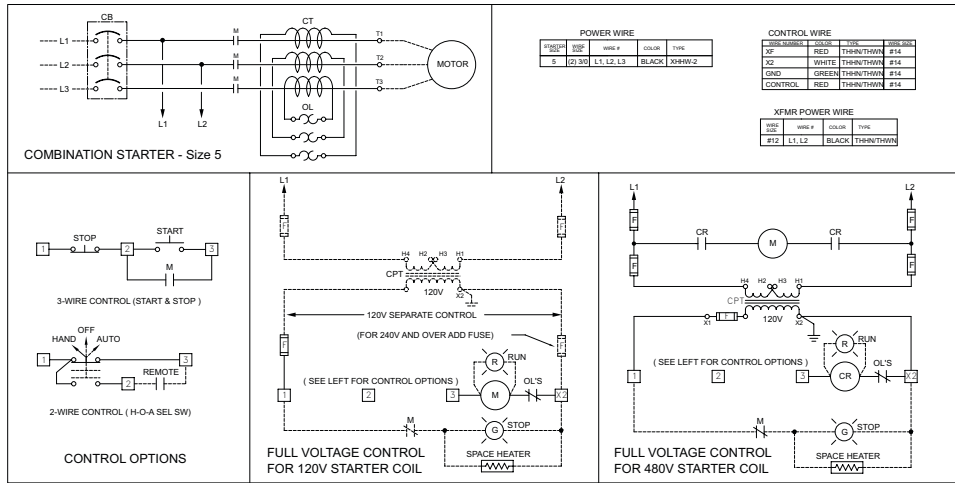
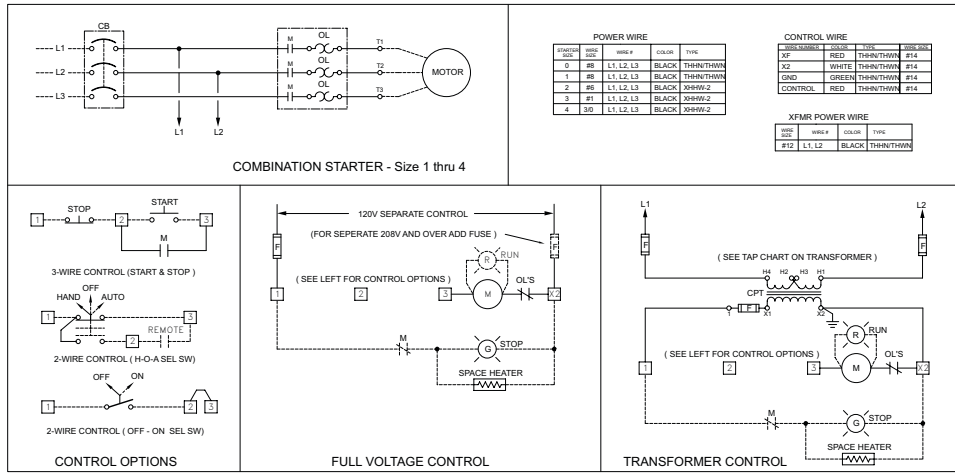
NEC/CEC:

NEMA 4, 4X, 7BCD, 9EFG  
 CSA Type 4, 4X

CONTROLS: NEC/CEC EXPLOSIONPROOF MOTOR STARTERS

## Combination Full Voltage Motor Starters with Thermal Magnetic Circuit Breaker – Nonreversing – 3-Phase, 60 Hertz, 120 V Coil

### Wiring Diagram



APPLETON

# AEB Series Bolted Motor Starters and Contactors

Explosionproof, Dust-Ignitionproof, Watertight

Full Voltage. Combination and Non-Combination.

NEC/CEC:

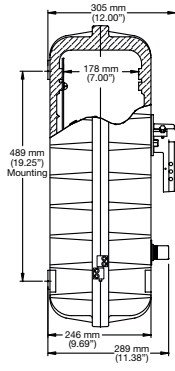
Class I, Division 1 and 2, Groups B, C, D  
Class I, Zone 1 and 2, Groups IIB + H<sub>2</sub>  
Class II, Division 1 and 2, Groups E, F, G  
Class III

NEC/CEC:

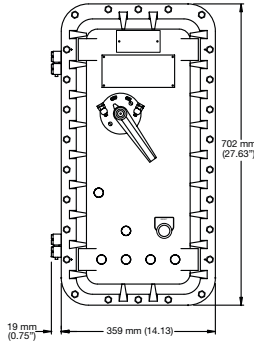
NEMA 4, 4X, 7BCD, 9EFG  
CSA Type 4, 4X

## Dimensions in Millimeters (Inches) – Combination

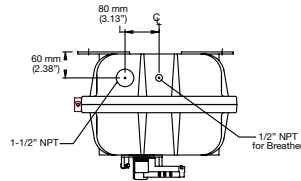
### Enclosure Layout for Size 0, 1 and 2 – Combination



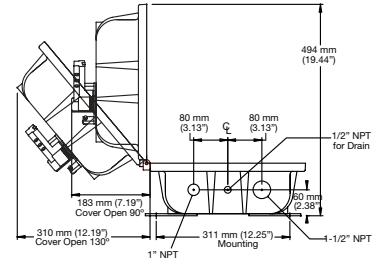
Left Side View



Front View

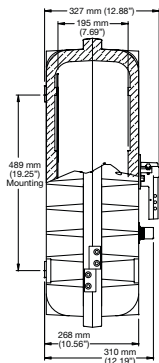


Top View

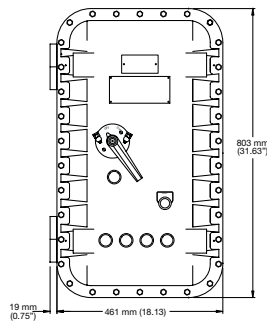


Bottom View

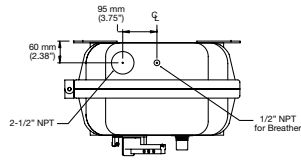
### Enclosure Layout for Size 3 and 4 – Combination



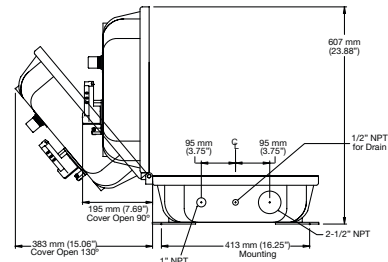
Left Side View



Front View

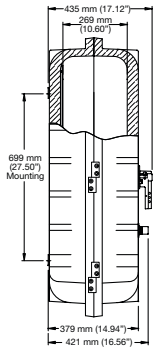


Top View

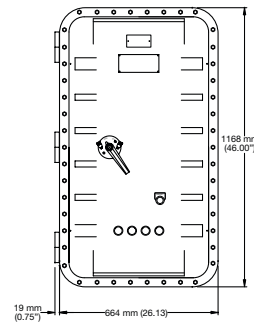


Bottom View

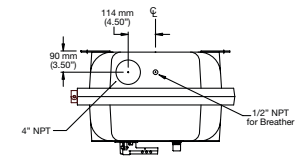
### Enclosure Layout for Size 5 – Combination



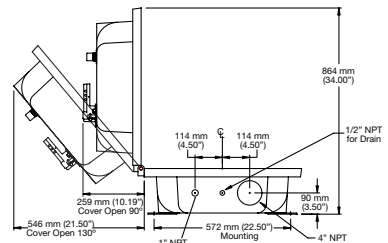
Left Side View



Front View



Top View



Bottom View

CONTROLS: NEC/CEC EXPLOSIONPROOF MOTOR STARTERS

APPLETON™

# AEB Series Bolted Motor Starters and Contactors

Explosionproof, Dust-Ignitionproof, Watertight

Full Voltage. Combination and Non-Combination.

**NEC/CEC:**

Class I, Division 1 and 2, Groups B, C, D  
 Class I, Zone 1 and 2, Groups IIB + H2  
 Class II, Division 1 and 2, Groups E, F, G  
 Class III

**NEC/CEC:**

NEMA 4, 4X, 7BCD, 9EFG  
 CSA Type 4, 4X

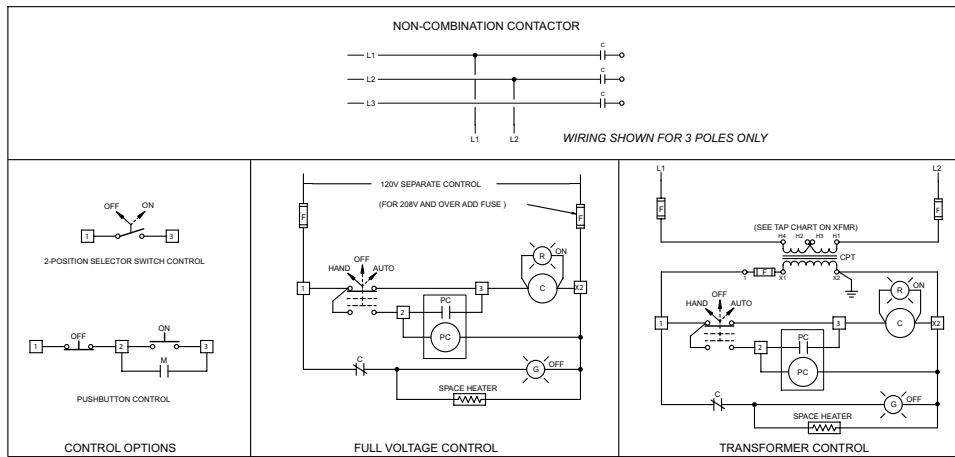
CONTROLS: NEC/CEC EXPLOSIONPROOF MOTOR STARTERS

APPLETON

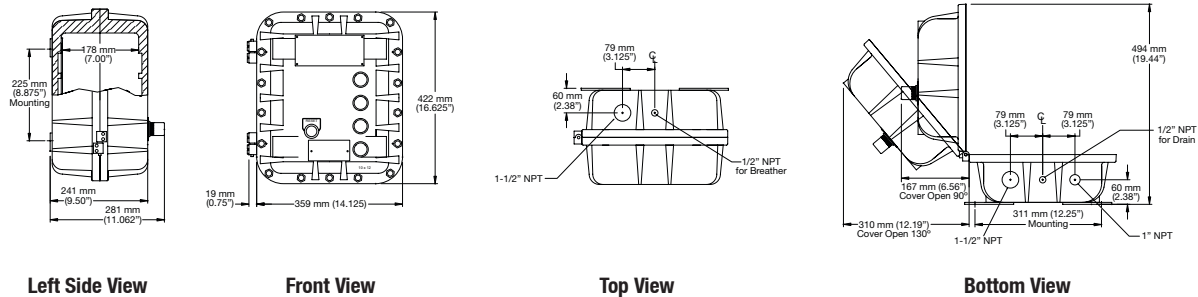
**Lighting Contactor – 3-Pole – 60 Hertz, 120 V Coil**

Line Voltage	Enclosure Size	Contactor Amps	Number of Poles	Catalog Number <sup>▲</sup>	Approximate Weight kg (lb)	Conduit Size (Inches)	Mounting Hardware Set Catalog Number
120	1	30	3	<b>AE1BM1S13</b>	57 (125)	1-1/2	<b>AMH7</b>
			6	<b>AE1BM1S16</b>			
			9	<b>AE1BM1S19</b>			
			12	<b>AE1BM1S12</b>			

**Wiring Diagram**



**Dimensions in Millimeters (Inches) – Lighting Contactor**



▲ To complete the catalog number please add the appropriate suffix for other options/features. Suffixes, see AEB Series Motor Starters Modifications.



# AEB Series Bolted Motor Starters and Contactors

Explosionproof, Dust-Ignitionproof, Watertight

Full Voltage. Combination and Non-Combination.

NEC/CEC:

Class I, Division 1 and 2, Groups B, C, D  
Class I, Zone 1 and 2, Groups IIB + H<sub>2</sub>  
Class II, Division 1 and 2, Groups E, F, G  
Class III

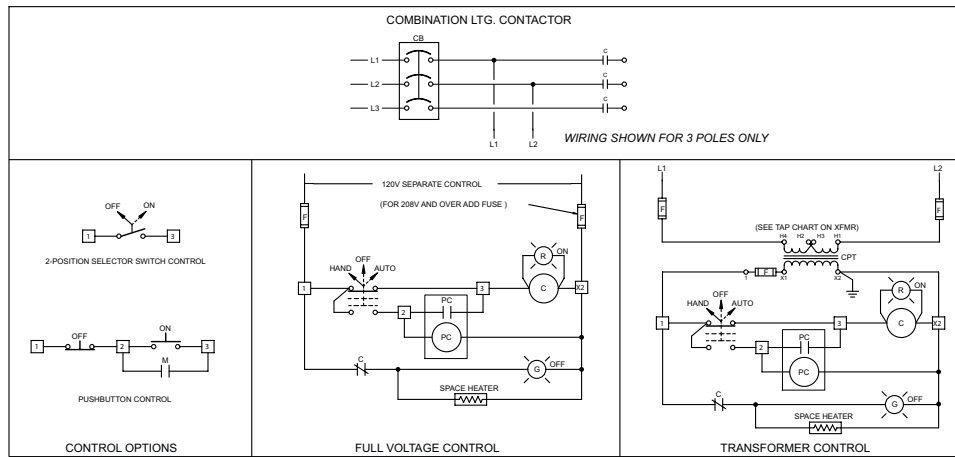
NEC/CEC:

NEMA 4, 4X, 7BCD, 9EFG  
CSA Type 4, 4X

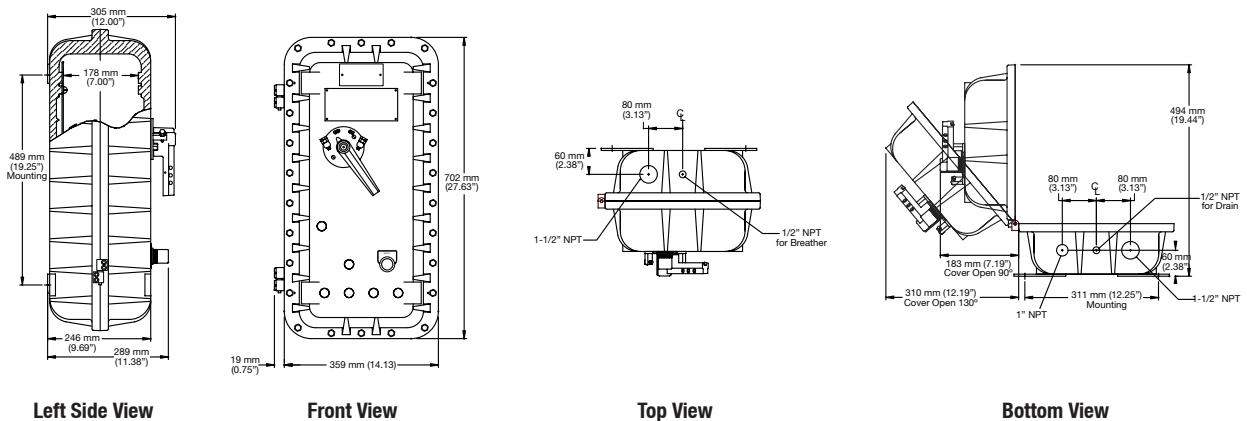
## Combination Lighting Contactor – 3-Pole – 60 Hertz, 120 V Coil

Line Voltage	Enclosure Size	Contactor Amps	Contactor Amps	Number of Poles	Catalog Number <sup>▲</sup>	Approximate Weight kg (lb)	Conduit Size (Inches)	Mounting Hardware Set Catalog Number
120	1	30	40	3	AE1BN1S1F3	57 (125)	1-1/2	AMH7
				6	AE1BN1S1F6			
				9	AE1BN1S1F9			
				12	AE1BN1S1F12			

## Wiring Diagram



## Dimensions in Millimeters (Inches) – Combination Lighting Contactor



▲ To complete the catalog number please add the appropriate suffix for other options/features. Suffixes, see AEB Series Motor Starters Modifications.

CONTROLS: NEC/CEC EXPLOSIONPROOF MOTOR STARTERS

APPLETON™

# AEB Series Bolted Motor Starters and Contactors

## Explosionproof, Dust-Ignitionproof, Watertight

Full Voltage. Combination and Non-Combination.

### NEC/CEC:

Class I, Division 1 and 2, Groups B, C, D  
Class I, Zone 1 and 2, Groups IIB + H<sub>2</sub>  
Class II, Division 1 and 2, Groups E, F, G  
Class III

### NEC/CEC:

NEMA 4, 4X, 7BCD, 9EFG  
CSA Type 4, 4X

### Modifications

Description	Suffix Factory Installed	Catalog Number Field Installed
<b>Operators</b> ①		
Start/Stop dual push button	<b>S3X</b>	<b>AEPDGRE</b>
Stop push button	<b>S2X</b>	<b>AEPRC</b>
Start push button	<b>S1X</b>	<b>AEPGA</b>
Stop, lighted PB, red 120 Vac	<b>LP5X</b>	<b>AEP TRE</b>
Start, lighted PB, green 120 Vac	<b>LP4X</b>	<b>AEPTGE</b>
3 position selector switch specify legend	<b>A3X</b>	<b>AESS31MN</b>
2 position selector switch specify legend	<b>A2X</b>	<b>AESS22ML</b>
Red pilot light, 120 Vac	<b>L5</b>	<b>AEPL1R</b>
Green pilot light, 120 Vac	<b>L4</b>	<b>AEPL1G</b>
Red pilot light, 240 Vac	<b>L52</b>	<b>AEPL2R</b>
Green pilot light, 240 Vac	<b>L42</b>	<b>AEPL2G</b>
Red pilot light, 480 Vac	<b>L54</b>	<b>AEPL4R</b>
Green pilot light, 480 Vac	<b>L44</b>	<b>AEPL4G</b>
<b>NEMA 4X Breather/Drain Fittings</b>		
Drain fitting	<b>DN</b>	<b>DRNB4X</b>
Breather fitting (Drilled and tapped installation included.)	<b>BR</b>	<b>BRTB4X</b>
<b>Control Power Options</b> ②③		
Fused CPT, 50 Va	<b>T1</b>	<b>AFCPT050</b>
Fused CPT, 100 Va	<b>T2</b>	<b>AFCPT100</b>
Fused CPT, 200 Va	<b>T3</b>	<b>AFCPT200</b>
Fused CPT, 250 Va	<b>T4</b>	<b>AFCPT250</b>
Fused CPT, 50 Va w/interposing relay	<b>T5</b>	<b>AFCPT050R</b>
Fused CPT, 150 Va	<b>T6</b>	<b>AFCPT150</b>
Fused CPT, 300 Va	<b>T7</b>	<b>AFCPT300</b>
Fused CPT, 500 Va	<b>T8</b>	<b>AFCPT500</b>
Fused CPT, 750 Va	<b>T9</b>	<b>AFCPT750</b>
Separate control fused circuit	<b>S-120V</b>	n/a
Specify starter coil voltage	<b>S-240V</b>	n/a
	<b>S-480V</b>	n/a

Description	Suffix Factory Installed	Catalog Number Field Installed
<b>Nameplates</b>		
Engraved nameplate — black letters on white surface, 50.8 x 101.6 mm (2" x 4"), 3.18 mm (0.125") letters, 3 lines max. specify legend	<b>NP</b>	n/a
<b>Space Heater</b>		
40 Watt enclosure space heaters	120 Vac	<b>O-120V</b> <b>AFA4327X11</b>
	240 Vac	<b>O-240V</b> <b>AFA4327X12</b>
	480 Vac	<b>O-480V</b> <b>AFA4327X13</b>
<b>Control Terminal Blocks</b> (Above 12 points contact your local representative)		
20 Amp, 600 Vac	8 point	<b>8K</b> n/a
NEMA 1B w/wire markers	12 point	<b>12K</b> n/a
<b>Cutler-Hammer + Starter Auxiliary Contacts</b>		
Size 0-4 ④	1NO/1NC	<b>X11C</b> <b>AJ-11</b>
	2NO/2NC	<b>X22C</b> <b>AJ-11 (2 ea.)</b>
Size 5 ⑤	1NO/1NC	<b>X511C</b> <b>A3463D94G18</b>
	2NO/2NC	<b>X522C</b> <b>A3463D94G18 (2 ea.)</b>
<b>Square D * Starter Auxiliary Contacts</b>		
Size 0-5 ⑥	1NO/1NC	<b>X11S</b> <b>A999SX8</b>
	2NO/2NC	<b>X22S</b> <b>A999SX8 (2 ea.)</b>
<b>Number of Poles on Lighting Contactors</b>		
30 Amp, 120 Vac	3 Poles	<b>3</b>
30 Amp, 120 Vac	6 Poles	<b>6</b>
30 Amp, 120 Vac	9 Poles	<b>9</b>
30 Amp, 120 Vac	12 Poles	<b>12</b>

CONTROLS: NEC/CEC EXPLOSIONPROOF MOTOR STARTERS

APPLETON

NOTE: **CPT** includes primary and secondary fuses.

① Add —L to part no. for Size 5 starters.

② Size 1 and 2 150 Vac Max. Size 3 and 4 300 Vac Max.

③ Contact your local representative for other voltages.

④ 8 Aux. Contacts Max. includes one seal-in and seven added.

⑤ 4 Aux. Contacts Max. includes one seal-in and three added.

⑥ Size 0-1 includes one seal-in and four added. Size 2-5 includes one seal-in and three added.

+ Cutler-Hammer is a registered trademark of Eaton Corporation.

■ Square D is a registered trademark of Schneider Electric.