

QUICK GUIDE

Vaisala HUMICAP® Humidity and Temperature HMT140 Wi-Fi Data Logger



English
Deutsch
Français
日本語
中文

PUBLISHED BY

Vaisala Oyj
P.O Box 26, FI-00421 Helsinki, Finland
Phone North America: 1-888-VAISALA
Phone International: +358 9 8949 1
Fax: +358 9 8949 2227

Visit our Internet pages at www.vaisala.com.

© Vaisala 2015

No part of this manual may be reproduced, published or publicly displayed in any form or by any means, electronic or mechanical (including photocopying), nor may its contents be modified, translated, adapted, sold or disclosed to a third party without prior written permission of the copyright holder. Translated materials and translated portions of multilingual documents are based on the original English versions. In ambiguous cases, the English versions are applicable, not the translations.

The contents of this manual are subject to change without prior notice.

This manual does not create any legally binding obligations for Vaisala towards the customer or end users. All legally binding obligations and agreements are included exclusively in the applicable supply contract or the General Conditions of Sale and Conditions of Service of Vaisala.

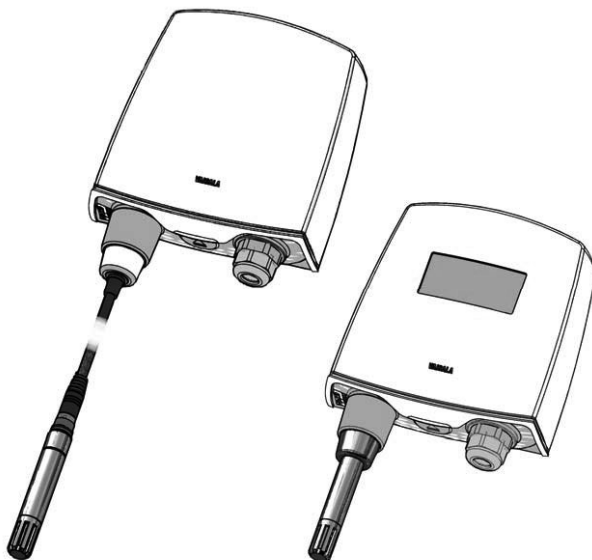
Table of Contents

ENGLISH	1
Product Overview	1
Dimensions	2
Probe Assembly with Duct Installation Kit	3
Connections and Wiring	4
HMT140 Components Diagram	4
Install the HMT140 Utility Software	7
Set up the HMT140 Hardware	8
Connect the HMT140 to your Network	8
Quick Reference Information	9
Technical Support	10
Product Returns	10
Warranty	10
Warnings	10
Technical Data	10
DEUTSCH	15
Produktübersicht	15
Abmessungen	16
Sondenbaugruppe mit Schachteinbausatz	17
Anschlüsse und Verkabelung	18
HMT140 Komponentendiagramm	18
Die HMT140 Dienstprogramm-Software installieren	20
Einrichten der HMT140 Hardware	21
Die HMT140 an das Netzwerk anschließen	21
Kurzanleitung	22
Technische Unterstützung	23
Produktrücksendungen	23
Garantie	24
Warnungen	24
Technische Daten	24
FRANÇAIS	29
Présentation du produit	29
Dimensions	30
Montage de sonde avec kit d'installation de conduite	31
Raccordements et Câblage	32
Schéma des composants du HMT140	32
Installer le logiciel utilitaire HMT140	34
Configurer le matériel du HMT140	35
Raccorder le HMT140 à votre réseau	35
Information de référence rapide	36
Assistance technique	37
Retours produit	37
Garantie	37

Avertissements.....	38
Données techniques	38
日本語.....	43
製品概要.....	43
寸法	44
プローブアセンブリとダクト取り付けキット.....	45
接続と配線.....	46
HMT140 部品構成図	46
HMT140 ユーティリティソフトウェアをインストールする ..	48
HMT140 ハードウェアをセットアップする.....	49
HMT140 をネットワークに接続する.....	49
クイックリファレンス情報	51
技術サポート.....	51
製品の返送.....	52
保証.....	52
警告.....	52
技術データ	52
中文.....	57
产品简介.....	57
尺寸	58
管道安装套件所带的探头组件.....	59
连接与配线	60
HMT140 组件图.....	60
安装 HMT140 实用工具软件.....	62
设置 HMT140 硬件	63
将 HMT140 连接到网络	63
快速参考信息.....	64
技术支持.....	64
产品退回.....	65
质保.....	65
警告.....	65
技术数据.....	66
DRILLING TEMPLATE	71
BOHRSCHABLONE	71
GABARIT DE PERÇAGE.....	71
穴あけ用テンプレート.....	71
钻孔模板.....	71

ENGLISH

Product Overview



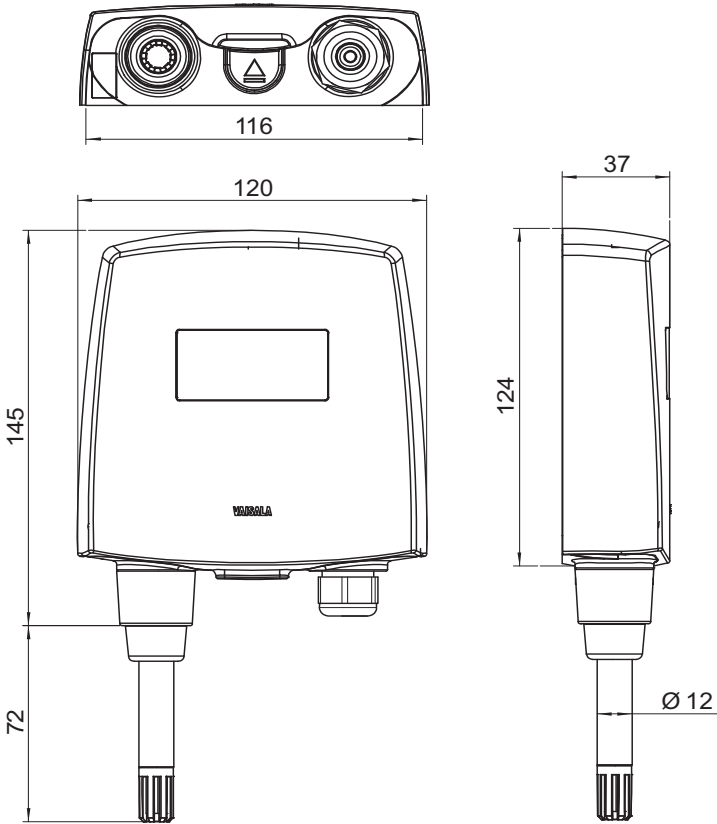
The Vaisala HUMICAP[®] Humidity and Temperature HMT140 Wi-Fi Data Logger measures relative humidity and temperature using the connected probe and analog signals – RTD, Voltage, Current Loops and Boolean Contacts. It is powered with three 3.6 Volt DC batteries (or an optional 9-30VDC power supply), outputs data via wireless transmitter, and comes with or without an optional LCD display.

The HMT140 series of transmission devices supports several different signal measurements. Available channel types are Relative Humidity (RH) and Temperature (T), RTD, Boolean Contact, Voltage and Current. The channel types are set at the factory during time of order. Other wireless parameters can be changed afterward using the configuration port and included software.

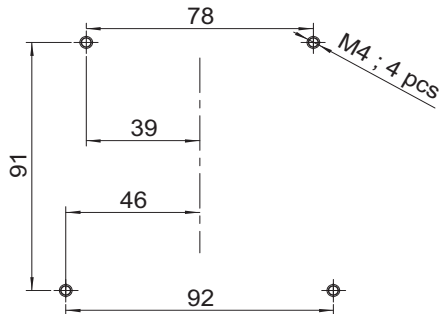
The HMT140 is available either with a fixed probe directly attached to the data logger housing or a remote probe with different (3/5/10m) cable lengths.

The HMT140 is also available with an optional LCD display without backlight. It is typically installed mounted on the wall with up to four screws (not included). Duct installation kits are available as accessories. There is a drilling template inside the back cover of this guide to help you position the screws correctly.

Dimensions

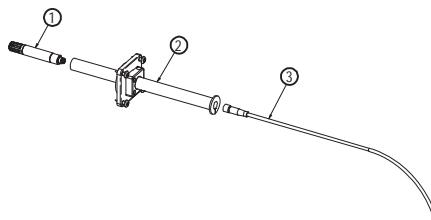


Wall Assembly dimensions



Probe Assembly with Duct Installation Kit

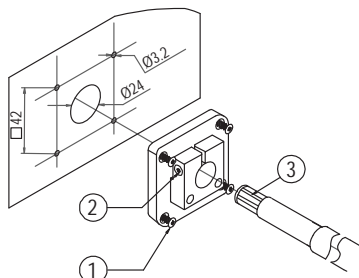
- 1 Probe (HMP110D)
- 2 Duct installation kit
- 3 Probe cable



To assemble the probe:

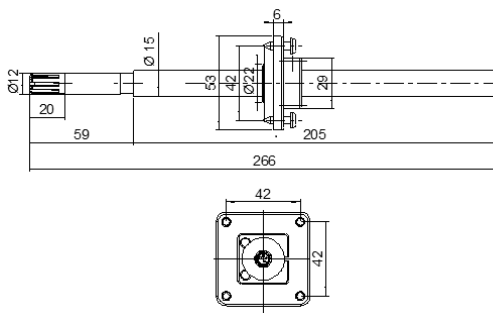
1. Pass the probe cable through the plastic pipe of the duct installation kit.
2. Connect the probe cable to the HMP110D.

- 1 Mounting screw
- 2 Tension screw
- 3 HMP110D assembled in duct installation kit plastic pipe



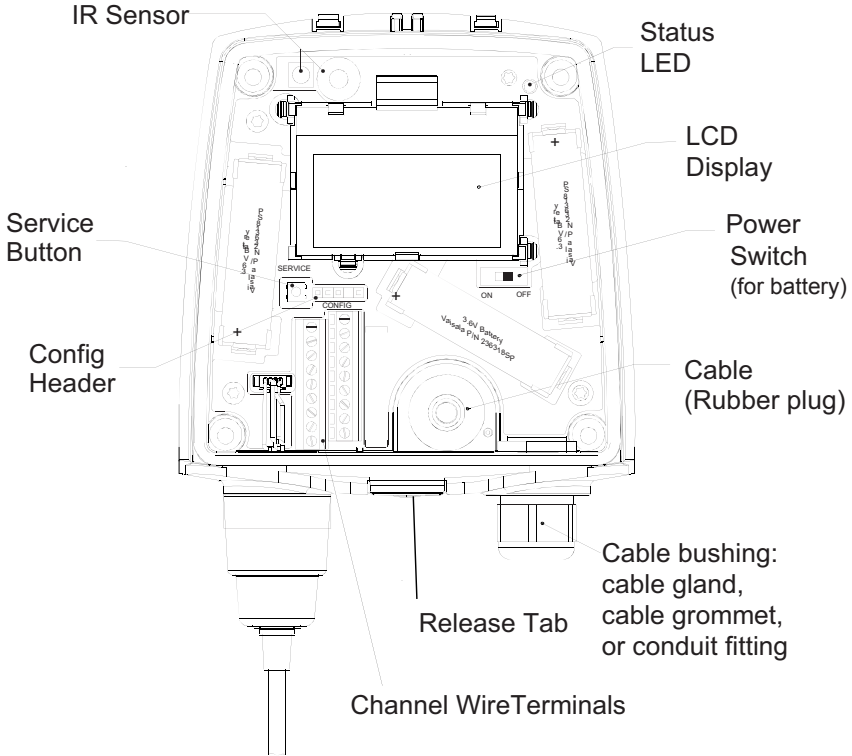
To attach the probe assembly to the duct:

1. Drill the holes for the duct installation kit as follows:
 - Use a 24-mm drill bit to drill a hole in the wall.
 - Use a 3.2-mm drill bit to make four holes for the installation screws (four ST4.2×16-C-Z DIN 7981 screws). The holes should be arranged in a square around the 24 mm hole, at a distance of 42 mm from each other.
2. Mount the probe holder using the screws.
3. Adjust the depth of the plastic pipe and tighten the screw to lock the probe in place.



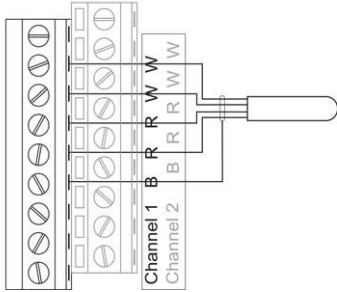
Connections and Wiring

HMT140 Components Diagram

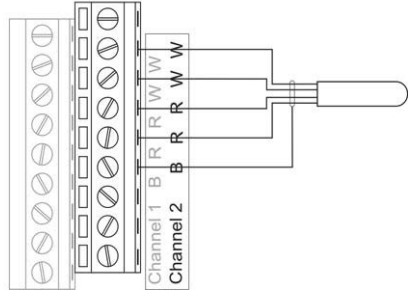


1) RTD Wiring Diagram

Channel 1: RTD

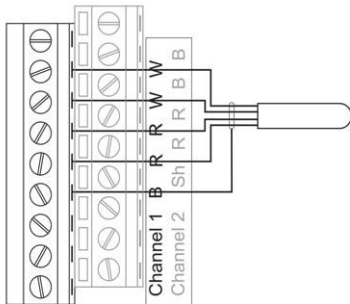


Channel 2: RTD

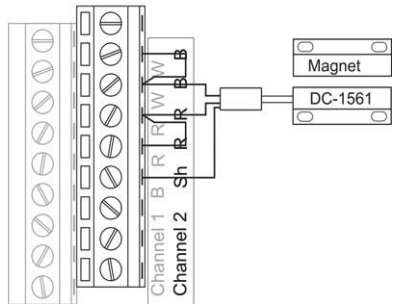


2) RTD and Boolean Wiring Diagram

Channel 1: RTD

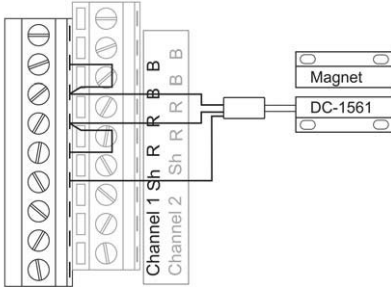


Channel 2: Boolean
(Magnetic Switch)

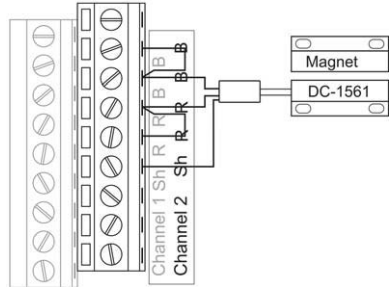


3) Boolean Wiring Diagram

Channel 1: Boolean
(Magnetic Switch)

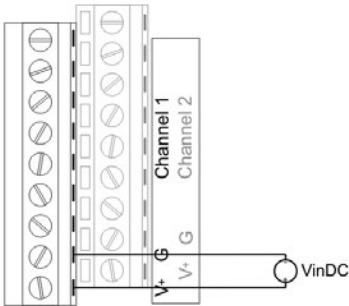


Channel 2: Boolean
(Magnetic Switch)

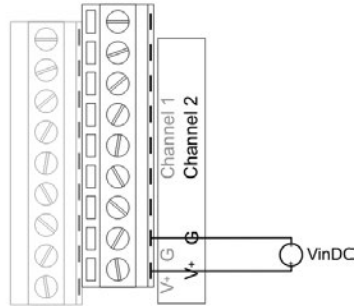


4) Voltage Wiring Diagram

Channel 1: DC Voltage



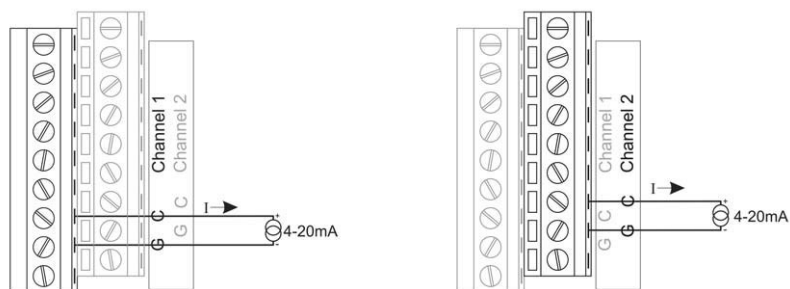
Channel 2: DC Voltage



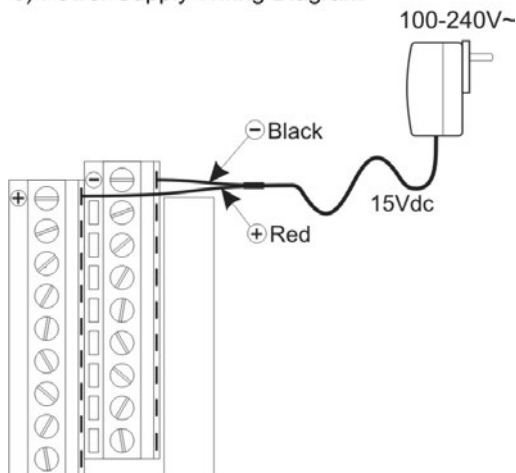
5) Current Wiring Diagram

Channel 1: Current Loop 4-20mA

Channel 2: Current Loop 4-20mA



6) Power Supply Wiring Diagram



Install the HMT140 Utility Software

Install the HMT140 Utility software to configure the HMT140 for use on your network. The software is compatible with Windows 2000, Windows XP, Windows 7, and Windows Server 2003.

To install the HMT140 Utility software:

1. Disconnect the HMT140 Configuration Cable if it is already connected to your PC.
2. Insert the CD that came with the HMT140 Configuration Cable, or download the software from <http://www.vaisala.com/hmt140>.

3. Run the HMT140 Utility installation program (HMT140UtilitySetup.exe).
4. Accept the license agreement terms, then click **Next** to accept the installation default settings. The installation of the driver may take several minutes.
5. After the software is installed, connect the HMT140 Configuration Cable to a USB port on your PC to complete the installation setup.
6. When the installation is complete, disconnect the cable from your PC. You are now ready to set up and configure your device.

If you wish to remove the Vaisala HMT140 Utility software at a later date, use the uninstall function in the Windows Control Panel.

Set up the HMT140 Hardware

To set up the HMT140 for the first time:

1. Ensure the HMT140 Configuration Cable is disconnected from your PC.
2. Open the HMT140 case by pulling out and up with your fingers while pressing the release tab located between the two glands with your thumb. (See the HMT140 Components Diagram, in the Wiring and Connections section for location of release tab). Pry case open with a slot screwdriver if you are unable to open the case by hand.
3. Ensure the power switch on the device is in the OFF position.
4. Install three 3.6V lithium batteries as indicated on the HMT140 Components diagram. Note: Use only part # 236318SP Vaisala 3.6V Lithium Thionyl Chloride batteries
5. Ensure that the HMT140 Configuration Cable is not connected to the HMT140.
6. Turn the power switch on the device to the ON position, and wait for the setup process to complete (five seconds).

Connect the HMT140 to your Network

After you install the HMT140 Utility and set up the HMT140, use the Configuration Cable and HMT140 Utility software to connect and configure the HMT140 to your network.

To configure the HMT140 for your network:

1. Ensure the HMT140 case is open and the correct batteries are installed (Vaisala part #23618SP).
2. Turn on the HMT140 and wait five seconds to ensure the startup process completes.
3. Plug the USB connector on the HMT140 Configuration Cable to the computer, if it is not already connected.
4. From the **Start** menu, open the HMT140 Utility.
5. Connect the end of the HMT140 Configuration Cable labelled, **USB Wi-Fi Programmer**, to the 4-pin HMT140 CONFIG header.
6. On the HMT140 Utility **Setup** tab, click **Retrieve**.
7. If the IP address is static, uncheck the **IP Address Dynamically Assigned** option and enter the network parameters. Otherwise leave this option checked.

8. Enter the parameters for the **WLAN** (wireless LAN router settings).
9. Enter the Destination IP address/name and port number of the host (viewLinc server settings).
Note: If you do not know the information to enter for steps 6-9, please request these parameters from your network administrator.
10. Click the **Sensor** tab and select a **Transmit Period Time** and number of **Tries**, or accept the default settings.
11. Click **Update**. The HMT140 Utility will configure the HMT140.
12. Select the **Status** tab to check that the settings appear as configured. Click **Get** if the settings do not appear automatically.
13. Disconnect the HMT140 Configuration Cable from the HMT140 and wait for 8 seconds.
14. Press the SERVICE button on the HMT140. Optional: Enter a name for the saved settings on the **Setup** tab in the **Saved Settings** field, and click the disk icon to save.

Refer to the Vaisala viewLinc Administrator Guide to add additional HMT140 devices.

Quick Reference Information

To replace the batteries and reset the battery meter of the HMT140:

1. Open the HMT140 case by pulling out and up with your fingers while pressing the release tab located between the two glands with your thumb (see the HMT140 components diagram).
2. Turn the power switch off.
3. Remove the batteries by pulling them up firmly. If the battery does not come out easily, one of the battery tabs can be pulled out gently while pulling up.
4. After replacing the batteries (use only part # 236318SP Vaisala 3.6V Lithium Thionyl Chloride batteries), press and hold the SERVICE button and turn the power switch on. The LED light will flash and the device will beep 8 times.
5. Release the SERVICE button.

To trigger data packet transmission using the IR Sensor:

1. Ensure the HMT140 Configuration Cable is disconnected from the HMT140. This will set the HMT140 to Sensor mode.
2. Turn on the HMT140 and wait for the display to turn on, then off.
3. Place your hand over the IR Sensor and leave it covered for 5 seconds. The display will turn off and then on again, and will then beep twice to confirm transmission. The HMT140 will then attempt to connect and transmit data to the host server.

Technical Support

The complete HMT140 User's Guide is available in English at www.vaisala.com/hmt140.

For technical questions, contact Vaisala technical support by e-mail at helpdesk@vaisala.com. Provide the following information:

- Name and model of the product
- Serial number of the product
- Name and location of the installation site
- Name and contact information of a technical support person at your company who can provide further information on the problem.

Product Returns

If the product must be returned for service, see www.vaisala.com/returns. To contact a Vaisala Service Center, see www.vaisala.com/servicecenters.

Warranty

For more information and our standard warranty terms and conditions: www.vaisala.com/warranty.

Please observe that any such warranty may not be valid in case of damage due to normal wear and tear, exceptional operating conditions, negligent handling or installation, or unauthorized modifications. Please see the applicable supply contract or Conditions of Sale for details of the warranty for each product.

Warnings

⚠ Remove batteries before shipping.

Technical Data

Humicap Relative Humidity Measurement Specifications (With HMP110D)

Property	Description / Value
Measurement range	0 ... 100 % RH
Accuracy (including non-linearity, hysteresis, and repeatability): at 0 ... +40 °C (+32 ... +104 °F)	±1.7 %RH (0 ... 90 % RH) ±2.5 %RH (90 ... 100 % RH)
at -40 ... 0 °C and +40 ... +80 °C (-40 ... +32 °F and +104...+176 °F)	±3.0 %RH (0 ... 90 % RH) ±4.0 %RH (90 ... 100 % RH)
Factory calibration uncertainty at 20 °C (+68 °F)	±1.5 %RH
Humidity sensor	HUMICAP® 180R
Stability	±2 %RH over 2 years

Humicap Temperature Measurement Specifications (With HMP110D)

Property	Description / Value
Measurement range	-40 ... +80 °C (-40 ... +176 °F)
Accuracy over temperature range: at +15 ... +25 °C (+59 ... +77 °F) at 0 ... +15 °C and +25 ... +40 °C (+32 ... +59 °F and +77 ... +104 °F) at -40 ... 0 °C and +40 ... +80 °C (-40 ... +32 °F and +104 ... +176 °F)	±0.2 °C (±0.36 °F) ±0.25 °C (±0.45 °F) ±0.4 °C (±0.72 °F)
Temperature sensor	Pt1000 RTD 1/3 Class B IEC 751

Analog Inputs

Property	Description / Value
Current input signals	0-22 mA Resolution: 0.67 µA Accuracy: ±0.15 % F.S. at +25 °C Input Impedance: 62 Ohms Overload Protection: 40 mA max.
Voltage input signals	0-5 V, 0-10 V Resolution 0.0034% F.S. Accuracy: ±0.15 % F.S. at +25 °C Input Impedance: 37K Ohms Overload Protection: 50 Volts max.
Boolean Contact input signals	Open / Closed with magnetic reed switch cable connections (Dry Contact)
Isolation	One common per logger
Resistive Temperature input signal	Pt 100 RTD / 4 wire Class A IEC 751 Input Impedance: 5.1K Ohms
RTD Measurement range	-196 °C to +90 °C
RTD Accuracy over temperature range	-196 to -90 +/- 2.5 °C -90 to -30 +/- 0.75 °C -30 to 0 +/- 0.5 °C 0 to 50 +/- 0.25 °C 50 to 90 +/- 0.75 °C

External Power Supply Options

Property	Description / Value
External source	9V DC to 28VDC
Current rating	1.7A to 1.5A DC
Power	15 Watt

Humicap Operating Environment Specifications

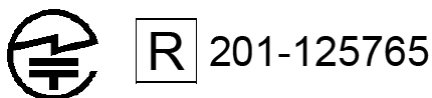
Property	Description / Value
Operating temperature range	
Transmitter body, no display	-40 ... +60 °C (-40 ... +140 °F)
Transmitter body, with display	-20 ... +60 °C (-4 ... +140 °F)
HMP110D probe	-40 ... +80 °C (-40 ... +176 °F)
Storage temperature range	-50 ... +70 °C (-58 ... +158 °F)
Electromagnetic compatibility	EN 61326-1:2006 Electrical equipment for measurement, control and laboratory use - EMC requirements - Basic immunity test requirements EN 55022:2006 + Am 1:2007 Information technology equipment - Radio disturbance characteristics - Limits and methods of measurement. Class B.

Mechanics Specifications

Property	Description / Value
Operating Temperature Range	
Transmitter body, no display	-40°C ...+60°C
Transmitter body, with display	-20°C ...+60°C
Material	
Transmitter housing	PBT plastic
Display window	PC plastic
Probe body	Stainless steel (AISI 316)
Probe grid filter	Chrome coated ABS plastic
Housing classification	IP65 (NEMA 4)
Connections	
Screw terminals	26 AWG ... 20 AWG
HMP110D Probe interface	4-pin M8 female panel connector
HMP110D Probe cable lengths	3 m, 5 m, cables can be cascaded up to maximum of 10 m
RTD Temperature Sensor	
Sensor tip material	Stainless steel (AISI 316)
Sensor tip length	50.8 mm
Sensor tip diameter	4.76 mm
Cable length	5 m
Hermetic Door Switch Sensor	
Cable length	7.6 m
Display (optional)	128 x 64 resolution full graphics B&W display without backlight
Weight (Wall model, including probe)	300 g

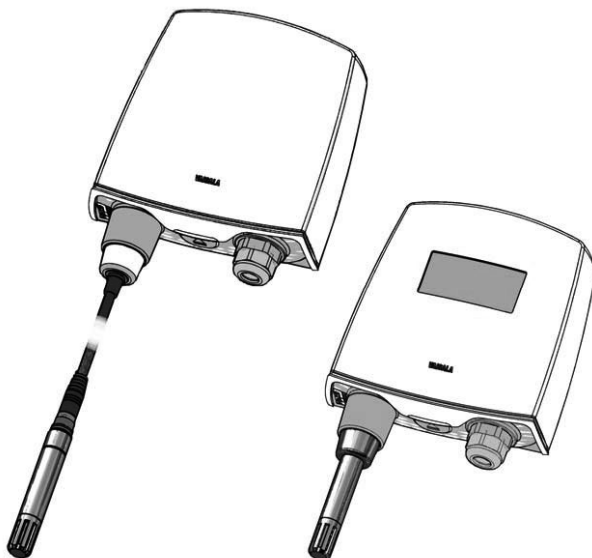
Wireless Specifications

Property	Description / Value
Networking Standards	IEEE 802.11 b/g
Frequency Band	2412 ~ 2480MHz
Modulation	802.11b compatibility: DSSS(CCK-11, CCK-5.5, DQPSK-2, DBPSK-1) 802.11g: OFDM (default)
Channel intervals	5MHz
Channels	1 - 14
Wi-Fi Security	WEP (128-bit), WPA, WPA2 (Personal)
Output Power	+18dBm (63mW)
Receiver Sensitivity	-85dBm typical
Antenna	Onboard Whip
Data Rates	802.11 b: 1, 2, 5.5, 11 Mbps; 802.11 g: 6, 9, 12, 18, 24, 36, 48, 54 Mbps
Certifications	FCC: U3O-G2M5477 (FCC Part 15 Subpart B: 2008 Class B, FCC CRF Title 47 Part 15 Subpart C). IC: 8169A-G2M5477 (IC RSS-210). CE: EU ID # 0681 (ETSI EN301 489-1 V1.8.1, 489-17 V2.1.1, ETSI EN300 328 V1.7.1, EN55022 Class B, EN61000 4-2, 4-3, 4-6, 4-8, EN60950-1:2001+A11:2004) Wi-Fi Certified: WFA7649
Certifications (Cont.)	FCC 47 CFR Part 15-2011 Subpart B. IC ICES-003:2004, EN61326-1:2006 EN61326-2-3:2006 EN61000-3-2:2006+A1:2009+A2:2009 EN61000-3-3:2008 EN61326-1:2006 MIC R 201-125765 CMIIT ID: 2013DJ7129



DEUTSCH

Produktübersicht



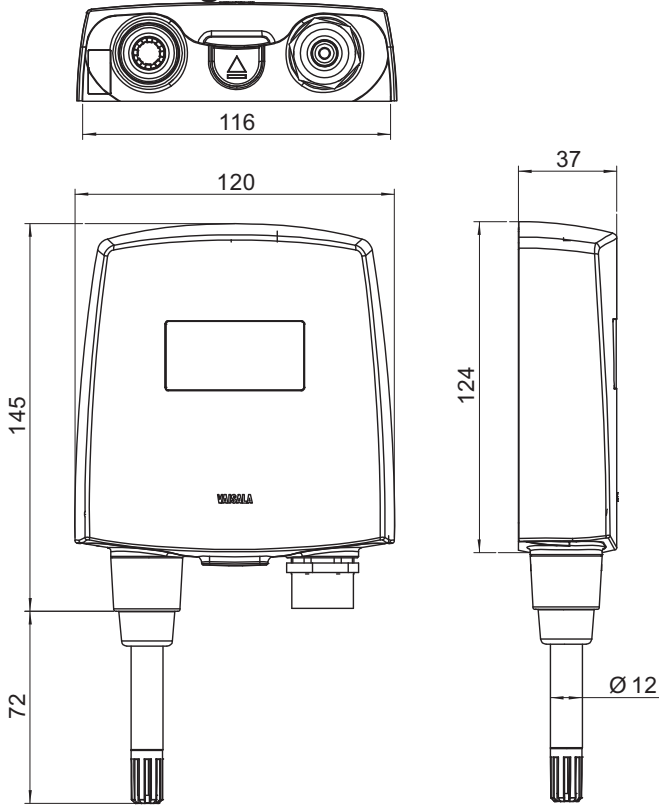
Der Vaisala HUMICAP[®] Drahtlosmesswertgeber HMT140 für Feuchte und Temperatur misst relative Luftfeuchte und Temperatur mit der angeschlossenen Sonde und gibt Analogsignale aus – RTD (Widerstands-Temperaturmessung), Spannung, Stromschleifen und boolesche Kontakte. Er wird von drei Batterien mit 3,6 V oder einem optionalen Netzteil (9–30 V DC) gespeist, gibt die Daten über den Funksender aus und kann optional mit einer LCD-Anzeige ausgestattet sein.

Der Messwertgeber HMT140 unterstützt verschiedene Messwertsignale. Verfügbar sind Kanäle für relative Feuchte (rF) und Temperatur (T), RTD (Widerstands-Temperaturmessung), boolesche Kontakte, Spannung und Strom. Die Kanäle werden nach der Bestellung des Messwertgebers werkseitig konfiguriert. Andere Parameter für die drahtlose Datenübertragung können über die Konfigurationsschnittstelle und das mitgelieferte Dienstprogramm konfiguriert werden.

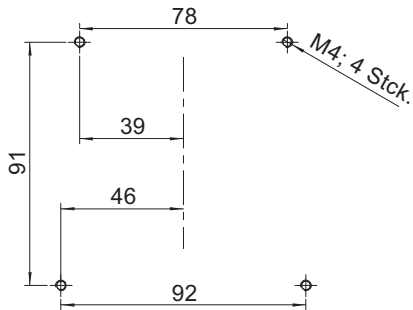
Der HMT140 ist wahlweise mit einer direkt am Messwertgebergehäuse befestigten Sonde oder mit einer Fernsonde mit unterschiedlichen Kabellängen (3/5/10 m) erhältlich.

Für den HMT140 steht auch eine optionale LCD-Anzeige ohne Hintergrundbeleuchtung zur Verfügung. Das Gerät wird in der Regel mit bis zu vier Schrauben (nicht im Lieferumfang enthalten) an der Wand montiert. Kabelmontagesätze sind als Zubehör erhältlich. Die Bohrschablone auf der hinteren Umschlaginnenseite dieses Handbuchs hilft Ihnen bei der korrekten Positionierung der Schrauben.

Abmessungen

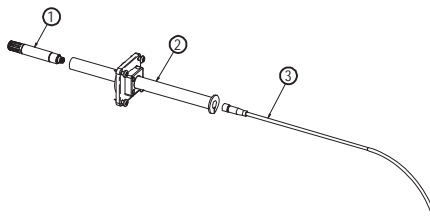


Abmessungen für die Wandmontage



Sondenbaugruppe mit Schachteinbausatz

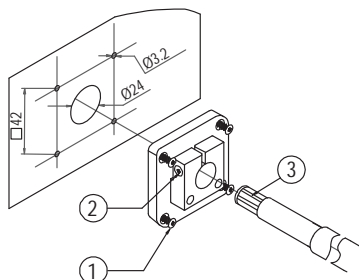
- 1 Sonde (HMP110D)
- 2 Schachteinbausatz
- 3 Sondenkabel



Zusammenbau der Sonde:

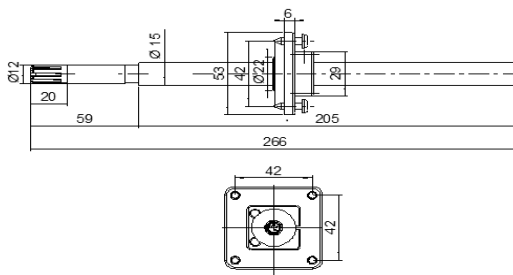
1. Das Sondenkabel durch das Kunststoffrohr des Schachteinbausatzes verlegen.
2. Das Sondenkabel an die HMP110D anschließen.

- 1 Befestigungsschrauben
 - 2 Spannschraube
 - 3 HMP110D
- zusammenggebaut in
Schachteinbausatz,
Kunststoffrohr

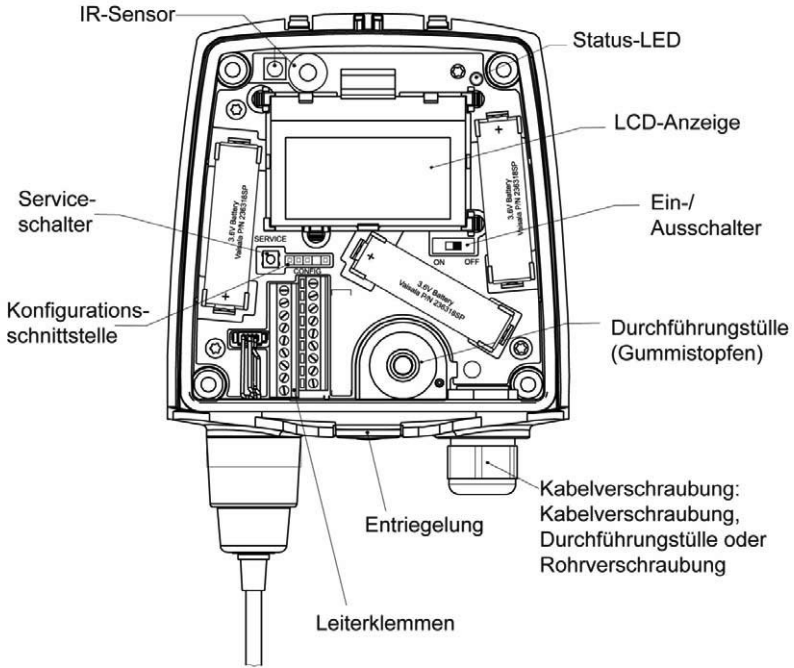


Befestigen der Sondenbaugruppe am Schacht:

1. Wie folgt Löcher für den Schachteinbausatz bohren:
 - Mit einem 24-mm-Bohrer ein Loch in die Wand bohren.
 - Mit einem 3,2-mm-Bohrer vier Löcher für die Schrauben bohren (vier ST4.2×16-C-Z DIN 7981-Schrauben). Die Löcher müssen in einem Abstand von jeweils 42 mm voneinander in einem Quadrat um das Loch mit 24 mm Durchmesser angeordnet sein.
2. Den Sondenhalter mit den Schrauben befestigen.
3. Die Tiefe des Kunststoffrohrs einstellen und die Schraube festziehen, um die Sonde zu fixieren.



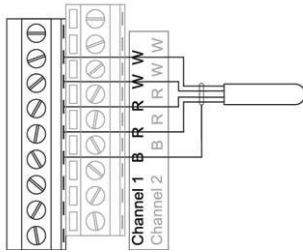
Anschlüsse und Verkabelung



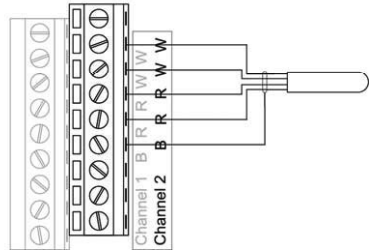
HMT140 - Komponentendiagramm

1) RTD-Verdrahtungsdiagramm

Kanal 1: RTD

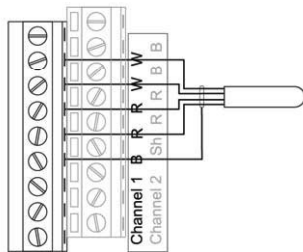


Kanal 2: RTD

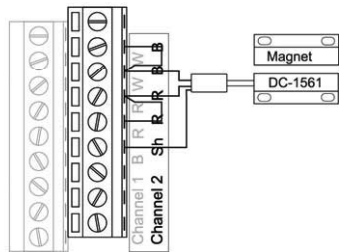


2) RTD- und boolesches Verdrahtungsdiagramm

Kanal 1: RTD

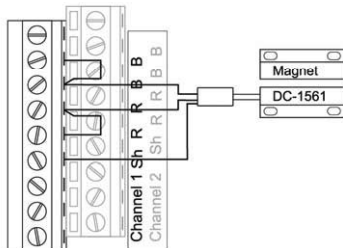


Kanal 2: Boolesch
(Magnetschalter)

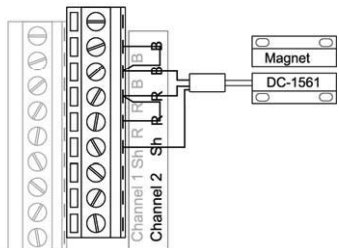


3) Boolesches Verdrahtungsdiagramm

Kanal 1: Boolesch
(Magnetschalter)



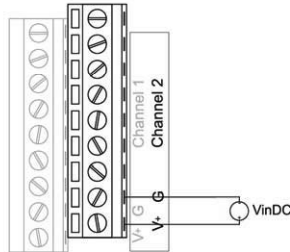
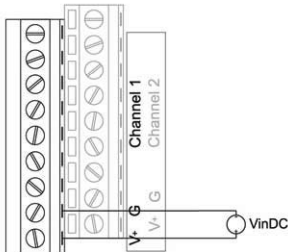
Kanal 2: Boolesch
(Magnetschalter)



4) Verdrahtungsdiagramm für Spannung

Kanal 1: Gleichspannung

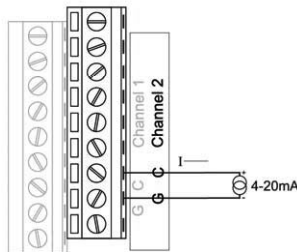
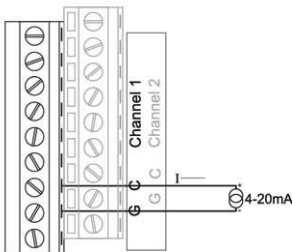
Kanal 2: Gleichspannung



5) Verdrahtungsdiagramm für Strom

Kanal 1: Stromschleife 4–20 mA

Kanal 2: Stromschleife 4–20 mA



Die HMT140 Dienstprogramm-Software installieren

Die HMT140 Dienstprogramm-Software installieren, um die HMT140 für die Verwendung im Netzwerk zu konfigurieren. Die Software ist mit Windows 2000, Windows XP, Windows 7 und Windows Server 2003 kompatibel.

Installieren der HMT140 Dienstprogramm-Software:

1. Das HMT140-Konfigurationskabel abklemmen, wenn es bereits an den PC angeschlossen ist.
2. Die CD, die mit dem HMT140-Konfigurationskabel mitgeliefert wurde, einlegen oder die Software von <http://www.vaisala.com/hmt140> herunterladen.
3. Das HMT140 Dienstprogramm-Installationsprogramm ausführen (HMT140UtilitySetup.exe).
4. Die Bedingungen der Lizenzvereinbarung akzeptieren, dann auf **Weiter** klicken, um die Installations-Standardinstellungen zu

- akzeptieren. Die Installation des Treibers kann einige Minuten dauern.
5. Nachdem die Software installiert ist, das HMT140-Konfigurationskabel an einen USB-Port am PC anschließen, um das Installations-Setup abzuschließen.
 6. Wenn die Installation abgeschlossen, das Kabel vom PC abziehen. Sie sind nun bereit, das Gerät einzurichten und zu konfigurieren.

Wenn Sie die Vaisala HMT140 Dienstprogramm-Software später entfernen möchten, verwenden Sie dazu die Deinstallationsfunktion in der Windows Systemsteuerung.

Einrichten der HMT140 Hardware

Erstmaliges Einrichten der HMT140:

1. Sicherstellen, dass das HMT140-Konfigurationskabel vom PC abgezogen ist.
2. Das HMT140-Gehäuse öffnen, indem es mit dem Fingern heraus und nach oben gezogen und gleichzeitig die Zunge mit dem Daumen zwischen die beiden Noppen gepresst wird. (Die Lage der Zunge ist im HMT140-Komponentendiagramm im Abschnitt „Verkabelung und Anschlüsse“ angegeben). Das Gehäuse mit einem Flachklingschraubendreher aufdrücken, falls es nicht mit den Fingern geöffnet werden kann.
3. Sicherstellen, dass der Netzschalter auf dem Gerät auf AUS gestellt ist.
4. Drei 3,6-V-Lithiumakkus einsetzen, wie im HMT140-Komponentendiagramm angegeben. Hinweis: Nur Vaisala Lithiumthionylchlorid-Akkus, Teile-Nr. 236318SP verwenden
5. Sicherstellen, dass das HMT140-Konfigurationskabel nicht an die HMT140 angeschlossen ist.
6. Den Netzschalter am Gerät auf EIN schalten und warten, bis der Setup-Vorgang abgeschlossen ist (nach fünf Sekunden).

Die HMT140 an das Netzwerk anschließen

Nach Installation des HMT140 Dienstprogramms und Setup der HMT140, kann die HMT140 mit dem Konfigurationskabel und der HMT140 Dienstprogramm-Software an das System angeschlossen und für dieses konfiguriert werden.

Konfigurieren der HMT140 für das Netzwerk:

1. Sicherstellen, dass das HMT140-Gehäuse offen ist und die richtigen Akkus (Vaisala Teile-Nr. #23618SP) eingesetzt wurden.
2. Die HMT140 einschalten und fünf Sekunden lang warten, um sicherzustellen, dass der Inbetriebnahmevorgang abgeschlossen ist.
3. Den USB-Steckverbinder am HMT140-Konfigurationskabel an den Computer anschließen (sofern noch nicht gemacht).
4. Im Menü **Start** das HMT140 Dienstprogramm öffnen.

5. Das Ende des HMT140-Konfigurationskabels mit der Bezeichnung **USB Wi-Fi Programmer** an den 4-poligen HMT140 CONFIG-Kopf anschließen.
6. Auf der Registerkarte **Setup** des HMT140 Dienstprogramms auf **Einlesen** klicken.
7. Wenn die IP-Adresse statisch ist, das Kontrollkästchen **IP-Adresse dynamisch zugewiesen** deaktivieren und die Netzwerkparameter eingeben. Andernfalls dieses Kontrollkästchen aktiviert lassen.
8. Die Parameter für **WLAN** (Einstellungen für Wireless-LAN-Router) eingeben.
9. Adresse/Namen des Ziels und Port-Nummer des Hosts (viewLinc Server-Einstellungen) eingeben.
Hinweis: Wenn die Informationen für die Eingaben in Schritten 6-9 nicht bekannt sind, müssen diese vom Netzwerkverwalter angefordert werden.
10. Klicken Sie auf die Registerkarte **Sonde** und wählen Sie eine **Übertragungsdauer** und Anzahl der **Versuche** aus oder übernehmen Sie die Standardeinstellungen.
11. Klicken Sie auf **Aktualisieren**. Das HMT140 Dienstprogramm konfiguriert die HMT140.
12. Wählen Sie die Registerkarte **Status** aus, um zu prüfen, ob die Einstellungen wie konfiguriert angezeigt werden. Klicken Sie auf **Abrufen**, wenn die Einstellungen nicht automatisch angezeigt werden.
13. Ziehen Sie das HMT140-Konfigurationskabel von der HMT140 ab und warten Sie 8 Sekunden lang.
14. Drücken Sie auf der HMT140 die SERVICE-Taste. Optional: Geben Sie einen Namen für die gespeicherte Einstellungen auf der Registerkarte **Setup** in das Feld **Gespeicherte Einstellungen** ein und klicken Sie zum Speichern auf das Datenträgersymbol.

Im Vaisala viewLinc Administratorhandbuch ist beschrieben, wie weitere HMT140-Geräte hinzugefügt werden.

Kurzanleitung

Austauschen der Akkus und Zurücksetzen der Batterieanzeige der HMT140:

1. Öffnen Sie das HMT140-Gehäuse, indem es mit dem Fingern heraus und nach oben gezogen und gleichzeitig die Zunge mit dem Daumen zwischen die beiden Noppen gepresst wird (siehe HMT140-Komponentendiagramm).
2. Den Netzschalter ausschalten.
3. Die Akkus zum Entfernen fest nach oben ziehen. Wenn sich die Akkus nicht leicht entfernen lassen, kann eine der Akkuzungen behutsam nach außen gezogen werden während gleichzeitig nach oben gezogen wird.

4. Nach Austauschen der Akkus (nur Teile-Nr. 236318SP Vaisala 3,6-V-Lithiumthionylchlorid-Akkus verwenden), die SERVICE-Taste gedrückt halten und den Netzschalter einschalten. Die LED-Leuchte blinkt und das Gerät gibt 8 Signaltöne ab.
5. Die SERVICE-Taste loslassen.

Auslösen der Datenpaket-Übertragung mit dem IR-Sensor:

1. Sicherstellen, dass das HMT140-Konfigurationskabel von der HMT140 abgezogen ist. Dadurch wird die HMT140 in den Sensormodus geschaltet.
2. Die HMT140 einschalten und warten, bis sich das Display ein- und danach wieder ausschaltet.
3. Die Hand vor den IR-Sensor halten und diesen 5 Sekunden lang abdecken. Das Display schaltet sich aus und danach wieder ein; es werden zwei Signaltöne abgegeben, um die Übertragung zu bestätigen. Die HMT140 versucht eine Verbindung mit dem Hostserver herzustellen und Daten an den Hostserver zu übertragen.

Technische Unterstützung

Das vollständige HMT140 Benutzerhandbuch ist auf Englisch erhältlich unter www.vaisala.com/hmt140.

Technische Fragen richten Sie bitte per E-Mail unter helpdesk@vaisala.com an den technischen Support von Vaisala. Geben Sie folgende Informationen an:

- Name und Modell des Produktes
- Seriennummer des Produktes
- Name und Lage des Einbauorts
- Name und Kontaktinformationen eines technisch versierten Ansprechpartners im Unternehmen, der weitere Informationen über das Problem mitteilen kann.

Produktrücksendungen

Informationen zur Produktrücksendung für Wartungsarbeiten sind unter www.vaisala.com/returns verfügbar.

Kontaktinformationen für die Vaisala-Servicezentren sind unter www.vaisala.com/servicecenters verfügbar.

Garantie

Weitere Informationen und unsere Standard-Garantiebedingungen enthalten unsere Internetseiten unter: www.vaisala.com/warranty.

Diese Garantie deckt keine Verschleißschäden, Schäden infolge außergewöhnlicher Betriebsbedingungen, Schäden infolge unzulässiger Verwendung oder Montage oder Schäden infolge nicht genehmigter Modifikationen ab. Einzelheiten zum Garantiefumfang für bestimmte Produkte enthalten der zugehörige Liefervertrag und die Verkaufsbedingungen.

Warnungen

⚠ Batterien vor dem Versand herausnehmen.

Technische Daten

Humicap-Spezifikationen für die Messung der relativen Luftfeuchte (mit HMP110D)

Eigenschaft	Beschreibung/Wert
Messbereich	0 bis 100 % rF
Genauigkeit (einschl. Nichtlinearität, Hysterese und Wiederholbarkeit) bei 0 bis +40 °C (+32 bis +104 °F)	±1,7 % rF (0 bis 90 % rF) ±2,5 % rF (90 bis 100 % rF)
bei -40 bis 0 °C und +40 bis +80 °C (-40 bis +32 °F und +104 bis +176 °F)	±3,0 % rF (0 bis 90 % rF) ±4,0 % rF (90 bis 100 % rF)
Unbeständigkeit der Werkskalibrierung bei 20 °C (+68 °F)	±1,5 % rF
Luftfeuchtesensor	HUMICAP® 180R
Stabilität	±2 % rF über 2 Jahre

Optionen zur externen Stromversorgung

Eigenschaft	Beschreibung / Wert
Externe Quelle	9 V DC zu 28 V DC
Stromnennwert	1,7 A zu 0,5 A DC
Leistung	15 W

Humicap-Spezifikationen für die Messung der Temperatur (mit HMP110D)

Eigenschaft	Beschreibung/Wert
Messbereich	-40 bis +80 °C (-40 bis +176 °F)
Genauigkeit über Temperaturbereich: bei +15 bis +25 °C (+59 bis +77 °F)	±0,2 °C (±0,36 °F)
bei -0 bis 15 °C und +25 bis +40 °C (+32 bis +59 °F und +77 bis +104 °F)	±0,25 °C (±0,45 °F)
bei -40 bis 0 °C und +40 bis +80 °C (-40 bis +32 °F und +104 bis +176 °F)	±0,4 °C (±0,72 °F)
Temperatursensor	Pt1000 RTD 1/3 Klasse B IEC 751

Analogeingänge

Eigenschaft	Beschreibung/Wert
Stromeingangssignale	0–22 mA Auflösung: 0,67 μ A Präzision: $\pm 0,15$ % F.S. bei +25 °C Eingangsimpedanz: 62 Ohm Überlastschutz: max. 40 mA
Spannungseingangssignale	0–5 V, 0–10 V Auflösung 0,0034 % F.S. Präzision: $\pm 0,15$ % F.S. bei +25 °C Eingangsimpedanz: 37 kOhm Überlastschutz: 50 V max.
Eingangssignale boolescher Kontakte	Offen/Geschlossen mit Magnetreedkontakt-Kabelverbindungen (Trockenkontakt)
Isolierung	Eine pro Logger
Widerstandseingangssignal für Temperatur	Pt 100 RTD/4 Leiter Klasse A, IEC 751
RTD-Messbereich	-196 °C bis +90 °C
RTD-Genauigkeit über Temperaturbereich	-196 bis -90 +/- 2,5 °C -90 bis -30 +/- 0,75 °C -30 bis 0 +/- 0,5 °C 0 bis 50 +/- 0,25 °C 50 bis 90 +/- 0,75 °C

Spezifikationen für die Humicap-Betriebsumgebung

Eigenschaft	Beschreibung/Wert
Betriebstemperaturbereich Messwertgebergehäuse ohne Anzeige Messwertgebergehäuse mit Anzeige HMP110D-Sonde	-40 bis +60 °C (-40 bis +140 °F) -20 bis +60 °C (-4 bis +140 °F) -40 bis +80 °C (-40 bis +176 °F)
Lagertemperaturbereich	-50 bis +70 °C (-58 bis +158 °F)
Elektromagnetische Verträglichkeit (EMV)	EN 61326-1:2006 Elektrische Mess-, Steuer-, Regel- und Laborgeräte – EMV-Vorgaben – Einfache Immunitätstestanforderungen. EN 55022:2006 + Am 1:2007 Einrichtungen der Informationstechnologie – Eigenschaften von Funkstörungen – Messgrenzen und -verfahren. Klasse B.

Mechanikspezifikationen

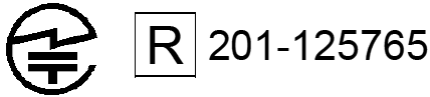
Eigenschaft	Beschreibung/Wert
Betriebstemperaturbereich Messwertgebergehäuse ohne Anzeige Messwertgebergehäuse mit Anzeige	-40°C bis +60°C -20°C bis +60°C
Material Messwertgebergehäuse Anzeigefenster Sondenkörper Sondengitterfilter	PBT-Kunststoff PC-Kunststoff Edelstahl (AISI 316) Verchromter ABS-Kunststoff
Gehäuseschutzart	IP65 (NEMA 4)
Anschlüsse Schraubklemmen HMP110D-Sondenschnittstelle	26 AWG bis 20 AWG 4-polige Steckerbuchse M8
HMP110D-Sondenkabellängen	3 m und 5 m, Kabel können bis zu einer Gesamtlänge von 10 verlängert werden
RTD-Temperatursensor Material des Messfühlers Länge des Messfühlers Durchmesser des Messfühlers Kabellänge	Edelstahl (AISI 316) 50,8 mm 4,76 mm 5 m
Sensor für hermetischen Türschalter Kabellänge	7,6 m
Anzeige (optional)	Grafische Anzeige mit einer Auflösung von 128 x 64 Schwarzweiß-Anzeige ohne Hintergrundbeleuchtung
Gewicht (Wandmodell, einschließlich Sonde)	300 g

Funkspezifikationen

Eigenschaft	Beschreibung/Wert
Netzwerkstandards	IEEE 802.11 b/g
Frequenzband	2412 ~ 2480 MHz
Modulation	802.11b-Kompatibilität: DSSS (CCK-11, CCK-5.5, DQPSK-2, DBPSK-1) 802.11g: OFDM (Standard)
Kanalintervalle	5 MHz
Kanäle	1 - 14
Wi-Fi-Sicherheit	WEP (128 Bit), WPA, WPA2 (Personal)
Ausgangsleistung	+18 dBm (63 mW)
Empfängerempfindlichkeit	-85 dBm (typisch)
Antenne	Onboard-Peitschenantenne
Datenraten	802.11 b: 1, 2, 5, 5, 11 Mb/s: 802.11 g: 6, 9, 12, 18, 24, 36, 48, 54 Mb/s
Zertifizierungen	FCC: U3O-G2M5477 (FCC Part 15 Subpart B: 2008 Class B, FCC CRF Title 47 Part 15 Subpart C). IC: 8169A-G2M5477 (IC RSS-210). CE: EU ID # 0681 (ETSI EN301 489-1 V1.8.1, 489-17 V2.1.1, ETSI EN300 328 V1.7.1, EN55022 Class B, EN61000 4-2, 4-3, 4-6, 4-8, EN60950-1:2001+A11:2004) Wi-Fi-zertifiziert: WFA7649
Zertifizierungen (Fortsetzung)	FCC 47 CFR Part 15-2011 Subpart B. IC ICES-003:2004, EN61326-1:2006 EN61326-2-3:2006 EN61000-3-2:2006+A1:2009+A2:2009 EN61000-3-3:2008 EN61326-1:2006 MIC R 201-125765 CMIIT ID: 2013DJ7129

Sonstige Eingangsspezifikationen

Eigenschaft	Beschreibung/Wert
Spannungseingänge	50 V max., Eingangsimpedanz 37 kOhm
Stromeingänge	40 mA, Eingangsimpedanz 62 Ohm
RTD-Eingänge	Keine Spannungs- oder Stromeingangskomponente, Eingangsimpedanz 5,1 kOhm



FRANÇAIS

Présentation du produit



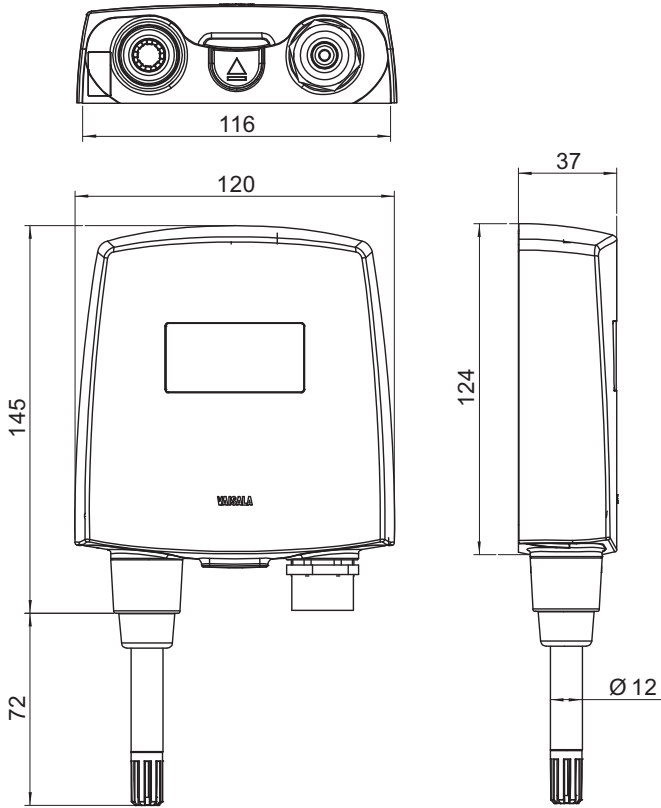
Le transmetteur d'humidité et de température sans fil Vaisala HUMICAP[®] HMT140 permet de mesurer l'humidité relative et la température à l'aide de la sonde connectée et des signaux analogiques - RTD, tension, boucles de courant et contacts booléens. Alimenté par trois piles de 3,6 volts VCC (ou une alimentation de 9-30 VCC en option), il émet des données via le transmetteur sans fil et est fourni avec ou sans écran LCD en option.

Le transmetteur HMT140 prend en charge plusieurs mesures de signal différentes. Les types de canal disponibles sont les suivants : humidité relative (HR) et température (T), RTD, contact booléen, tension et courant. Les types de canaux disponibles sont les suivants : humidité relative (HR) et température (T), RTD, contact booléen, tension et courant. Les types de canaux sont configurés en usine au moment de la commande. Les autres paramètres sans fil peuvent être modifiés par la suite en utilisant le port de configuration et l'utilitaire inclus.

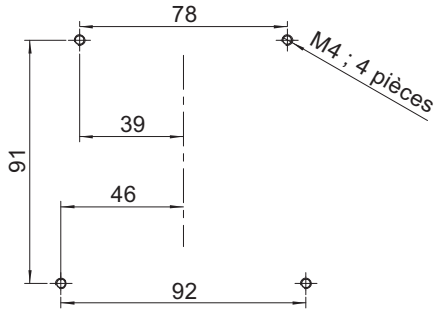
Le HMT140 est disponible soit avec une sonde fixée directement sur le boîtier du transmetteur, soit avec une sonde distante avec différentes longueurs de câble possible (3/5/10 m).

Le HMT140 est également disponible avec un écran LCD en option, sans rétroéclairage. Il est en général fixé au mur à l'aide de quatre vis (non fournies). Des kits d'installation sur gaine sont également disponibles en accessoires. À l'intérieur de la quatrième de couverture de ce guide, vous trouverez un gabarit de perçage qui vous permettra de positionner correctement les vis.

Dimensions

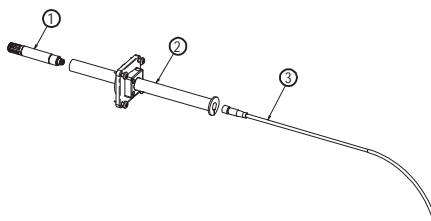


Dimensions du dispositif de montage mural



Montage de sonde avec kit d'installation de conduite

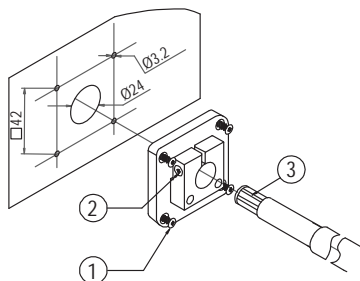
- 1 Sonde (HMP110D)
- 2 Kit d'installation de conduite
- 3 Câble de sonde



Pour monter la sonde :

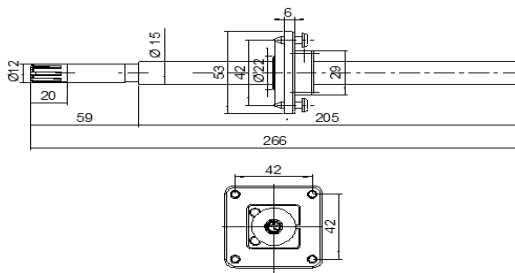
1. Faire passer le câble de sonde à travers le tuyau en plastique du kit d'installation de conduite.
2. Raccorder le câble de sonde au HMP110D.

- 1 Vis de montage
- 2 Vis de tension
- 3 HMP110D monté dans le tuyau en plastique du kit d'installation de conduite



Pour fixer le montage de sonde à la conduite :

1. Percer les orifices pour le kit d'installation de conduite comme suit :
 - Utiliser un foret de 24 mm pour percer un trou dans le mur.
 - Utiliser un foret de 3,2 mm pour faire quatre trous pour les vis de montage (quatre vis ST4.2 × 16 CZ DIN 7981). Les trous doivent être arrangés en un carré autour du trou de 24 mm, à une distance de 42 mm de l'un à l'autre.
2. Monter le support de la sonde avec les vis.
3. Ajuster la profondeur du tuyau en plastique et serrer la vis pour verrouiller la sonde en place.



Raccordements et Câblage

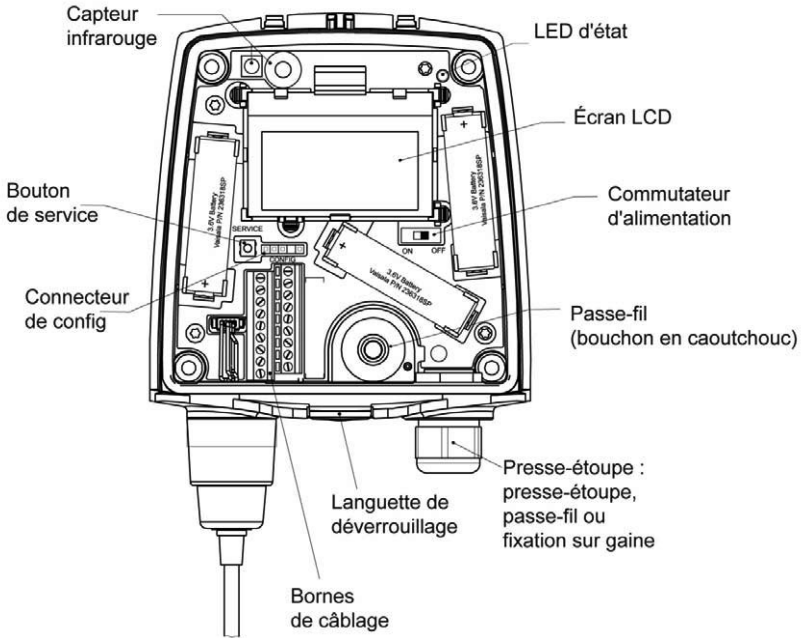
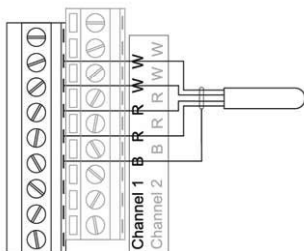


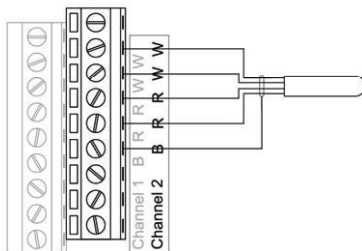
Schéma des composants du HMT140

1) Schéma de câblage RTD

Canal 1 : RTD

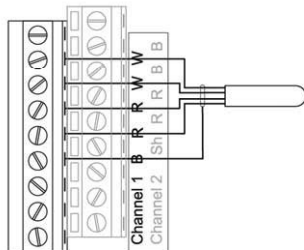


Canal 2 : RTD



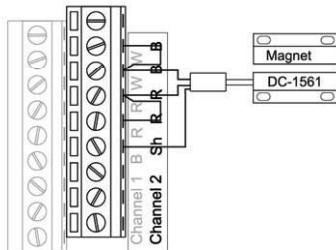
2) Schéma de câblage RTD et booléen

Canal 1 : RTD



Canal 2 : booléen

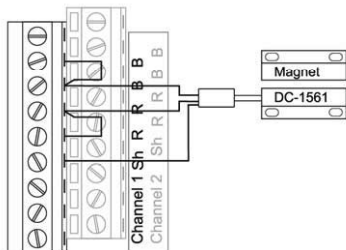
(commutateur magnétique)



3) Schéma de câblage booléen

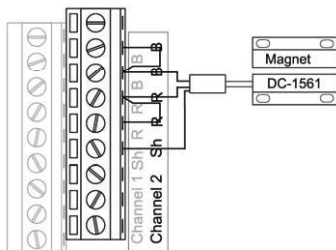
Canal 1 : booléen

(commutateur magnétique)



Canal 2 : booléen

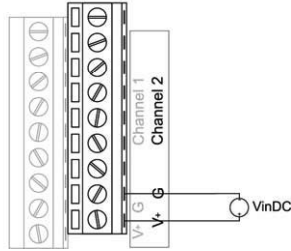
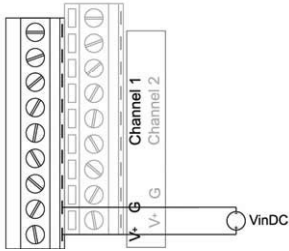
(commutateur magnétique)



4) Schéma de câblage en tension

Canal 1 : tension VCC

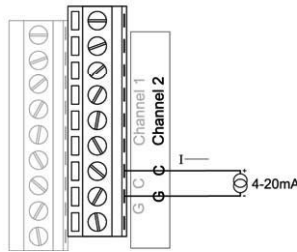
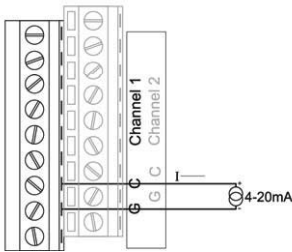
Canal 2 : tension VCC



5) Schéma de câblage en courant

Canal 1 : boucle de courant 4-20 mA

Canal 2 : boucle de courant 4-20 mA



Installer le logiciel utilitaire HMT140

Installer le logiciel utilitaire HMT140 afin de configurer le HMT140 pour l'utiliser sur votre réseau. Le logiciel est compatible avec Windows 2000, Windows XP, Windows 7 et Windows Server 2003.

Pour installer le logiciel utilitaire HMT140 :

1. Débrancher le câble de configuration du HMT140 s'il est déjà raccordé à votre ordinateur.
2. Insérer le CD fourni avec le câble de configuration du HMT140 ou télécharger le logiciel depuis le site <http://www.vaisala.com/hmt140>.
3. Exécuter le programme d'installation du logiciel utilitaire HMT140 (HMT140UtilitySetup.exe).
4. Accepter les conditions de l'accord de licence, puis cliquer sur **Suivant** pour accepter les réglages d'installation par défaut. L'installation du pilote devrait durer quelques minutes.
5. Une fois que le logiciel est installé, raccorder le câble de configuration du HMT140 à un port USB de votre ordinateur afin de terminer la configuration de l'installation.

6. Une fois que l'installation est terminée, débrancher le câble de votre ordinateur. Vous êtes maintenant prêt à paramétrer et configurer votre dispositif.

Si vous souhaitez retirer le logiciel utilitaire Vaisala HMT140 par la suite, utiliser la fonction de désinstallation dans le panneau de commande de Windows.

Configurer le matériel du HMT140

Pour configurer le HMT140 pour la première fois :

1. S'assurer que le câble de configuration du HMT140 est débranché de votre ordinateur.
2. Ouvrir le boîtier du HMT140 en tirant vers le haut avec les doigts tout en appuyant sur l'onglet de libération situé entre les deux bagues avec votre pouce. (Consulter le schéma des composants du HMT140 dans la section Câblage et connexions pour l'emplacement de l'onglet de libération). Forcer l'ouverture du boîtier à l'aide d'un tournevis plat si vous n'arrivez pas à ouvrir le boîtier à la main.
3. Veiller à ce que le commutateur d'alimentation sur le dispositif soit en position OFF (désactivé).
4. Installer trois batteries au lithium de 3,6 V conformément aux indications du schéma des composants du HMT140. Remarque : n'utiliser que des batteries au lithium-chlorure de thionyl de 3,6 V de pièce Vaisala n° 236318SP
5. Veiller à ce que le câble de configuration du HMT140 ne soit pas raccordé au HMT140.
6. Placer le commutateur d'alimentation sur le dispositif en position ON (activé) et patienter jusqu'à la fin du processus de configuration (cinq secondes).

Raccorder le HMT140 à votre réseau

Après avoir installé le logiciel utilitaire HMT140 et avoir configuré le HMT140, utiliser le câble de configuration et le logiciel utilitaire HMT140 pour raccorder et configurer le HMT140 à votre réseau.

Pour configurer le HMT140 sur votre réseau :

1. S'assurer que le boîtier du HMT140 est ouvert et que les batteries correctes sont installées (pièce Vaisala n°23618SP).
2. Activer le HMT140 et patienter cinq secondes pour assurer l'accomplissement du processus du démarrage.
3. Brancher la prise USB du câble de configuration du HMT140 sur l'ordinateur, si elle n'est pas déjà branchée.
4. Depuis le menu **Démarrer**, ouvrir l'utilitaire HMT140.
5. Raccorder l'extrémité du câble de configuration du HMT140 étiquetée **USB Wi-Fi Programmer** à l'entête à 4 broches HMT140 CONFIG.

6. Sur l'onglet **Configuration** de l'utilitaire HMT140, cliquer sur **Récupérer**.
7. Si l'adresse IP est statique, désélectionner l'option **Adresse IP attribuée automatiquement** et saisir les paramètres du réseau. Sinon, laisser cette option cochée.
8. Saisir les paramètres pour le **WLAN** (réglages du routeur du réseau local sans fil).
9. Saisir l'adresse IP/le nom de destination et le numéro de port de l'hôte (réglages du serveur viewLinc).
Remarque : Si vous ne connaissez pas les informations à saisir pour les étapes 6 à 9, veuillez demander ces paramètres à votre administrateur de réseau.
10. Cliquer sur l'onglet **Capteur**, puis sélectionner un **Délai de transmission** et le nombre de **Tentatives** ou accepter les réglages par défaut.
11. Cliquer sur **Mise à jour**. L'utilitaire HMT140 configurera le HMT140.
12. Sélectionner l'onglet **Statut** pour vérifier que les réglages sont affichés comme configurés. Cliquer sur **Obtenir** si les réglages n'apparaissent pas automatiquement.
13. Débrancher du HMT140 le câble de configuration du HMT140 et patienter 8 secondes.
14. Appuyer sur le bouton SERVICE du HMT140. Optionnel : saisir un nom pour les réglages enregistrés sur l'onglet **Configuration** dans le champ **Réglages enregistrés** et cliquer sur l'icône de disque pour enregistrer.

Consulter le Guide d'administrateur Vaisala viewLinc pour ajouter des dispositifs HMT140 supplémentaires.

Information de référence rapide

Pour remplacer les batteries et réinitialiser le compteur de batterie du HMT140 :

1. Ouvrir le boîtier du HMT140 en tirant vers le haut avec les doigts tout en appuyant sur l'onglet de libération situé entre les deux bagues avec votre pouce (consulter le schéma des composants du HMT140).
2. Couper le courant à l'aide du commutateur d'alimentation.
3. Retirer les batteries en tirant dessus fermement. Si les batteries ne sortent pas facilement, il est possible de sortir délicatement l'un des onglets de batterie en tirant vers le haut.
4. Après avoir remplacé les batteries (utiliser des batteries lithium-chlorure de thionyl de 3,6 V de pièce Vaisala n° 236318SP), appuyer longuement sur le bouton SERVICE et activer le courant à l'aide du commutateur d'alimentation. Le témoin clignote et le dispositif émet 8 bips.
5. Relâcher le bouton.

Pour lancer la transmission de paquets de données à l'aide du capteur IR :

1. S'assurer que le câble de configuration du HMT140 est débranché du HMT140. Ceci positionne le HMT140 en mode Capteur.
2. Allumer le HMT140 et attendre que l'affichage s'active, puis qu'il se désactive.
3. Placer la main sur le capteur IR et le laisser ainsi recouvert pendant 5 secondes. L'affichage s'éteint et se rallume, puis il émet deux bips pour confirmer la transmission. Le HMT140 tente alors de se connecter et de transmettre des données au serveur hôte.

Assistance technique

Le Guide de l'utilisateur complet du HMT140 est disponible en anglais sur le site www.vaisala.com/hmt140.

Pour des questions techniques, contacter l'assistance technique de Vaisala par courriel à l'adresse : helpdesk@vaisala.com. Fournir les informations suivantes :

- Nom et modèle de produit
- Numéro de série du produit
- Nom et lieu du site d'installation
- Nom et informations de contact d'une personne chargée de l'assistance technique dans votre société qui peut fournir des informations complémentaires sur le problème.

Retours produit

Pour de plus amples informations concernant les retours produit dans le cadre de la maintenance, rendez-vous sur notre page www.vaisala.com/returns.

Pour obtenir les coordonnées des Centres de service Vaisala, rendez-vous sur notre page www.vaisala.com/servicecenters.

Garantie

Rendez-vous sur notre site Internet pour obtenir de plus amples informations et consulter nos conditions de garantie standard : www.vaisala.com/warranty.

Veuillez noter qu'une telle garantie ne s'applique pas en cas de dommage dû à l'usure normale, à des conditions de fonctionnement exceptionnelles, à une négligence lors de la manipulation ou de l'installation, ou à des modifications non autorisées. Veuillez consulter le contrat de fourniture applicable ou les conditions de vente pour obtenir des détails sur la garantie de chaque produit.

Avertissements

⚠ Retirez les piles avant l'expédition.

Données techniques

Spécifications concernant la mesure de l'humidité relative Humicap (avec HMP110D)

Propriété	Description/Valeur
Plage de mesure	0 ... 100 % d'HR
Précision (y compris la non-linéarité, l'hystérésis et la répétabilité) :	
à 0 ... +40 °C (+32 ... +104 °F)	±1,7 % d'HR (0 ... 90 % d'HR) ±2,5 % d'HR (90 ... 100 % d'HR)
à -40 ... 0 °C et +40 ... +80 °C (-40 ... +32 °F et +104...+176 °F)	±3,0 % d'HR (0 ... 90 % d'HR) ±4,0 % d'HR (90 ... 100 % d'HR)
Incertitude de l'étalonnage usine à 20 °C (+68 °F)	±1,5 % d'HR
Capteur d'humidité	HUMICAP® 180R
Stabilité	±2 % d'HR pendant 2 ans

Options d'alimentation électrique externe

Propriété	Description / Valeur
Source externe	9 V cc à 28 V cc
Courant nominal	1,7 A à /0,5 A cc
Puissance	15 Watts

Spécifications relatives à la mesure de la température Humicap (avec HMP110D)

Propriété	Description/Valeur
Plage de mesure	-40 ... +80 °C (-40 ... +176 °F)
Précision au-delà de la plage de température :	
à +15 ... +25 °C (+59 ... +77 °F)	±0,2 °C (±0,36 °F)
à 0 ... +15 °C et +25 ... +40 °C (+32 ... +59 °F et +77...+104 °F)	±0,25 °C (±0,45 °F)
à -40 ... 0 °C et +40 ... +80 °C (-40 ... +32 °F et +104...+176 °F)	±0,4 °C (±0,72 °F)
Capteur de température	Pt1000 RTD 1/3 Classe B CEI 751

Entrées analogiques

Propriété	Description/Valeur
Signaux d'entrée en courant	0-22 mA Résolution : 0,67 μ A Précision : ± 0.15 % F.S. à +25 °C Impédance d'entrée : 62 ohms Protection contre les surtensions : 40 mA max.
Signaux d'entrée en courant	0-5 V, 0-10 V Résolution : 0,0034 % F.S. Précision : ± 0.15 % F.S. à +25 °C Impédance d'entrée : 37K ohms Protection contre les surtensions : 50 volts max.
Signaux d'entrée en courant	Ouvert / Fermé avec connexions par câble à contact magnétique reed (contact sec)
Isolation	Une commune par enregistreur
Signal d'entrée de température résistif	Pt 100 RTD / 4 fils) Classe A CEI 751
Plage de mesure RTD :	-196 °C à +90 °C
Précision RTD au-delà de la plage de température :	-196 à -90 +/- 2,5 °C -90 à -30 +/- 0,75 °C -30 à 0 +/- 0,5 °C 0 à 50 +/- 0,25 °C 50 à 90 +/- 0,75 °C

Spécifications relatives à l'environnement d'exploitation Humicap

Propriété	Description/Valeur
Plage des températures de fonctionnement	
Corps du transmetteur, sans écran	-40 ... +60 °C (-40 ... +140 °F)
Corps du transmetteur, avec écran	-20 ... +60 °C (-4 ... +140 °F)
Sonde HMP110D	-40 ... +80 °C (-40 ... +176 °F)
Plage des températures de stockage	-50 ... +70 °C (-58 ... +158 °F)
Compatibilité électromagnétique	EN 61326-1:2006 Matériel électrique de mesure, de commande et de laboratoire - Exigences relatives à la CEM - Exigences de base relatives aux tests d'immunité. EN 55022:2006 + Am. 1:2007 Appareils de traitement de l'information - Caractéristiques des perturbations radioélectriques - Limites et méthodes de mesure. Classe B.

Spécifications mécaniques

Propriété	Description/valeur
Plage des températures de fonctionnement Corps du transmetteur, sans écran Corps du transmetteur, avec écran	-40 °C...+60 °C -20 °C...+60 °C
Matériau Boîtier du transmetteur Fenêtre d'affichage Corps de la sonde Filtre à grille de la sonde	Plastique PBT Plastique PC Acier inoxydable (AISI 316) Plastique ABS revêtu de chrome
Classification du boîtier	IP65 (NEMA 4)
Connexions Bornes à vis Interface de la sonde HMP110D panneau	26 AWG ... 20 AWG Connecteur femelle du (4 broches M8)
Longueurs du câble de la sonde HMP110D	3 m, 5 m, les câbles peuvent aller jusqu'à 10 m au maximum
Capteur de température RTD Matériau de pointe du capteur Longueur de pointe du capteur Diamètre de pointe du capteur Longueur du câble	Acier inoxydable (AISI 316) 50,8 mm 4,76 mm 5 m
Capteur de commutateur de porte hermétique Longueur du câble	7,6 m
Écran (en option)	Résolution 128 x 64 entièrement graphique Écran N&B sans rétroéclairage
Poids (modèle pour montage mural, sonde incluse)	300 g

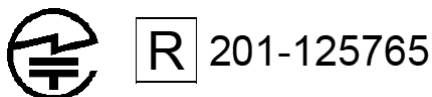
Spécifications de la technologie sans fil

Propriété	Description/valeur
Standards de mise en réseau	IEEE 802.11 b/g
Plage de fréquences	2412 ~ 2480 MHz
Modulation	802.11b Compatibilité : DSSS (CCK- 11, CCK-5.5, DQPSK-2, DBPSK-1) 802.11g : OFDM (par défaut)
Intervalles de canal	5 MHz
Canaux	1 - 14
Sécurité Wi-Fi	WEP (128 bits), WPA, WPA2 (Personnel)
Puissance de sortie	+18 dBm (63 mW)
Sensibilité du récepteur	-85 dBm typique
Antenne	Fouet embarquée
Vitesse de transfert	802.11 b : 1,2, 5,5, 11 Mbits/s : 802.11 g : 6, 9, 12, 18, 24, 36, 48, 54 Mbits/s
Certifications	FCC : U3O-G2M5477 (FCC Partie 15 Sous-partie B : 2008 Classe B, FCC CRF Titre 47 Partie 15 Sous-partie C).

Propriété	Description/valeur
Certifications (suite)	IC: 8169A-G2M5477 (IC RSS-210). CE : EU ID # 0681 (ETSI EN301 489-1 V1.8.1, 489-17 V2.1.1, ETSI EN300 328 V1.7.1, EN55022 Classe B, EN61000 4-2, 4-3, 4-6, 4-8, EN60950-1:2001+A11:2004) Certifié Wi-Fi : WFA7649 FCC 47 CFR Partie 15-2011 Sous- partie B. IC ICES-003:2004, EN61326-1:2006 EN61326-2-3:2006 EN61000-3- 2:2006+A1:2009+A2:2009 EN61000-3-3:2008 EN61326-1:2006 MIC R 201-125765 CMIIT ID: 2013DJ7129

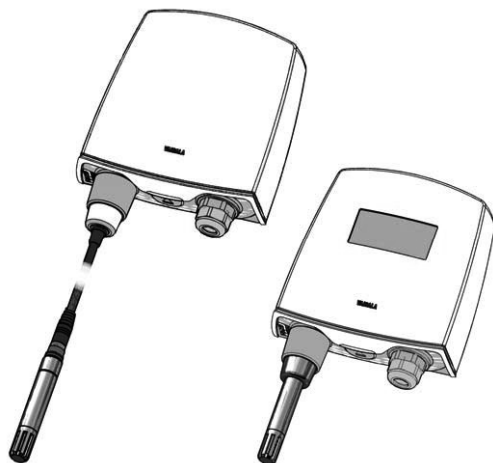
Autres spécifications sur les entrées

Propriété	Description/valeur
Entrées tension	50 volts max, impédance d'entrée 37K ohms
Entrées courant	40 mA, impédance d'entrée 62 ohms
Entrées RTD	Pas un appareil d'entrée de tension ou de courant, impédance d'entrée de 5,1K ohms



日本語

製品概要



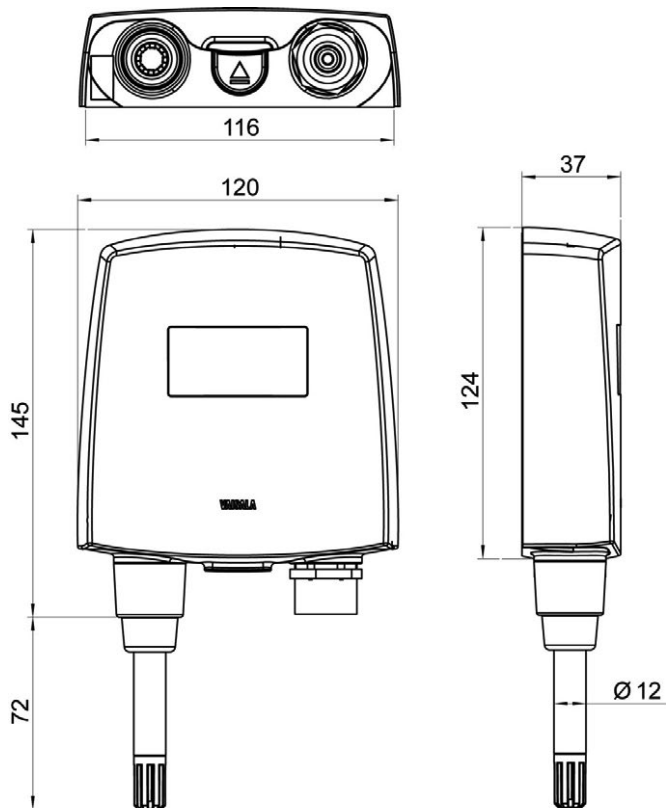
Vaisala HUMICAP® 無線湿度温度変換器 HMT140 は、接続されたプローブと、RTD、電圧、電流ループ、およびプールのアナログ信号を使用して相対湿度および温度を測定します。3つの3.6V DC バッテリー（またはオプションの9-30VDC 電源）を電源とし、無線変換器を介してデータを出します。また、標準装備またはオプションのLCD ディスプレイを使用できます。

HMT140 変換器では、複数の異なる信号測定をサポートしています。使用可能なチャンネルタイプは、相対湿度 (RH) と温度 (T)、RTD、プール接点、電圧、および電流です。チャンネルタイプは、注文時に工場ですべて初期設定されます。その他の無線パラメーターは、設定ポートおよび付属のユーティリティを使用して後で変更できます。

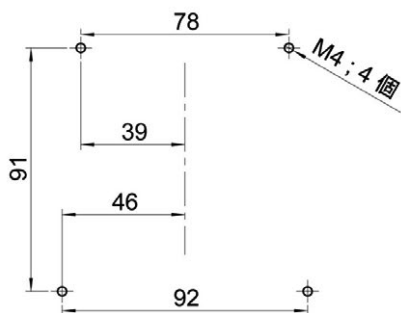
HMT140 は、変換器のハウジングに直接取り付けられた固定プローブ、またはさまざまなケーブル長 (3、5、10 m) のリモートプローブと共に使用できます。

また、オプションでバックライトなしの LCD ディスプレイも使用できます。通常、最大4つのねじ（付属していません）で壁に取り付けて設置します。ダクト取り付けキットは、アクセサリとして入手できます。このガイドの裏表紙には穴あけ用テンプレートが付属しています。このテンプレートを使用すると、ねじの正しい位置を決めることができます。

寸法

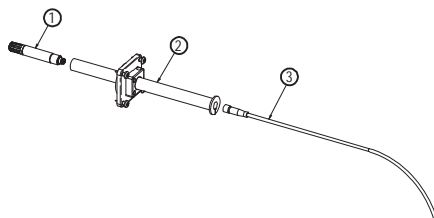


壁アセンブリの寸法



プローブアセンブリとダクト取り付けキット

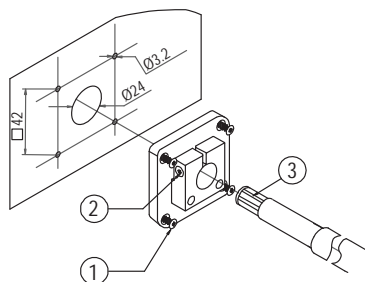
- 1 プローブ (HMP110D)
- 2 ダクト取り付けキット
- 3 プローブケーブル



プローブを組み立てるには

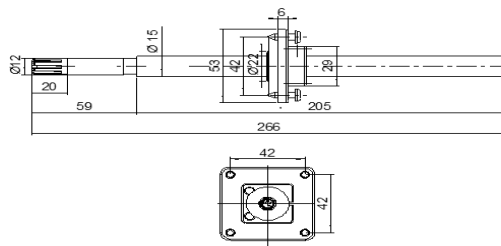
1. ダクト取り付けキットのプラスチックパイプ経由でプローブケーブルを配線します。
2. プローブケーブルを HMP110D に接続します。

- 1 取り付けネジ
- 2 張力ネジ
- 3 ダクト取り付けキットのプラスチックパイプで組み立てられた HMP110D

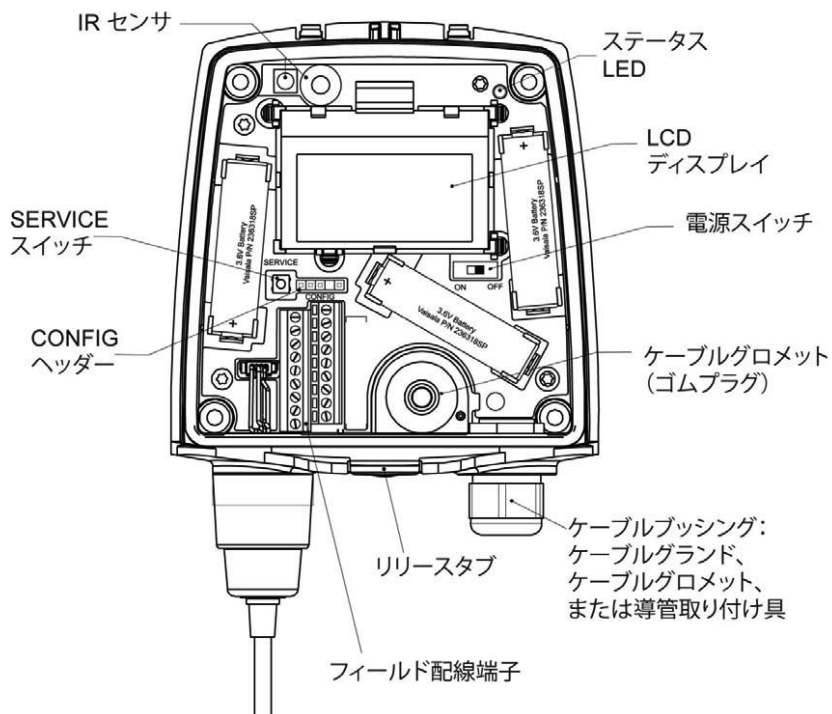


プローブアセンブリをダクトに接続するには

1. 次のようにダクト取り付けキットの穴を開けます。
 - 24 mm のドリルビットを使用して、壁に穴を開けます。
 - 3.2 mm のドリルビットを使用して、取り付けネジ用の穴を 4 つ開けます (ST4.2×16-C-Z DIN 7981 ネジ 4 本)。24 mm の穴の周囲に四角形に穴を配置し、各穴の距離が 42 mm になるようにします。
2. ネジを使用してプローブホルダーを取り付けます。
3. プラスチック製のパイプの深さを調整し、ネジを締めてプローブをロックします。



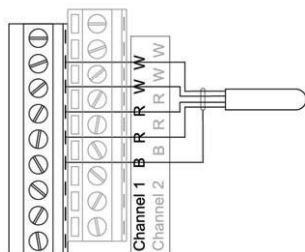
接続と配線



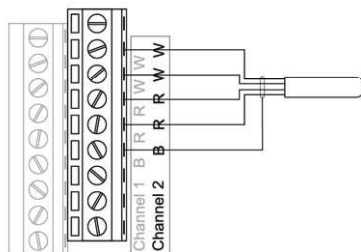
HMT140 部品構成図

1) RTD 配線図

チャンネル 1: RTD

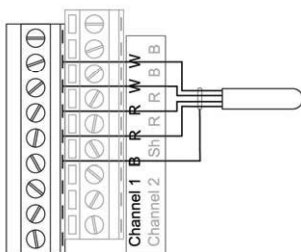
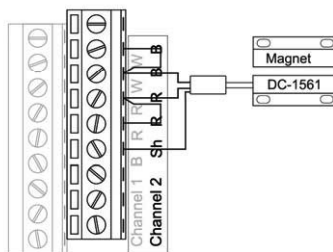


チャンネル 2: RTD

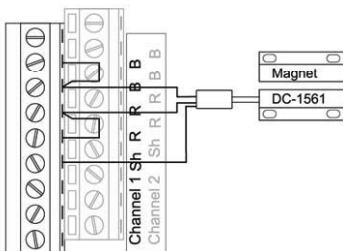
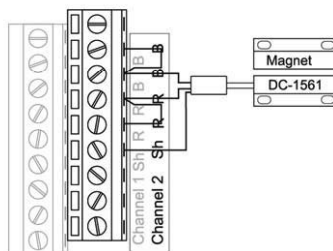


2) RTD およびプールの配線図

チャンネル 1: RTD

チャンネル 2: プール
(磁気スイッチ)

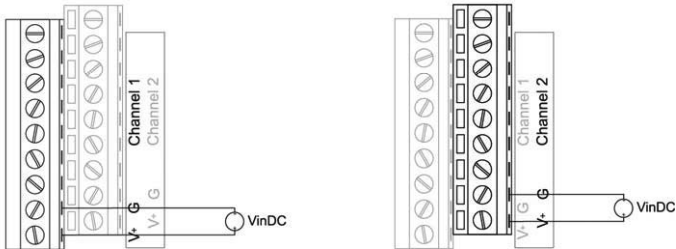
3) プール配線図

チャンネル 1: プール
(磁気スイッチ)チャンネル 2: プール
(磁気スイッチ)

4) 電圧配線図

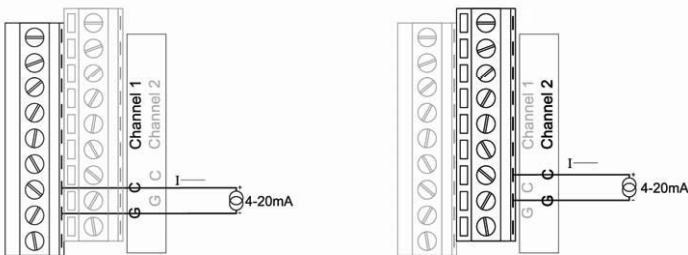
チャンネル 1: DC 電圧

チャンネル 2: DC 電圧



5) 電流配線図

チャンネル 1: 電流ループ 4 ~ 20 mA チャンネル 2: 電流ループ 4 ~ 20 mA



HMT140 ユーティリティソフトウェアをインストールする

HMT140 ユーティリティソフトウェアをインストールし、ネットワークでの使用に合わせて HMT140 を構成します。このソフトウェアは Windows 2000、Windows XP、Windows 7、および Windows Server 2003 に対応します。

HMT140 ユーティリティソフトウェアをインストールするには

1. HMT140 構成ケーブルが PC に接続されている場合は取り外します。
2. HMT140 構成ケーブルに付属の CD を挿入するか、
<http://www.vaisala.com/hmt140> からソフトウェアをダウンロードします。
3. HMT140 ユーティリティインストールプログラム (HMT140UtilitySetup.exe) を実行します。

4. 使用許諾契約の条項に同意し、次に [次へ] をクリックして、インストールのデフォルト設定を承認します。ドライバのインストールには数分かかる場合があります。
5. ソフトウェアがインストールされた後に、HMT140 構成ケーブルを PC の USB ポートに接続し、インストールセットアップを完了します。
6. インストールが完了したら、PC からケーブルを取り外します。デバイスをセットアップして構成する準備ができました。

後から Vaisala HMT140 ユーティリティソフトウェアを削除する場合は、Windows コントロールパネルのアンインストール機能を使用します。

HMT140 ハードウェアをセットアップする

HMT140 を初めてセットアップするには

1. HMT140 構成ケーブルが PC から取り外されていることを確認します。
2. 2 つのグラウンドの間にあるリリースタブを親指で押しながら、指で HMT140 ケースを上へ引き出して開きます。(リリースタブの場所については、「配線と接続」の節の HMT140 コンポーネント図を参照してください。)手でケースが開けられない場合は、スロットネジ回しを使用して、てこの力でケースを開けます。
3. デバイスの電源スイッチが OFF になっていることを確認します。
4. HMT140 コンポーネント図に示すように、3 つの 3.6V リチウム電池を取り付けます。注記:部品番号 236318SP の Vaisala 製 3.6V リチウム塩化チオニル電池のみを使用してください。
5. HMT140 構成ケーブルが HMT140 に接続していないことを確認します。
6. デバイスの電源スイッチを ON にし、セットアップ処理が完了するまで (5 秒) 待機します。

HMT140 をネットワークに接続する

HMT140 ユーティリティをインストールして HMT140 をセットアップした後は、構成ケーブルと HMT140 ユーティリティソフトウェアを使用して、HMT140 を構成し、ネットワークに接続します。

ネットワークで HMT140 を構成するには

1. HMT140 ケースが開いていて、正しい電池 (Vaisala 部品番号 23618SP) が取り付けられていることを確認します。
2. HMT140 の電源を入れ、5 秒間待機してからセットアップ処理が完了することを確認します。

3. 未接続の場合は、HMT140 構成ケーブルの USB コネクタをコンピュータに接続します。
4. [スタート] メニューから、HMT140 ユーティリティを開きます。
5. **USB Wi-Fi Programmer** と記載されている HMT140 構成ケーブルの端を 4 ピンの HMT140 構成ヘッダーに接続します。
6. HMT140 ユーティリティの [セットアップ] タブで、[取得] をクリックします。
7. IP アドレスが固定アドレスの場合は、[IP アドレスを動的に割り当てる] オプションをオフにし、ネットワークパラメータを入力します。それ以外の場合は、このオプションをオンにします。
8. **WLAN** のパラメータ (ワイヤレス LAN ルーター設定) を入力します。
9. ホストの宛先 IP アドレス/名前およびポート番号を入力します (viewLinc サーバー設定)。
注記:手順 6 ~ 9 で入力する情報がわからない場合は、ネットワーク管理者にこれらのパラメータを要求してください。
10. [センサー] タブをクリックし、[転送期間] と [試行回数] を選択するか、デフォルト設定を使用します。
11. [更新] をクリックします。HMT140 ユーティリティにより HMT140 が構成されます。
12. [ステータス] タブを選択し、構成したとおりに設定が表示されることを確認します。設定が自動的に表示されない場合は、[取得] をクリックします。
13. HMT140 構成ケーブルを HMT140 から取り外し、8 秒間待機します。
14. HMT140 の SERVICE ボタンを押します。オプション:[保存済み設定] フィールドの [セットアップ] タブで、保存済み設定の名前を入力し、ディスクアイコンをクリックして保存します。

別の HMT140 デバイスを追加するには、『Vaisala viewLinc 管理者ガイド』を参照してください。

クイックリファレンス情報

HMT140 の電池を交換し、電池メーターをリセットするには

1. 2 つのグランドの間にあるリリースタブを親指で押しながら、指で HMT140 ケースを上に取り出して開きます (HMT140 コンポーネント図を参照)。
2. 電源スイッチをオフにします。
3. 電池をしっかりと引き上げて取り外します。電池が簡単に外れない場合は、引き上げながら電池タブのいずれかをゆっくりと引き出すことができます。
4. 電池を交換 (部品番号 236318SP の Vaisala 製 3.6V リチウム塩化チオニルのみを使用の) ことした後、SERVICE ボタンを押し続け、電源スイッチをオンにします。LED ライトが点滅し、デバイスのビープ音が 8 回鳴ります。
5. SERVICE ボタンを放します。

IR センサーを使用してデータパケット転送をトリガーするには

1. HMT140 構成ケーブルが HMT140 から取り外されていることを確認します。HMT140 がセンサーモードに設定されます。
2. HMT140 の電源を入れ、ディスプレイがオンになってから再度オフになるまで待機します。
3. IR センサーの上に手を 5 秒間置いた状態にします。ディスプレイがオフになり、再度オンになります。その後ビープ音が 2 回鳴り、転送を確認します。HMT140 はホストサーバーに接続し、データ転送を試行します。

技術サポート

完全な『HMT140 ユーザーガイド』(英語)については、www.vaisala.com/hmt140 からダウンロードできます。

技術的な質問については、Vaisala 技術サポートまで電子メール (helpdesk@vaisala.com) でお問い合わせください。その際には次の情報を明記してください。

- 製品の名称とモデル
- 製品のシリアル番号
- 設置サイトの名称と場所
- 問題の詳細を把握している貴社の技術サポート担当者の名前と連絡先情報。

製品の返送

サービスを受けるために製品を返送する必要がある場合は、
www.vaisala.co.jp/jp/support/returns を参照してください。

ヴァイサラサービスセンターの連絡先情報については、
www.vaisala.co.jp/jp/support/servicecenters/ を参照してください。

保証

詳しい情報および標準的な保証条件については、次の当社ホームページをご参照ください。
www.vaisala.com/warranty

通常の損耗、例外的な条件下での使用、過失的な取り扱いまたは据え付け、もしくは許可を受けない改造に起因する損傷に対しては、上記保証は無効です。各製品の保証の詳細については、適用される供給契約または標準取引条件を参照してください。

警告

⚠ 出荷前のバッテリーを取り外してください。

技術データ

Humicap の相対湿度測定仕様 (HMP110D を使用した場合)

特性	説明/値
測定範囲	0 ~ 100 % RH
精度 (非直線性、ヒステリシス、再現性を含む): 0 ~ +40 ° C (+32 ~ +104 ° F) の場合	±1.7 % RH (0 ~ 90 % RH) ±2.5 % RH (90 ~ 100 % RH)
-40 ~ 0 ° C および +40 ~ +80 ° C (-40 ~ +32 ° F および +104 ~ +176 ° F) の場合	±3.0 % RH (0 ~ 90 % RH) ±4.0 % RH (90 ~ 100 % RH)
工場校正の不確かさ (+20 ° C (+68 ° F))	±1.5 % RH
湿度センサ	HUMICAP® 180R
安定性	±2 % RH (2 年)

外部電源オプション

プロパティ	説明/値
外部電源	9V DC ~ 28V DC
定格電流	1.7A ~ /.5A DC
電力	15 ワット

温度測定仕様(HMP110D を使用した場合)

特性	説明/値
測定範囲	-40 ~ +80 ° C (-40 ~ +176 ° F)
温度範囲全域での精度: +15 ~ +25 ° C (+59 ~ +77 ° F) の場合 0 ~ +15 ° C および +25 ~ +40 ° C (+32 ~ +59 ° F および +77 ~ +104 ° F) の場合 -40 ~ 0 ° C および +40 ~ +80 ° C (-40 ~ +32 ° F および +104 ~ +176 ° F) の場合	±0.2 ° C (±0.36 ° F) ±0.25 ° C (±0.45 ° F) ±0.4 ° C (±0.72 ° F)
温度センサ	Pt1000 RTD 1/3 Class B IEC 751

アナログ入力

特性	説明/値
電流入力信号	0 ~ 22 mA 分解能: 0.67 μ A 精度: ± 0.15 % F.S. (+25 ° C) 入力インピーダンス: 62 Ω 過負荷保護: 最大 40 mA
電圧入力信号	0 ~ 5 V, 0 ~ 10 V 分解能: 0.0034% F.S. 精度: ± 0.15 % F.S. (+25 ° C) 入力インピーダンス: 37 k Ω 過負荷保護: 最大 50 V
ブール接点入力信号	磁気リードスイッチケーブル接続による開閉(ドライ接点)
絶縁	1 ロガーあたり 1 コモン
測温抵抗入力信号	Pt 100 RTD / 4 線 Class A IEC 751
RTD 測定範囲	-196 ° C ~ +90 ° C
温度範囲全域での RTD 精度	-196 ~ -90 +/- 2.5 ° C -90 ~ -30 +/- 0.75 ° C -30 ~ 0 +/- 0.5 ° C 0 ~ 50 +/- 0.25 ° C 50 ~ 90 +/- 0.75 ° C

Humicap の使用環境仕様

特性	説明/値
動作温度範囲 変換器本体、ディスプレイなし 変換器本体、ディスプレイ付き HMP110D プローブ	-40 ~ +60 ° C (-40 ~ +140 ° F) -20 ~ +60 ° C (-4 ~ +140 ° F) -40 ~ +80 ° C (-40 ~ +176 ° F)
保管温度範囲	-50 ~ +70 ° C (-58 ~ +158 ° F)
電磁適合性	EN 61326-1:2006 (計測、制御、および試験所用の電気機器 - EMC 要求事項 - イミュニティ試験の基本要件) に適合。 EN 55022:2006 + Am 1:2007 (情報技術機器 - 無線妨害特性 - 限度値および測定方法) Class B に適合。

機械の仕様

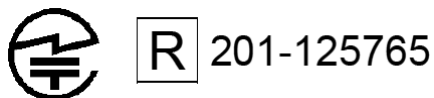
特性	説明/値
動作温度範囲 変換器本体、ディスプレイなし 変換器本体、ディスプレイ付き	-40 ° C ~ +60 ° C -20 ° C ~ +60 ° C
材料 変換器のハウジング ディスプレイウィンドウ プローブ本体 プローブグリッドフィルター	PBT プラスチック PC プラスチック ステンレス鋼 (AISI 316) クロムめっきの ABS プラスチック
ハウジング等級	IP65 (NEMA 4)
接続 ねじ端子 HMP110D プローブインターフェイス	AWG 26 ~ AWG 20 4 ピン M8 メスパネルコネクタ
HMP110D プローブケーブル長	3 m、5 m。ケーブルは最大 10 m までつなぎあわせることが可能
RTD 温度センサ センサ先端部の材料 センサ先端部の長さ センサ先端部の直径 ケーブル長	ステンレス鋼 (AISI 316) 50.8 mm 4.76 mm 5 m
気密ドラスイッチセンサのケーブル長	7.6 m
ディスプレイ (オプション)	解像度 128 x 64、フルグラフィックス バックライトなしの白黒ディスプレイ
重量 (壁面取り付けモデル、プローブを含む)	300 g

無線の仕様

特性	説明/値
ネットワーク規格	IEEE 802.11 b/g
周波数帯	2412 ~ 2480 MHz
変調	802.11b 互換: DSSS(CCK-11、CCK-5.5、DQPSK-2、DBPSK-1)、 802.11g: OFDM(初期設定)
チャンネル間隔	5 MHz
チャンネル	1 - 14
Wi-Fi セキュリティ	WEP(128 ビット)、WPA、WPA2(Personal)
出力	+10 dBm(10 mW)
受信ユニットの感度	-85 dBm 標準
アンテナ	内蔵ホイップ
データ転送速度	802.11 b: 1、2、5.5、11 Mbps 802.11 g: 6、9、12、18、24、36、48、54 Mbps
証明書	FCC: U30-G2M5477(FCC Part 15 Subpart B: 2008 Class B, FCC CRF Title 47 Part 15 Subpart C)。 IC: 8169A-G2M5477 (IC RSS-210)。CE: EU ID # 0681(ETSI EN301 489-1 V1.8.1、489-17 V2.1.1、ETSI EN300 328 V1.7.1、EN55022 Class B、EN61000 4-2、4-3、4-6、4-8、EN60950-1:2001+A11:2004) Wi-Fi 認定: WFA7649 FCC 47 CFR Part 15-2011 Subpart B。 IC ICES-003:2004、 EN61326-1:2006、 EN61326-2-3:2006、 EN61000-3-2:2006+A1:2009+A2:2009、 EN61000-3-3:2008、 EN61326-1:2006、 MIC R 201-125765 CMIIT ID: 2013DJ7129。

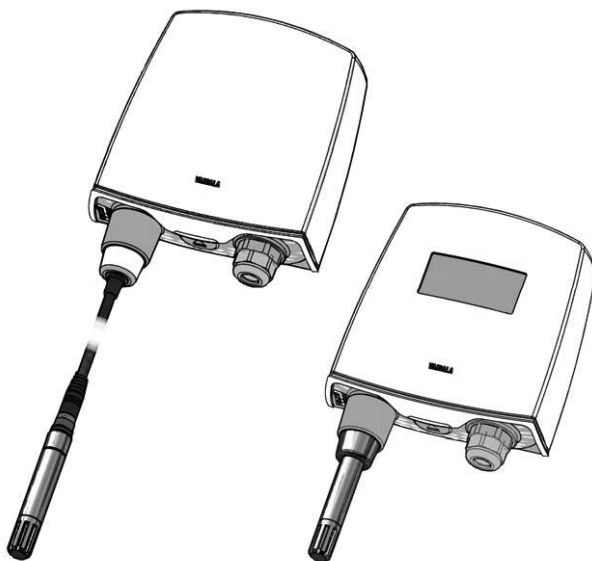
その他の入力仕様

特性	説明/値
電圧入力	最大 50 V、入力インピーダンス 37 k Ω
電流入力	40 mA、入力インピーダンス 62 Ω
RTD 入力	電圧または電流入力装置以外、入力インピーダンス 5.1 k Ω



中文

产品简介



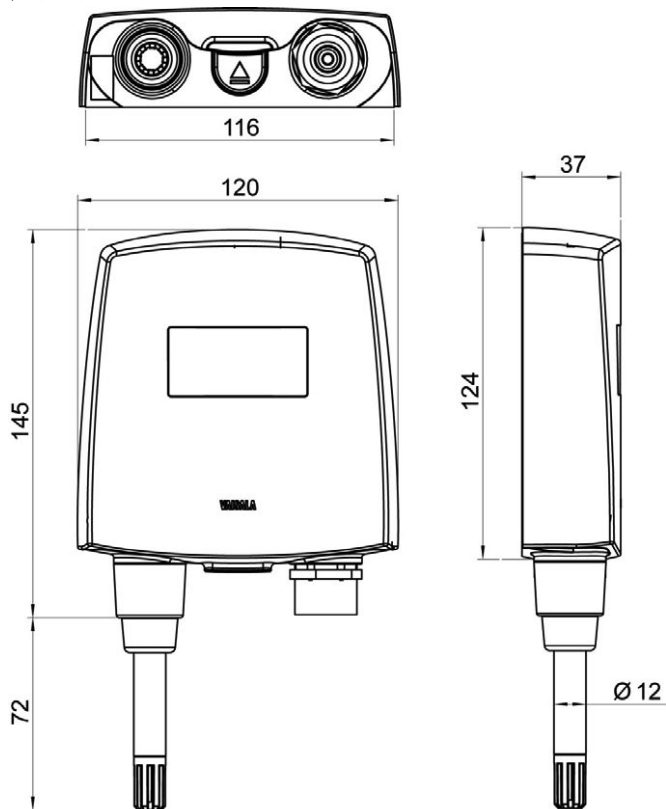
Vaisala HUMICAP® 无线温湿度变送器 HMT140 可使用连接的探头和模拟信号（RTD、电压、电流环和布尔触点）测量相对湿度和温度。它使用三个 3.6 VDC 电池（或可选的 9-30 VDC 电源）供电，通过无线变送器输出数据并附带或不带可选的 LCD 显示屏。

HMT140 变送器支持多种不同的信号测量。可用的通道类型为相对湿度（RH）和温度（T）、RTD、布尔触点、电压和电流。通道类型是订购时出厂设置的。以后，可以使用配置端口和包含的实用工具更改其他无线参数。

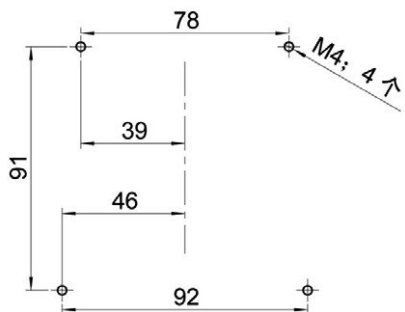
HMT140 有两种：一种带有一个直接连接到变送器外壳的固定探头；另一种带有一个电缆长度不同（3/5/10 米）的远程探头。

HMT140 还可以配有不带背景灯的可选 LCD 显示屏。它通常最多用四根螺钉（不附送）安装在墙面上。管道安装套件以附件的形式提供。本指南封底中提供了一个钻孔模板，有助于您正确确定螺钉的位置。

尺寸

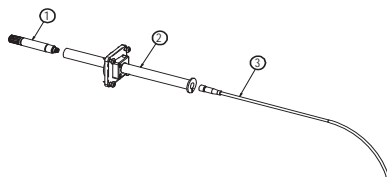


壁式安装 的尺寸



管道安装套件所带的探头组件

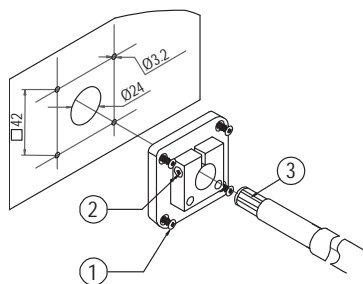
- 1 探头 (HMP110D)
- 2 管道安装套件
- 3 探头电缆



组装探头:

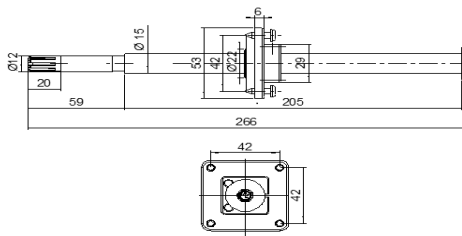
1. 将探头电缆穿过管道安装套件的塑料管。
2. 将探头电缆连接到 HMP110D。

- 1 安装螺钉
- 2 张力螺钉
- 3 组装于管道安装套件塑料管中的 HMP110D

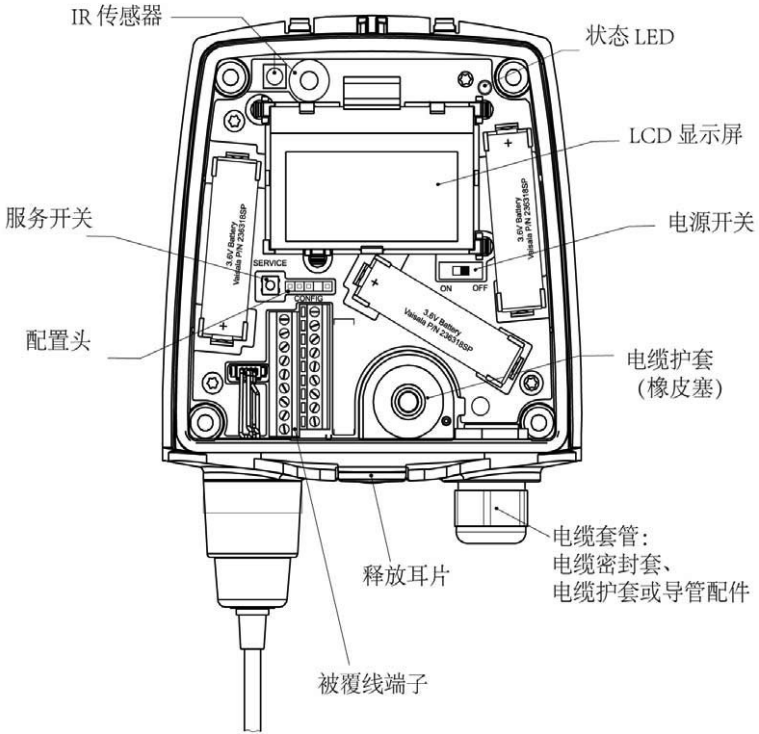


将探头组件连接到管道:

1. 为管道安装套件钻孔, 如下:
 - 使用 24 毫米钻头在管道墙上钻一个孔。
 - 使用 3.2 毫米钻头为安装螺钉 (ST4.2x16-C-Z DIN 7981 螺钉, 4 个) 钻四个孔。这些孔应该以 24 毫米孔为中心形成一个正方形, 彼此相距 42 毫米。
2. 使用螺钉安装探头固定架。
3. 调整塑料管的深度并紧固螺钉, 将探头锁定在适当的位置。



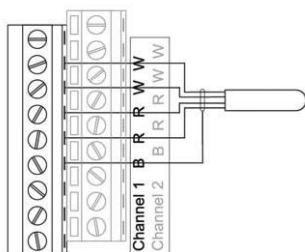
连接与配线



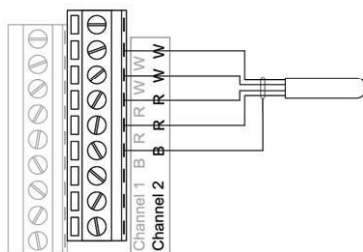
HMT140 组件图

1) RTD 配线图

通道 1:RTD

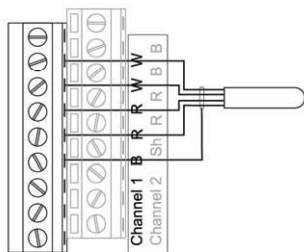
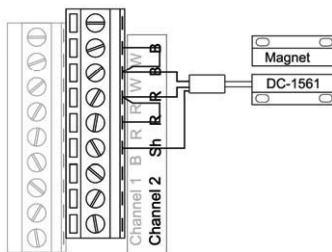


通道 2:RTD



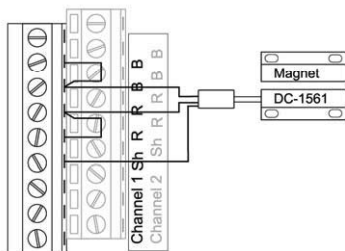
2) RTD 和布尔配线图

通道 1:RTD

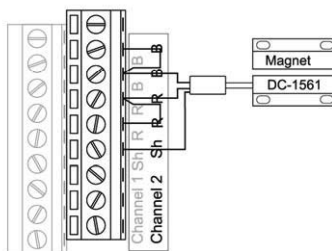
通道 2:布尔
(磁力开关)

3) 布尔配线图

通道 1: 布尔 (磁力开关)



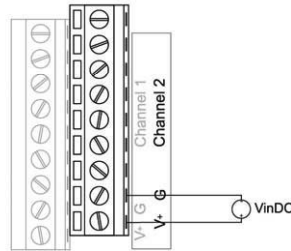
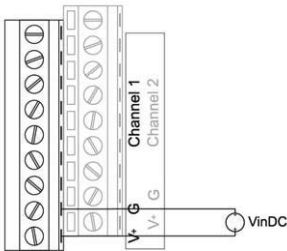
通道 2: 布尔 (磁力开关)



4) 电压配线图

通道 1: 直流电压

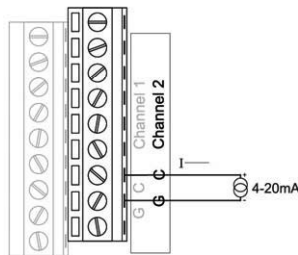
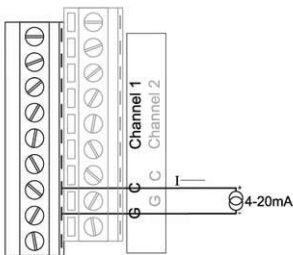
通道 2: 直流电压



5) 电流配线图

通道 1: 电流环 4-20mA

通道 2: 电流环 4-20mA



安装 HMT140 实用工具软件

安装 HMT140 实用工具软件，以便配置 HMT140 在网络中使用。该软件兼容 Windows 2000、Windows XP、Windows 7 和 Windows Server 2003。

安装 HMT140 实用工具软件：

1. 断开 HMT140 配置电缆（如果已经连接到计算机）。
2. 插入随 HMT140 配置电缆提供的光盘，或者从 <http://www.vaisala.com/hmt140> 下载软件。
3. 运行 HMT140 安装程序 (HMT140UtilitySetup.exe)。
4. 接受许可协议条款，然后按“下一步”继续以接受安装默认设置。驱动程序的安装过程可能需要几分钟时间。
5. 安装完软件后，将 HMT140 配置电缆连接到计算机的 USB 端口，完成安装过程。
6. 安装完成后，从计算机上断开电缆。现在便可以设置和配置您的设备了。

如果日后要删除 Vaisala HMT140 实用工具软件，请在 Windows 控制面板中使用卸载功能。

设置 HMT140 硬件

初次设置 HMT140:

1. 确保已从计算机上断开 HMT140 配置电缆。
2. 用拇指按住两个压盖之间的释放耳片，用手指向上拉出外壳。
(有关释放耳片的位置，请参阅“配线”部分的同时中的“HMT140 组件图”)。如果无法用手打开外壳，可使用一字螺丝刀撬动。
3. 确保设备的电源开关位于“OFF”(关)位置。
4. 按照配线部分中的说明，安装三个 3.6V 锂电池。注意：只能使用部件号为 236318SP 的 Vaisala 3.6V 锂亚硫酰氯电池。
5. 确保 HMT140 配置电缆未连接到 HMT140。
6. 将设备的电源开关转至“ON”(开)位置，然后等待设置过程完成(5 秒钟)。

将 HMT140 连接到网络

在安装 HMT140 实用工具并设置 HMT140 之后，使用配置电缆和 HMT140 实用工具软件将 HMT140 连接到网络并进行配置。

配置 HMT140 用于网络:

1. 确认 HMT140 的外壳已打开，且已装好正确的电池(Vaisala 部件编号 23618SP)。
2. 打开 HMT140 并等待 5 秒钟，确保启动过程完成。
3. 将 HMT140 配置电缆上的 USB 接头插入到计算机(如果尚未连接)。
4. 从“开始”菜单打开 HMT140 实用工具。
5. 将 HMT140 配置电缆上标有“USB Wi-Fi Programmer”的一端连接到 4 针 HMT140 “CONFIG”针头。
6. 在 HMT140 实用工具的**设置**选项卡上，单击**检索**。
7. 如果 IP 地址为静态地址，请取消选中“**动态分配的 IP 地址**”选项，然后输入网络参数。否则，将此复选框保留选中状态。
8. 输入“**WLAN**”的参数(无线 LAN 路由器设置)。
9. 输入主机的目标 IP 地址/名称和端口号(viewLinc 服务器设置)。
注意：如果您不清楚要在步骤 6-9 中输入哪些信息，请要求网络管理员提供这些参数。

10. 单击“**传感器**”选项卡，选择**传输周期时间**和**尝试次数**，或者接受默认设置。
11. 单击“**更新**”。HMT140 实用工具将会配置 HMT140。
12. 单击“**状态**”选项卡，检查设置是否如配置所示。如果设置未自动显示，请单击“**获取**”按钮。
13. 从 HMT140 上断开 HMT140 配置电缆，并等待 8 秒钟。
14. 按 HMT140 上的“SERVICE”（服务）按钮。可选：在“**设置**”选项卡的“**保存的设置**”字段中为保存的设置输入名称，然后单击磁盘图标进行保存。

请参考《Vaisala viewLinc 管理员指南》添加更多的 HMT140 设备。

快速参考信息

为 HMT140 更换电池并重置电池指示器：

1. 用拇指按住两个压盖之间的释放耳片的同时，用手指向上拉出 HMT140 的外壳（请参阅 HMT140 组件图）。
2. 关闭电源开关。
3. 用力提起电池，将其卸下。如果电池不易取出，可以在上提的同时轻轻拉出电池耳片之一。
4. 更换电池之后（请仅使用部件编号 236318SP 的 Vaisala 3.6V 锂亚硫酰氯电池），请按住“SERVICE”（服务）按钮并打开电源开关。LED 指示灯将会闪烁，并且设备会发出 8 次嘟嘟声。
5. 放开“SERVICE”（服务）按钮。

通过 IR 传感器触发数据包传输：

1. 确保 HMT140 配置电缆已从 HMT140 上断开。这会将 HMT140 设置为传感器模式。
2. 打开 HMT140，然后等待显示屏打开后关闭。
3. 将您的手放在 IR 传感器上面，并停留 5 秒钟。显示屏将会关闭，然后再次打开，然后将会发出两次嘟嘟声以确认传输。然后，HMT140 会尝试连接并将数据传输到主机。

技术支持

要获取完整的英文版《HMT140 用户手册》，请访问 www.vaisala.com/hmt140。

有关技术问题，请通过电子邮件与 Vaisala 技术支持部门联系：helpdesk@vaisala.com。请提供以下信息：

- 相应产品的名称和型号

- 产品序列号
- 安装场所的名称和位置
- 可对问题提供更多信息的贵公司技术人员的姓名和联系信息

产品退回

如果必须退回产品以进行维修，请参见 www.vaisala.com/returns。

有关 Vaisala 服务中心的联系信息，请参见 www.vaisala.com/servicecenters。

质保

有关更多信息和我公司的标准质保条款和条件，请访问我公司网站：
www.vaisala.com/warranty。

请注意，因正常磨损、异常工作环境、操作或安装疏忽或未经授权的改动导致的设备损坏，不在任何此类质保的范围之列。有关每种产品质保的详细信息，请参见适用的供货合同或销售条款。

警告

△ 装运前请拆下电池。

技术数据

Humicap 相对湿度测量规格（对于 HMP110D）

参数	说明/值
测量范围	0 ... 100 % RH
精确度（包括非线性、磁滞现象和重复性）： 在 0 ... +40 ° C 下 (+32 ... +104 ° F)	±1.7 % RH (0 ... 90 % RH) ±2.5 % RH (90 ... 100 % RH)
在 -40 ... 0 ° C 和 +40 ... +80 ° C 下 (-40 ... +32 ° F 和 +104...+176 ° F)	±3.0 % RH (0 ... 90 % RH) ±4.0 % RH (90 ... 100 % RH)
出厂校准不确定性 (20 ° C) (+68 ° F)	±1.5 % RH
湿度传感器	HUMICAP® 180R
稳定性	±2 %RH (超过 2 年)

外部电源选项

参数	说明/值
外部电源	9V DC 至 28VDC
额定电流	1.7A 至 / .5A DC
功率	15 W

Humicap 温度测量规格（对于 HMP110D）

参数	说明/值
测量范围	-40 ... +80 ° C (-40 ... +176 ° F)
全温度量程精确度： 在 +15 ... +25 ° C 下 (+59 ... +77 ° F)	±0.2 ° C (±0.36 ° F)
在 0 ... +15 ° C 和 +25 ... +40 ° C 下 (+32 ... +59 ° F 和 +77 ... +104 ° F)	±0.25 ° C (±0.45 ° F)
在 -40 ... 0 ° C 和 +40 ... +80 ° C 下 (-40 ... +32 ° F 和 +104...+176 ° F)	±0.4 ° C (±0.72 ° F)
温度传感器	Pt1000 RTD 1/3 Class B IEC 751

模拟输入

参数	说明/值
电流输入信号	0-22 mA 分辨率: 0.67 μ A 精度: 在 +25 °C 下为 $\pm 0.15\%$ F.S. 输入阻抗: 62 Ohm 过载保护: 最高 40 mA
电压输入信号	0-5 V, 0-10 V 分辨率 0.0034% F.S. 精度: 在 +25 °C 下为 $\pm 0.15\%$ F.S. 输入阻抗: 37K Ohm 过载保护: 最高 50 伏特
布尔触点输入信号	打开/关闭, 带有磁簧开关电缆连接 (干触点)
绝缘	每个采集器一个接地
电阻温度输入信号	Pt 100 RTD/4 线 Class A IEC 751
RTD 测量范围	-196 °C 到 +90 °C
RTD 全温度量程精确度	-196 到 -90 +/- 2.5 摄氏度 -90 到 -30 +/- 0.75 摄氏度 -30 到 0 +/- 0.5 摄氏度 0 到 50 +/- 0.25 摄氏度 50 到 90 +/- 0.75 摄氏度

Humicap 工作环境规格

参数	说明/值
工作温度范围	
变送器主体, 无显示屏	-40 ... +60 °C (-40 ... +140 °F)
变送器主体, 带显示屏	-20 ... +60 °C (-4 ... +140 °F)
HMP110D 探头	-40 ... +80 °C (-40 ... +176 °F)
储存温度范围	-50 ... +70 °C (-58 ... +158 °F)
电磁兼容性	EN 61326-1:2006 测量、控制和实验室用电气设备电磁兼容性要求 - 基本抗扰试验要求 EN 55022:2006 + Am 1:2007 信息技术设备 - 无线电干扰特征 - 测量的限制和方法。B 级

结构规格

参数	说明/值
工作温度范围 变送器主体, 无显示屏 变送器主体, 带显示屏	-40° C...+60° C -20° C...+60° C
材料 变送器外壳 显示屏窗 探头主体 探头栅格过滤器	PBT 塑料 PC 塑料 不锈钢 (AISI 316) 镀铬 ABS 塑料
防护等级	IP65 (NEMA 4)
连接 螺纹接线端子 HMP110D 探头接口	26 AWG ... 20 AWG 4 针 M8 凹式面板接头
HMP110D 探头电缆长度	3 米、5 米, 电缆最长可以连接到 10 米
RTD 温度传感器 传感器尖端材料 传感器尖端长度 传感器尖端直径 电缆长度	不锈钢 (AISI 316) 50.8 毫米 4.76 毫米 5 米
密封门开关传感器电缆长度	7.6 米
显示屏 (可选)	128 x 64 分辨率全图形 不带背景灯的 B&W 显示屏
重量 (壁式型号, 包括探头)	300 克

无线规格

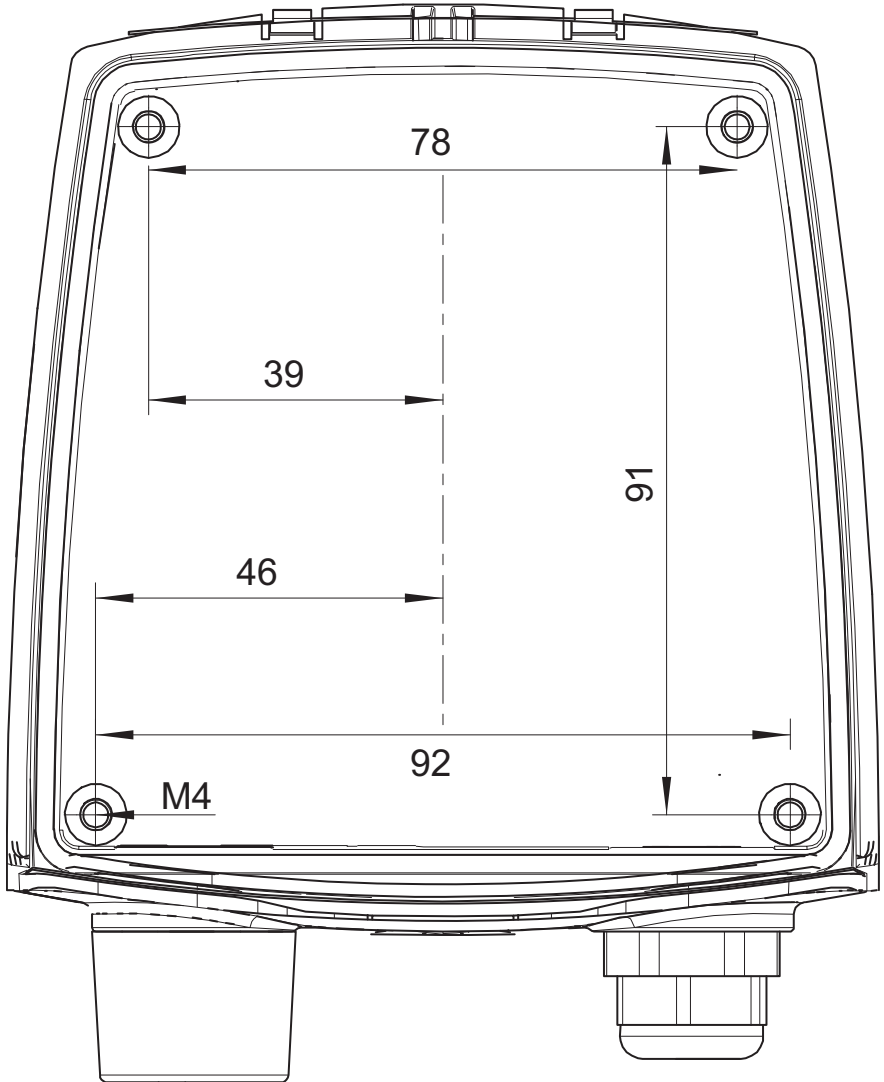
参数	说明/值
网络标准	IEEE 802.11 b/g
频带	2412 ~ 2480MHz
调制	802.11b 兼容性: DSSS (CCK-11、CCK-5.5、DQPSK-2、DBPSK-1) 802.11g: OFDM (默认值)
通道间隔	5MHz
通道	1 - 14
Wi-Fi 安全	WEP (128 位)、WPA、WPA2 (个人)
输出功率	+18dBm (63mW)
接收机灵敏度	-85dBm 典型值
天线	板载鞭状
数据速率	802.11 b: 1, 2, 5.5, 11 Mbps 802.11 g: 6, 9, 12, 18, 24, 36, 48, 54 Mbps
证书	FCC: U30-G2M5477 (FCC Part 15 Subpart B: 2008 Class B, FCC CRF Title 47 Part 15 Subpart C)。 IC: 8169A-G2M5477 (IC RSS-210)。CE: EU ID # 0681 (ETSI EN301 489-1 V1.8.1, 489-17 V2.1.1, ETSI EN300 328 V1.7.1, EN55022 Class B, EN61000 4-2, 4-3, 4-6, 4-8, EN60950-1:2001+A11:2004) Wi-Fi 认证: WFA7649 FCC 47 CFR Part 15-2011 Subpart B。 IC ICES-003:2004、 EN61326-1:2006 EN61326-2-3:2006 EN61000-3-2:2006+A1:2009+A2:2009 EN61000-3-3:2008 EN61326-1:2006 MIC R 201-125765 CMIIT ID: 2013DJ7129

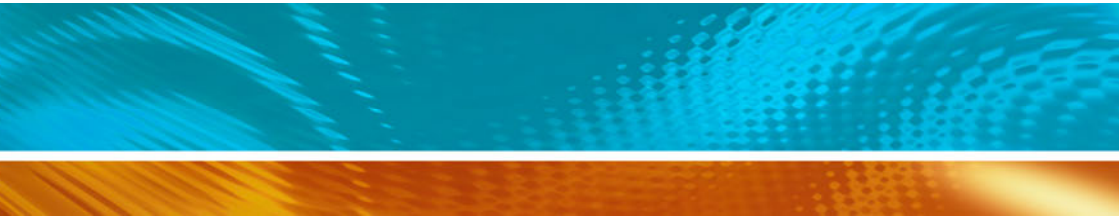
其他输入规格

参数	说明/值
电压输入	最高 50 伏特, 输入阻抗 37K Ohm
电流输入	40 mA, 输入阻抗 62 Ohm
RTD 输入	非电压或电流输入设备, 输入阻抗 5.1K Ohm



DRILLING TEMPLATE
BOHRSCHABLONE
GABARIT DE PERÇAGE
穴あけ用テンプレート
钻孔模板





www.vaisala.com

