



Type PHE

Features

- International Ex approvals
- IP6X CSA Enclosure Type (NEMA) 3
- Available in brass, stainless steel and aluminium
- Various threadforms available

Benefits

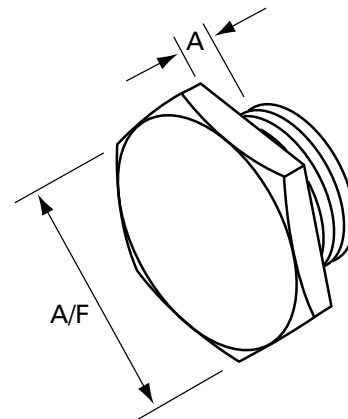
- Provides method of filling unused entries in equipment
- Maintains increased safety certification
- Maintains IP integrity

Materials

- Brass CZ121
- 316 stainless steel
- Aluminium

Threadforms

- Metric
- NPT
- NPSM
- PG
- ISO pipe (BSP)
- ET



Technical specification

Code of protection categories

ATEX: II 2GD, Ex e IIC Gb, Ex tb IIIC Db IP6X

CSA: Ex d IIC IP54, Class I, Division 1 and 2; Groups A, B, C, D; Class II, Groups E, F, G; Class III; Enclosure Type 3

GOST: ExellCU

Compliance standards

ATEX: EN 60079-0, IEC 60079-0, EN 60079-7, EN 61241-0, EN 61241-1

CSA: C22.2 No. 30-M1986 (R2012), CAN/CSA 60079-0-11, CAN/CSA 60079-31:12, UL1203-5th Edition

Certificate details

ATEX: Sira 00ATEX3092X

GOST: TR RU C-GB.GB06.B.00106

CSA: 1248014 (LR 106084)

Temperature

Temperature range: -50°C to +180°C

Ingress protection (IP):

Independently tested to IP66 / IP68 when fitted in accordance to manufacturer's instructions

Part number:

Please refer to page 10 for part numbering system

Dimensions of metric versions

Size	A/F	Thread length (A)
M16	20.00 (min)	12.00 (min)
M20	24.00 (min)	12.00 (min)
M25	29.00 (min)	12.00 (min)
M32	36.00 (min)	12.00 (min)
M40	44.00 (min)	12.00 (min)
M50	54.00 (min)	12.00 (min)
M63	67.00 (min)	12.00 (min)
M75	79.00 (min)	12.00 (min)