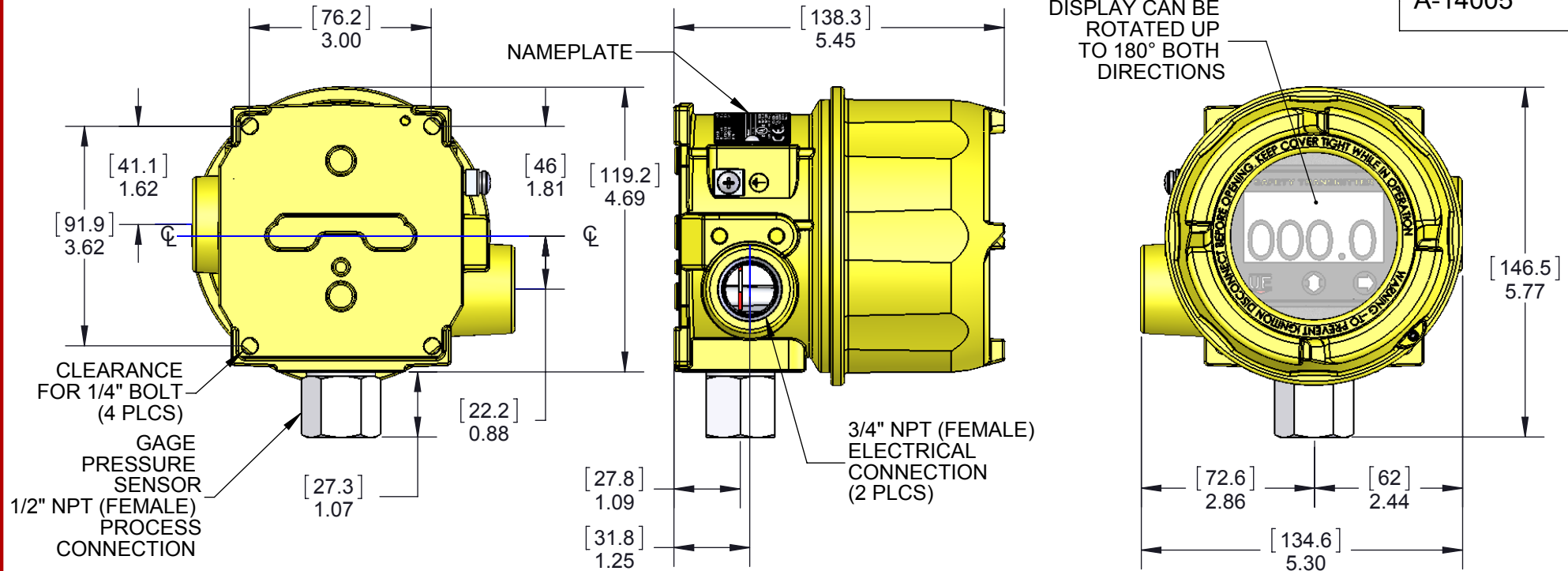


A-14005



SPECIFICATIONS:

(SPECIFICATIONS AT 25°C (77°F) AND NOMINAL VOLTAGE UNLESS OTHERWISE NOTED).

MECHANICAL:

WETTED MATERIALS: 316 STAINLESS STEEL
ENCLOSURE: TYPE 360 ALUMINUM; EPOXY POWDER COATED

ELECTRICAL:

ELECTRICAL CONNECTIONS:

POWER SUPPLY: 3 POSITION TERMINAL BLOCK, 22-14 AWG WIRE
POWER INPUT: 4-20mA LOOP POWERED (20-40 Vdc)
(REFERENCE I&M FOR ALLOWABLE POWER SUPPLY AND LOAD LIMITS)

SAFETY RELAY OUTPUT:
IAW: 2 POSITION TERMINAL BLOCK, 16-26 AWG WIRE, 30Vdc @ 20mA (MAX)
SWITCH STATUS: 2 POSITION TERMINAL BLOCK, 16-26 AWG WIRE, 30Vdc @ 20mA (MAX)

SWITCH SPECS:
4 POSITION TERMINAL BLOCK, 14-20 AWG WIRE
250VAC @ 5A

MODEL PXX	OPERATING RANGE				MAX. OVER PRESSURE	
	LOW		HIGH		psi	bar
	psi	bar	psi	bar		
P06	-14.7	-1	30	2.1	60	4.1
P08	-14.7	-1	100	6.9	200	13.8
P10	0	0	5	0.3	10	0.7
P11	0	0	15	1.0	30	2.1
P12	0	0	30	2.1	60	4.1
P13	0	0	50	3.4	100	6.9
P14	0	0	100	6.9	200	13.8
P15	0	0	300	20.7	600	41.4
P16	0	0	500	34.5	1000	68.9
P17	0	0	1000	68.9	2000	137.9
P18	0	0	3000	206.8	6000	413.7
P19	0	0	4500	310.3	9000	620.6
P20	0	0	6000	413.6	12000	827.4

REV.	ECN#	DESCRIPTION	DATE	DRWN	APPD
	D E6082	REMOVED AGENCY MARKINGS. REVISED TITLE BLOCK TO READ "2SLP47"	5-24-17	RAM	RAM
	C E5527	DRILLED HOLES IN CASTING NOW CORED	6-15-15	RJG	RAM
	B E5017	REPLACED "SWITCH" WITH "SAFETY XMITTER" IN TITLE.	1-16-14	SR	ASK
	A E4967	INITIAL RELEASE	11-22-13	ASK	AJC

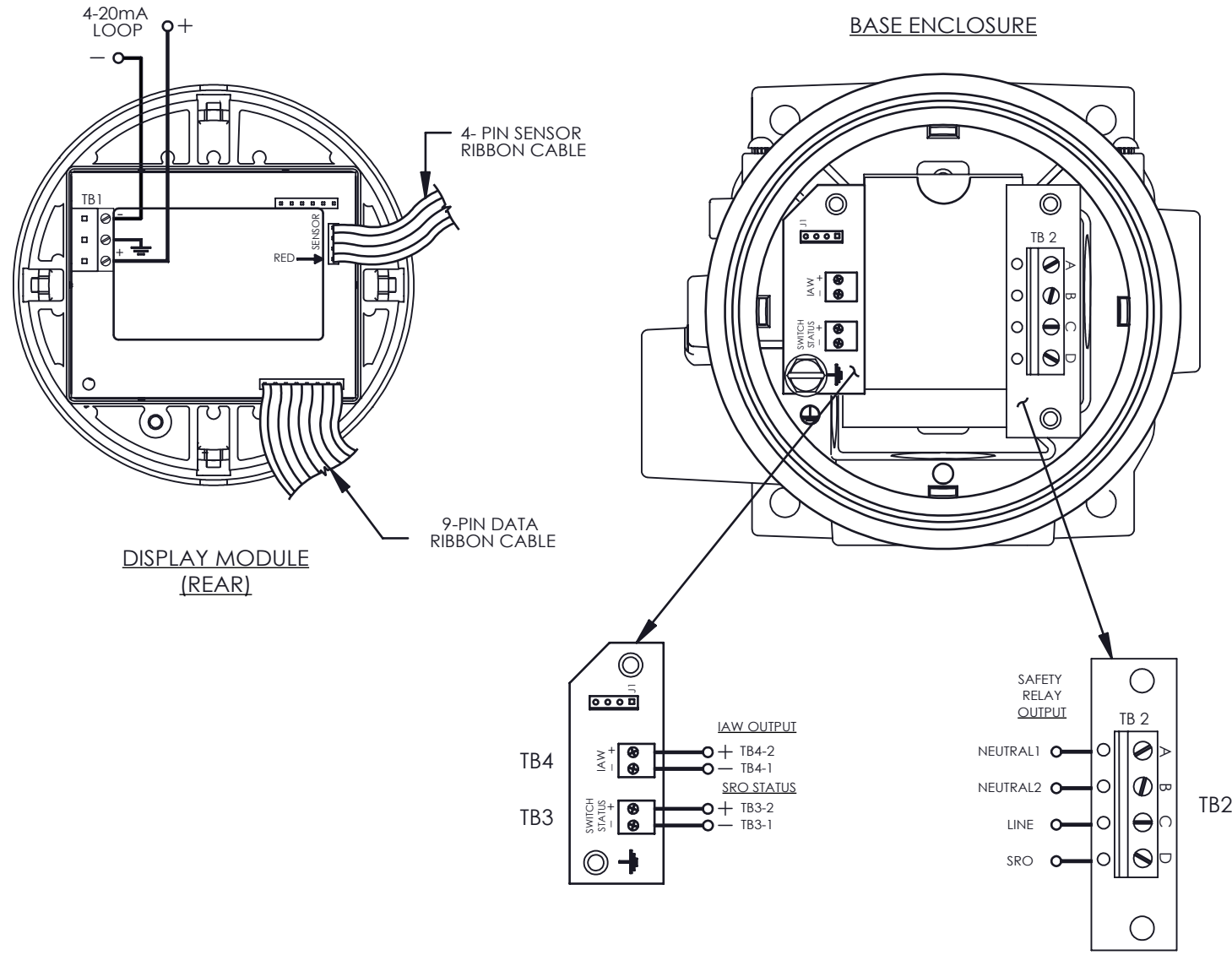
THIS DOCUMENT IS PROPRIETARY PROPERTY OF UNITED ELECTRIC CONTROLS. UNAUTHORIZED USE IS STRICTLY PROHIBITED.

ORIGINAL DATE	11-22-13
DRWN	A. KARLGREN
CHKD	S.R.
APPD	AJC
UNLESS OTHERWISE SPECIFIED DIMENSIONS ARE IN INCHES	
TOLERANCES ON FRACTIONS ±1/64	
2 PLACE DEC ±0.010	3 PLACE DEC ±0.005
ANGLES ±1/2°	
DO NOT SCALE THIS DRAWING	

TITLE
2SLP47 GAGE PRESSURE SAFETY XMITTER
SCALE 1:1

UNITED ELECTRIC CONTROLS COMPANY
WATERTOWN * MASSACHUSETTS
DWG NO Page 1 of 2
A-14005

2SLP47 WIRING DIAGRAM



REV.	ECN#	DESCRIPTION	DATE	DRWN	APPD
D	E6082	SEE PG. 1 OF 2	5-24-17	RAM	RAM
C	E5527	SEE PG. 1 OF 2	6-15-15	RJG	RAM
B	E5017	SEE PG. 1 OF 2.	1-16-14	SR	ASK
A	E4967	INITIAL RELEASE	11-22-13	ASK	AJC

ORIGINAL DATE	11-22-13
DRWN	A. KARLGREN
CHKD	S.R.
APPD	AJC
UNLESS OTHERWISE SPECIFIED DIMENSIONS ARE IN INCHES TOLERANCES ON FRACTIONS ±1/64 2 PLACE DEC 3 PLACE DEC ANGLES ±0.010 ±0.005 ±1/2°	
DO NOT SCALE THIS DRAWING	

TITLE

**2SLP47
GAGE
PRESSURE
SAFETY
XMITTER**

SCALE 1:1

UNITED ELECTRIC
CONTROLS COMPANY
WATERTOWN * MASSACHUSETTS

DWG NO Page 2 of 2

A-14005

THIS DOCUMENT IS PROPRIETARY PROPERTY OF UNITED ELECTRIC CONTROLS. UNAUTHORIZED USE IS STRICTLY PROHIBITED.