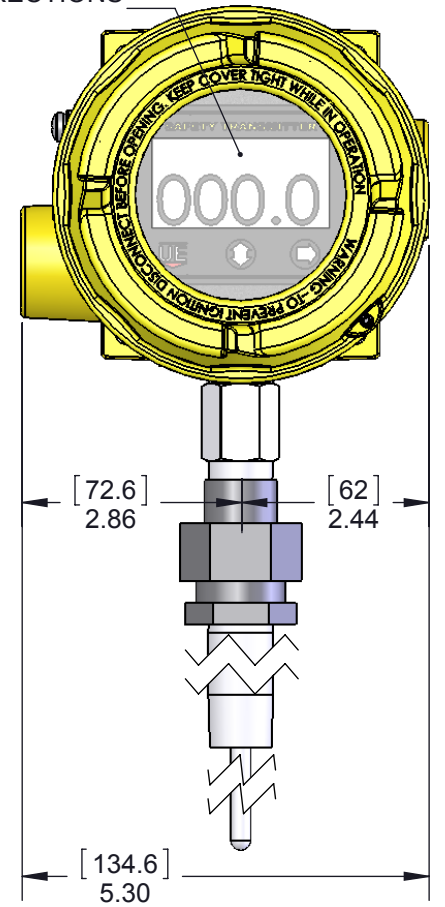


DISPLAY CAN BE ROTATED UP TO 180° BOTH DIRECTIONS

A-14062



SPECIFICATIONS:

(SPECIFICATIONS AT 25°C (77°F) AND NOMINAL VOLTAGE UNLESS OTHERWISE NOTED).

MECHANICAL:

WETTED MATERIALS: 316 STAINLESS STEEL
ENCLOSURE: TYPE 360 ALUMINUM; EPOXY POWDER COATED

ELECTRICAL:

ELECTRICAL CONNECTIONS:

POWER INPUT: 3 POSITION TERMINAL BLOCK, 22-14 AWG WIRE, 4-20mA ANALOG INPUT POWERED (20-40 VDC) OR DIRECT CONNECTION TO 24 VDC (REFERENCE I&M FOR ALLOWABLE POWER SUPPLY AND LOAD LIMITS)

SAFETY RELAY OUTPUT: 4 POSITION TERMINAL BLOCK, 14-20 AWG WIRE 0-130 VDC, 2.5A (GENERAL PURPOSE), Q150** MAX. (PILOT DUTY)

SWITCH STATUS: 2 POSITION TERMINAL BLOCK, 16-26 AWG WIRE, 30VDC, 20mA
IAW: 2 POSITION TERMINAL BLOCK, 16-26 AWG WIRE, 30VDC, 20mA

*10VDC, 5mA MIN. WITH RELAY MONITOR FEATURE ENABLED
**DE-RATE 1% PER Cc ABOVE 25°C

MODEL TTC	TEMPERATURE RANGE	EXTENSION LENGTH	
		INCHES	[cm]
N-U-N LENGTH	-40 TO 900°F/ -40 TO 482°C	4"-10" IN 1 INCH INCREMENTS	[10.1-25.4]
SHEATH LENGTH	-40 TO 900°F/ -40 TO 482°C	UP TO 60" MAX	[152.4] MAX

ORIGINAL DATE	5-24-17
DRWN	R. McCarey
CHKD	SR
APPD	R. McCAREY
UNLESS OTHERWISE SPECIFIED DIMENSIONS ARE IN INCHES TOLERANCES ON FRACTIONS ±1/64 2 PLACE DEC 3 PLACE DEC ANGLES ±0.010 ±0.005 ±1/2°	
DO NOT SCALE THIS DRAWING	

TITLE
**2SPLP49
SPRING
LOADED
TEMP.
SAFETY
XMITTER**

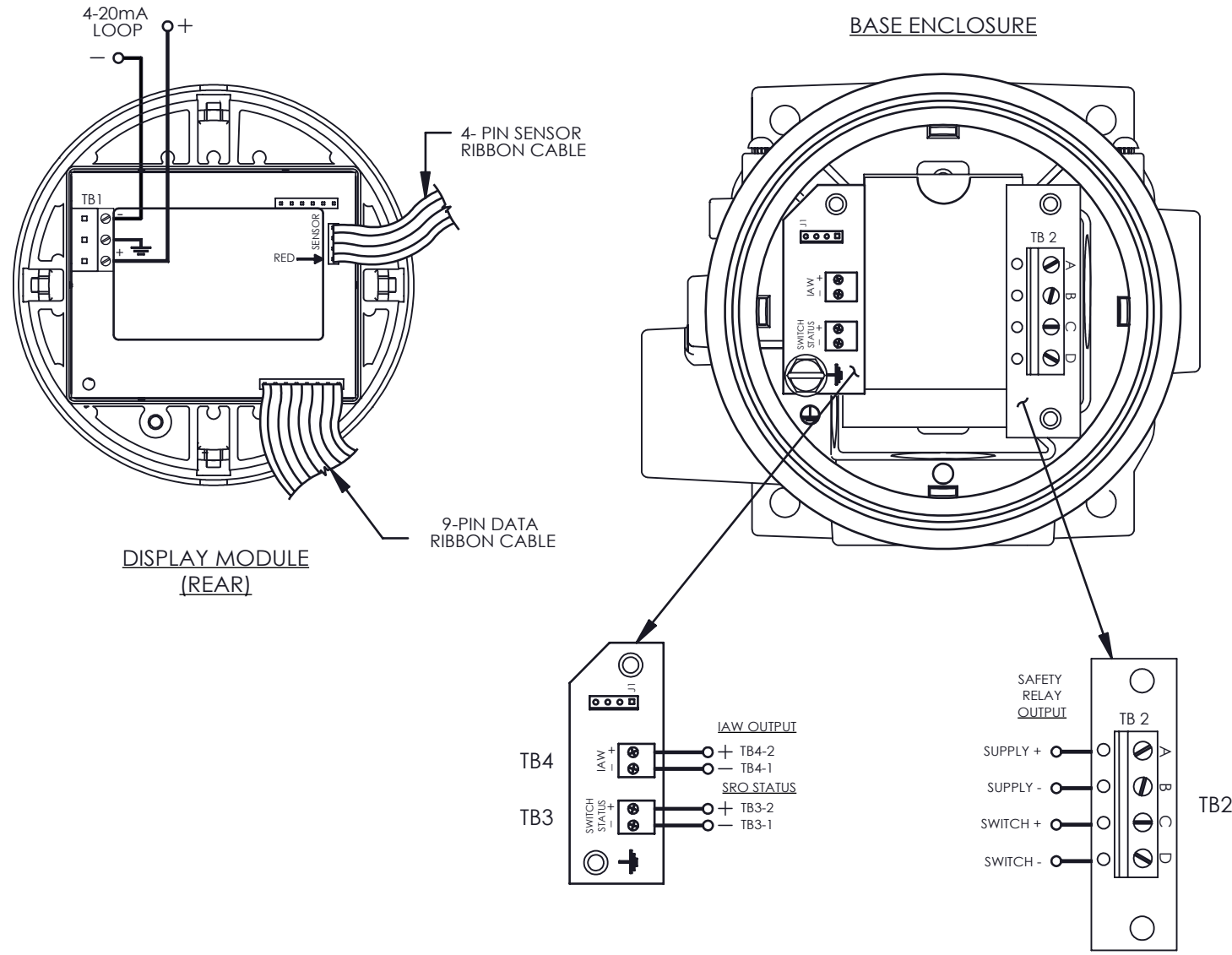
SCALE 1:1

UE
UNITED ELECTRIC
CONTROLS COMPANY
WATERTOWN * MASSACHUSETTS

DWG NO Page 1 of 2
A-14062

THIS DOCUMENT IS PROPRIETARY PROPERTY OF UNITED ELECTRIC CONTROLS. UNAUTHORIZED USE IS STRICTLY PROHIBITED.	A	E6082	FIRST ISSUE.	5-24-17	RAM	RAM
	REV.	ECN#	DESCRIPTION	DATE	DRWN	APPD

2SLP49 WIRING DIAGRAM



ORIGINAL DATE	5-24-17
DRWN	R. McCarey
CHKD	SR
APPD	R. McCAREY
UNLESS OTHERWISE SPECIFIED DIMENSIONS ARE IN INCHES	
TOLERANCES ON FRACTIONS ±1/64	
2 PLACE DEC	3 PLACE DEC
±0.010	±0.005
ANGLES	±1/2°
DO NOT SCALE THIS DRAWING	

TITLE
**2SLP49
 SPRING
 LOADED
 TEMP.
 SAFETY
 XMITTER**

SCALE 1:1

UNITED ELECTRIC
 CONTROLS COMPANY
 WATERTOWN * MASSACHUSETTS

DWG NO Page 2 of 2
A-14062

THIS DOCUMENT IS PROPRIETARY PROPERTY OF UNITED ELECTRIC CONTROLS. UNAUTHORIZED USE IS STRICTLY PROHIBITED.				A	E6082	FIRST ISSUE.	5-24-17	RAM	RAM
REV.	ECN#	DESCRIPTION	DATE	DRWN	APPD				