



**Innovative Products
That Provide Superior
Performance and Value**

Appleton™ Electrical Products
Upgrade your electrical equipment with products that deliver unparalleled advantages.



The right electrical products to get the work done — fast and right.



Keeping a facility up and running is a huge responsibility. When your equipment fails, you need a replacement whose functionality and reliability is the same or better than the equipment you are replacing. Emerson understands that switching manufacturers can often lead to added maintenance cost due to electrical installation requirements. What if you could replace or upgrade your equipment without having to change your electrical requirements?

This means:

- ✓ Freedom to choose between manufacturers.
- ✓ Ultimate flexibility in retrofit and maintenance applications.
- ✓ Improved stock availability – you no longer need to rely on a single – source manufacturer.
- ✓ The exclusive benefits of epoxy powder coat finish that come standard on all Appleton™ coated products.

Expand your options. Meet all your application needs with our Appleton line of 21,000 electrical products. Contact us about your specific requirements at 800-621-1506 or locate a representative in your area at www.appletonelec.com.



Products engineered and certified to deliver unparalleled results for any electrical job, indoors or outdoors.

Products with an Advantage ▶ p4

Contender™ LED Series Luminaires ▶ p6

Mounting Adapters for Mercmaster™ LED Low Profile and Mercmaster LED Generation 3 ▶ p8

PlexPower™ Lighting and Power Panelboards ▶ p10

PlexPower Factory Sealed Contactors and Motor Starters ▶ p11

FM7™ Unilet™ Conduit Outlet Bodies with Wedge-Lok Covers ▶ p12

FM8™ Unilet Conduit Outlet Bodies ▶ p14

FM9™ Unilet Conduit Outlet Bodies ▶ p16

Powertite™ Plugs and Receptacles ▶ p18

U-Line™ Contender Receptacles and U-Line Interchanger Plugs ▶ p20

EBR/JBR/DBR Interlocked Receptacles ▶ p22

WSR/WSRD Interlocked Receptacles ▶ p 24

ASR™ Nonmetallic Interlocked Receptacles ▶ 26

FSQC/WSQC Interlocked Receptacles ▶ p 28

Contender™ CPS Receptacles and CPP Plugs ▶ p30

Contender and Division 2 Contender Control Stations ▶ p32

EYS and EYD Sealing Fittings ▶ p34

Kwiko™ A Sealing Cement and Filler ▶ p35

Products with an Advantage

Innovative Solutions to Industry Problems

- ✓ Interchangeable with corresponding Crouse-Hinds™ products and are Classified
- ✓ Innovative with features and benefits that provide superior performance and value
- ✓ Functionally equivalent to many standard products

Interchangeable	Innovative	Functionally Equivalent
✓ FM7 Bodies, Covers, Gaskets	✓ Epoxy Powder Coat Finish	✓ Unions
✓ FM8 Bodies, Covers, Gaskets	✓ Mercmaster LED (Family)	✓ Sealing Fittings
✓ FM9 Bodies, Covers, Gaskets	✓ Areamaster™ Generation 2 LED Flood Luminaires	✓ Flexible Couplings
✓ Powertite Plugs and Receptacles	✓ Baymaster™ LED High Bay Luminaires	✓ GR (GUA) Boxes
✓ U-Line Contender Receptacles	✓ ATX™ FELED Series Nonmetallic LED Luminaires	✓ FS/FD Boxes
✓ U-Line ECP and NCP Plugs	✓ Viamaster™ LED Series Luminaires	✓ TMC2/TMCX/TMC2X MC Fittings
✓ WSR/WSRD Interlocked Receptacles and Powertite Plugs	✓ A-51™ LED Luminaires	✓ Conduit Fittings
✓ ASR Nonmetallic Interlocked Receptacles and Powertite Plugs	✓ PlexPower Panelboards	✓ Conveyor Switches
✓ Contender CPS Receptacles and CPP Plugs	✓ PlexPower Motor Starters	✓ Junction Boxes
✓ Contender and Division 2 Contender Control Stations	✓ Plugs and Receptacles	
✓ EBR/JBR/DBR Receptacles and Powertite Plugs	✓ N1/N2 Nonmetallic Series	
✓ FSQC/WSQC Interlocked Receptacles and Powertite Plugs	✓ Expanded Fill Sealoffs	
✓ Contender LED Series Luminaires	✓ Conduit Bodies (rollers)	
	✓ D2P and EWP Panelboards	
	✓ GR with GRTB Terminal Strip	
	✓ Quad-Lead™ bolts (starters, breakers, panelboards)	



Superior Design

World leader in explosionproof design



Certified Protection

UL Listed and CSA Certified for safety



Industry Leader

Major supplier to processing industries world wide



Cutting-Edge Engineering

Innovative new products



Unsurpassed Reliability

Focus on quality









Products with an Advantage

Emerson understands that a more robust finish on a product can better protect it from the corrosive conditions where they are installed. This extra protection can extend the life of the product and ensures the integrity of the equipment for the long haul. We use a proprietary finishing technique to protect and seal our Appleton products. This finish and its' advantages come standard on all our coated products, providing superior protection at no extra cost. Epoxy powder coat products last longer, thus reducing callbacks, lowering total installation and operation costs.

The Advantages:

- **Standard on all Appleton coated products.** Enclosures, lighting and many conduit fittings get the epoxy powder coating as the final finishing step.
- **Improved triple coat finish for malleable iron products.** Epoxy powder coating is the third step in our exclusive triple coat finish. Malleable iron products have the combined advantages of zinc plating, chromate dip and epoxy powder coating.
- **More flexible than paint.** Products are more resistant to mechanical damage since the powder coat finish does not crack or chip like painted surfaces.
- **Environmentally-safe process.** Unlike conventional painting processes, our epoxy powder coat finish is completely environmentally safe. Airborne overspray particulates are nonexistent.
- **Ideal for harsh and corrosive environments.** This finish stands up to harsh and corrosive environments longer. It's the ideal choice for drilling rigs, chemical plants, refineries, pulp and paper plants, and any other demanding application.

UL Listed and CSA Certification Marks

 <p>Shows product is tested by UL and meets Standards of Safety for the U.S.</p>	 <p>Shows product is tested by CSA and meets Standards of Safety for the U.S.</p>	 <p>Shows product is tested by UL and meets applicable standards for Canada.</p>	 <p>Shows product is tested by CSA and meets applicable standards for Canada.</p>
 <p>Shows product tested by UL to meet U.S. and Canadian Standards.</p>	 <p>Shows product tested by CSA to meet U.S. and Canadian Standards.</p>	 <p>Shows components tested by UL to meet standards for components only, where some conditions exist, sold in the U.S. and Canada.</p>	 <p>Shows components tested by CSA to meet standards for components only, where some conditions exist, sold in the U.S. and Canada.</p>

Contender LED Series Luminaires

Interchangeable

The Appleton Contender LED Series luminaires by Emerson mount directly to the following Crouse-Hinds™ Champ® mounting hoods:

Mounting Hoods	Model Number
Pendant	APM2, APM3
Flexible Pendant	HPM2
Ceiling	CM2, CM3
Wall	TWM2, TWM3
Quad	QM25
25° Stanchion	JM5
Straight Stanchion	PM5

The following Crouse-Hinds™ luminaires utilize these same Champ® mounting hoods
HID and LED VMV Series
HID and Fluorescent DMV Series
HID and LED PVM Series
HID LMV Series

Full-Line Choice

Contender LED Series luminaires are available in three light output levels for retrofit of HID fixtures up to 175 W:

Nominal Lumens	HID Equivalent	Model Number
3300	70-100W	VMV3L
4400	100-150W	VMV4L
5500	150-175W	VMV5L

Nominal lumen value for 5000K CCT, clear glass globe. Detailed lumen information for all globe options available in product catalog pages. Two voltage designations are available: BU – 120-277 Vac, 50/60Hz; or 125-300 Vdc and BH – 347-480 Vac, 50/60Hz. Suitable for use from -40°C to +65°C (-40°F to +149°F).

Contender™ LED Series Features

- Compact, light weight, low profile design is suited for low mounting heights (less than 12 lbs).
- Standard 6 kV surge protection.
- Heavy duty, high temperature silicone rubber gaskets
- LED reported L70 of over 100,000 hours per IES-LM80. Fixture life can exceed 200,000 hours when operated at +25 °C (+77 °F).
- NEMA 4X, IP66/67 rated. Marine Outside Type (Salt Water).
- Luminaire comes pre-wired with 12” of 14 AWG SOOW cable protruding from the IP68 watertight NPT hub at the top of the luminaire lid.
- Customize to the application requirements with four different field replaceable globe options: clear and diffused polycarbonate, clear glass, or prismatic glass refractor.



Clear Polycarbonate



Diffused Polycarbonate



Clear Glass



Glass Refractor

Contender LED Series Luminaires *(continued)*

Standard Materials and Finishes

- Luminaire body: cast copperfree (4/10 of 1% max.) aluminum
- All hardware: stainless steel
- Globe: polycarbonate or glass
- Refractor: heat-resistant prismatic glass
- Glass globe guard: stainless steel wire
- Glass refractor guard: die cast aluminum
- Reflector: fiberglass reinforced white polyester
- Luminaire bodies and glass refractor guard: gray epoxy powder coat finish, electrostatically applied for complete uniform protection



Appleton Contender LED

Contender LED Advantages:

- Seamlessly retrofits to Crouse-Hinds™ Champ® hoods without an adapter
- Three light output levels for retrofit of HID fixtures up to 175 W.
- IP68 cord gland sealed wiring inlet to prevent water ingress into fixture from conduit
- Rugged housing with superior thermal design translates to long luminaire life.

**Crouse-Hinds™ Champ®
Mounting Hood securely mated
directly to Appleton Contender
LED Luminaire without an adapter**

**Crouse-Hinds™ Champ®
Mounting Hoods**

Contender LED Luminaire Series

- cCSAus Listed for use with Crouse-Hinds™ Champ® mounting hood.
- Certificate Number: 70170001
- Master Contract 164460

Mounting Adapters for Mercmaster LED Low Profile and Mercmaster LED Generation 3

Interchangeable

Appleton Mercmaster LED Low Profile and Mercmaster LED Generation 3 Mounting Adapters by Emerson allow the end-user to seamlessly retrofit energy efficient, Mercmaster LED Low Profile and Mercmaster LED Generation 3 luminaires to pre-existing HID mounting hoods.

Features

- Available for use with all Mercmaster LED Low Profile and Mercmaster Generation 3 Luminaires.
- Compact adapter design maintains luminaires compact, light weight, low profile for low mounting heights.
- Easy, fast installation with no loose parts.
- Labor savings; no need to pull new wires.
- Casted opening for safety cable connection.
- Standard adapter is compatible with ceiling and pendant mounting hoods:
 - Crouse-Hinds™: APM2, APM3, HPM2, CM2, and CM3
- Offset adapter is compatible with stanchion and wall mounting hoods:
 - Crouse-Hinds™: TWM2, TWM3, JM5, PM5 and QM25
- Hinge has high lip for added safety during installation and servicing. Hinge and bolt construction assures 360° compression at all points on fixture housing gasket for positive sealing. Swing away design of captive bolt and nut simplifies servicing.

Standard Materials and Finishes

- Adapters are cast copperfree (4/10 of 1% max.) aluminum
- Gray epoxy powder coat finish, electrostatically applied for complete uniform protection

Mounting Adapters for Mercmaster LED Low Profile and Mercmaster LED Generation 3 *(continued)*



Appleton Pendant/Ceiling
Mounting Adapter



Appleton Mounting Adapter
on Crouse-Hinds™ Champ®
Mounting Hood



Appleton Stanchion/Wall
Mounting Adapter



Appleton Mounting Adapter
on Crouse-Hinds™ Champ®
Mounting Hood

Mounting Adapters for Appleton Mercmaster LED Low Profile and Mercmaster LED Generation 3

- cCSAus Listed for use with Crouse- Hinds™ Champ® mounting hood.
- Certificate Number: 70072210
- Master Contract: 164460

PlexPower Lighting and Power Panelboards

Innovative

The factory sealed Appleton PlexPower Series panelboards use circuit breaker modules that provide explosionproof protection for standard off-the-shelf breakers, eliminating the need for a heavy cast enclosure. Breakers can be easily replaced, upgraded or added in the field with no bolted cover to remove, no need for sealing or rewiring and no danger of compromising flamepath integrity. Component level protection means the panelboard enclosure is lighter, more compact and easier to install.

Features

- Provides indoor and outdoor protection and control of electrical circuits such as lighting, heat trace and power circuits.
- No external conduit or cable seals required thus making installations faster, easier, and less costly.
- Features a ground-breaking design that uses individual breaker housings to minimize the downtime and costs associated with servicing circuit breakers in hazardous locations.
- Limitless flexibility through horizontal and vertical coupling options.
- Supplied with standard hard drawn, tin plated, copper bus bar for superior corrosion resistance.
- Gland plate at the bottom of enclosure can be easily field punched for cable or conduit entries. Additional gland plates available for sides and top, must be ordered with the panelboard.

Standard Materials

- Enclosures are stainless steel

Breaker Flexibility

- **Rugged Termination.** Each housing connects to the panelboard by means of line terminations designed for unyielding performance through years of heavy vibrations and shocks.
- **Flameproof Enclosure Housing.** Labyrinth joint construction and flame arrestors maintain hazardous location rating while allowing easy disassembly for servicing breakers.
- **Venting Plate.** Unique design of housing allows safe heat dissipation, enabling breakers to maintain their rated amperage while eliminating nuisance tripping.
- **Field Replaceable Components.** Standard, off-the-shelf circuit breakers and fuses are easy to obtain and reduce inventory costs and downtime.
- **Field Replaceable Fuses.** Standard, off-the-shelf fused circuit breakers are easy to obtain and reduce inventory costs and downtime.



PlexPower Lighting and Power Panelboards

- cCSAus Certified: 039199

PlexPower Factory Sealed Contactors and Motor Starters

Innovative

The factory sealed Appleton PlexPower Series contactors and motor starters are quicker and easier to install, operate, upgrade and maintain. The lightweight, modular level protection design, off-the-shelf replaceable components, and quick quarter-turn access latches make PlexPower an ideal solution for hazardous environments looking for a flexible, lightweight alternative to traditional cast and bolted systems.

Features

- No external conduit or cable seals required thus making installations faster, easier, and less costly.
- Features a ground-breaking design that uses individual breaker, contactor and motor starter housings to minimize the downtime and costs associated with maintenance in hazardous locations.
- PlexPower breakers, contactors and motor starters accommodate non-proprietary off-the-shelf breakers, contactors and motor starters, making replacements readily available from multiple sources.
- The lighter weight contactor and motor starter enclosure with quarter turn latches, can be quickly opened in the field for easier servicing.

Standard Materials

- Enclosures are stainless steel

Breaker Flexibility

- **Rugged Termination.** Each housing connects to the panelboard by means of line terminations designed for unyielding performance through years of heavy vibrations and shocks.
- **Flameproof Enclosure Housing.** Labyrinth joint construction and flame arrestors maintain hazardous location rating while allowing easy disassembly for servicing breakers.
- **Venting Plate.** Unique design of housing allows safe heat dissipation, enabling breakers to maintain their rated amperage while eliminating nuisance tripping.
- **Field Replaceable Components.** Standard, off-the-shelf circuit breakers and fuses are easy to obtain and reduce inventory costs and downtime.



PlexPower Factory Sealed Contactors and Motor Starters

- cCSAus Certified: 039199

FM7 Unilet Conduit Outlet Bodies with Wedge-Lok Covers

Interchangeable

Appleton FM7 conduit bodies, covers and gaskets by Emerson are completely interchangeable with equivalent Crouse-Hinds™ Form 7 conduit bodies and covers. Applications and installation dimensions are also comparable.

No Wire Damage

Appleton FM7 conduit bodies have a smooth, rounded, integral bushing in each hub and smooth cover openings to protect conductor insulation.

Easy Cover Removal

Unique FM7 Wedge-Lok clip cover design allows easy removal at any time without damaging the conduit body. Because the cover is secured with clips instead of screws, no retapping of corroded body screw holes is necessary to replace the cover.

Positive-Seating Cover Screws

Pan-head stainless steel cover screws, which hold the clips, provide superior screwdriver seating and torque for easier cover installation or removal. Each cover screw, washer and attached locking clip are held captive in the cover to prevent loss.

Full-Line Choice

Appleton FM7 conduit bodies are offered in a complete range of hub configurations and sizes. FM7 covers are available in stamped steel, stamped aluminum, cast Grayloy™-iron or cast aluminum. Covers can be used without gaskets, or with a solid neoprene gasket. All Appleton FM7 conduit bodies, covers and gaskets are interchangeable with Crouse-Hinds™ Form 7 conduit bodies, covers and gaskets.

Approved For Wet Locations

FM7 Grayloy-iron conduit bodies when used with cover and gasket are suitable for use in wet locations (NEMA 3R).

Maximum Corrosion Protection

Appleton FM7 Grayloy-iron conduit bodies and cast covers have a triple coat finish– (1) zinc electroplate, (2) chromate, and (3) epoxy powder coating. FM7 aluminum conduit bodies and cast covers are coated with epoxy powder coating. FM7 blank steel covers have a zinc electroplate finish. Superior FM7 finish gives greater corrosion protection in wet or harsh environments assuring long, trouble-free service.

Grayloy-Iron Properties

Grayloy is our proprietary cast graphite flake gray iron alloy with superior physical and mechanical properties offering strength, hardness, fracture toughness, high vibration absorption and dimensional stability. Tensile strength is similar to ASTM-A48 Class 30A (30,000 tensile), with Brinell hardness of approximately 180BH.

Aluminum Properties

Aluminum products are produced from a high strength copperfree (4/10 of 1% max.) alloy.

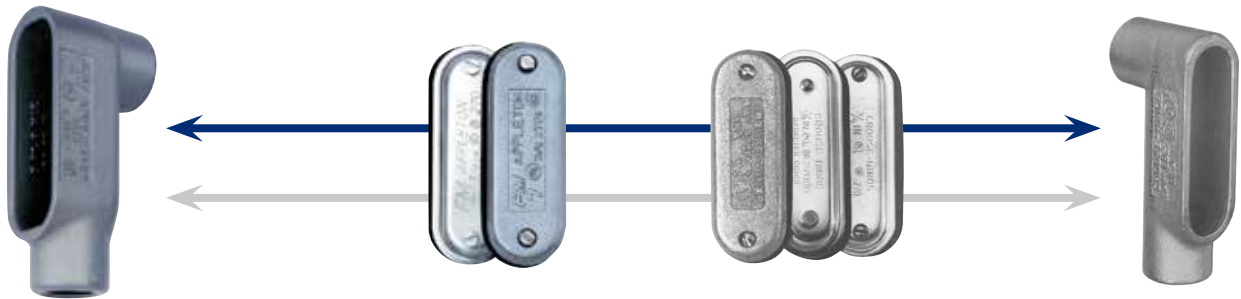
FM7 Unilet Conduit Outlet Bodies with Wedge-Lok Covers *(continued)*

More Wiring Space

The Appleton FM7 flat-back design provides greater cubic capacity for easier wire pulling and more room for splicing. FM7 flat back fits flush and snug against flat surfaces for more stable installation.

FM7 Covers with Integral Form-In-Place Gasket

We offer a one-piece cover and gasket assembly. The neoprene gasket is bonded to an iron, steel or aluminum cover for ease of installation, productivity gain and eliminates “stock outs” of one item or the other. There is no need to order, store, handle or install separate covers and gaskets because there are fewer SKU’s to order and inventory.



**Appleton FM7
Conduit Bodies**

**Appleton FM7
Covers and
Gaskets**

**Crouse-Hinds™
Form 7 Covers
and Gaskets**

**Crouse-Hinds™
Form 7**

FM7 Advantages:

- 10 styles of hub configurations
- Flat back design for more stable mounting
- Wedge-Lok clip cover design
- Triple coat with epoxy powder coat finish

Appleton Bodies / Appleton Covers

- UL Listed
- Listed for Wet Locations
- UL File: E2527 and E167726

Appleton Bodies / Crouse-Hinds™ Covers

- UL Classified for use with Listed Crouse-Hinds™ Covers
- Suitable for Wet Locations
- UL File: E167726

Appleton Covers / Crouse-Hinds™ Bodies

- UL Classified for use with Listed Crouse-Hinds™ Conduit Bodies
- Suitable for Wet Locations
- UL File: E167726

FM8 Unilet Conduit Outlet Bodies

Appleton FM8 conduit bodies, covers and gaskets by Emerson are completely interchangeable with equivalent Crouse-Hinds™ Form 8 conduit bodies and covers. Applications and installation dimensions are also comparable.

No Wire Damage

Appleton FM8 conduit bodies have a smooth, rounded, integral bushing in each hub and smooth cover openings to protect conductor insulation.

Full-Line Choice

Appleton FM8 conduit bodies are offered in a complete range of hub configurations and sizes. FM8 covers are available in Grayloy-iron or stamped steel. Covers can be used without gaskets, or with a solid or open neoprene gasket. All Appleton FM8 conduit bodies, covers and gaskets are interchangeable with Crouse-Hinds™ Form 8 conduit bodies, covers and gaskets.

Approved For Wet Locations

FM8 Grayloy-iron conduit bodies when used with cover and gasket are approved for use in wet locations (NEMA 3R).

Maximum Corrosion Protection

Appleton FM8 Grayloy-iron conduit bodies and cast covers have a triple coat finish– (1) zinc electroplate, (2) chromate, and (3) epoxy powder coating. FM8 blank steel covers have a zinc electroplate finish. Superior FM8 finish gives greater corrosion protection in wet or harsh environments, assuring long, trouble-free service.

Grayloy-Iron Properties

Grayloy is our proprietary cast graphite flake gray iron alloy with superior physical and mechanical properties offering strength, hardness, fracture toughness, high vibration absorption and dimensional stability. Tensile strength is similar to ASTM-A48 Class 30A (30,000 tensile), with Brinell hardness of approximately 180BH.

Aluminum Properties

Aluminum products are produced from a high strength copperfree (4/10 of 1% max.) alloy.

More Wiring Space

Our Appleton FM8 flat-back design provides greater cubic capacity for easier wire pulling and more room for splicing. FM8 flat back fits flush and snug against flat surfaces for more stable installation.

FM8 Unilet Conduit Outlet Bodies *(continued)*



Appleton FM8 Conduit Bodies

Appleton FM8 Covers and Gaskets

Crouse-Hinds™ Form 8 Covers and Gaskets

Crouse-Hinds™ Form 8

FM8 Advantages:

- 7 styles of hub configurations
- More wiring room
- Stainless steel screws
- Epoxy powder coat finish

<p>Appleton Bodies / Appleton Covers</p> <ul style="list-style-type: none"> • UL Listed • Listed for Wet Locations • UL File: E2527 and E167726 	<p>Appleton Bodies / Crouse-Hinds™ Covers</p> <ul style="list-style-type: none"> • UL Classified for use with Listed Crouse-Hinds™ Covers • Suitable for Wet Locations 	<p>Appleton Covers / Crouse-Hinds™ Bodies</p> <ul style="list-style-type: none"> • UL Classified for use with Listed Crouse-Hinds™ Conduit Bodies • Suitable for Wet Locations • UL File: E167726
---------------------------------------------------------------------------------------------------------------------------------------------------------------------------------------------	-----------------------------------------------------------------------------------------------------------------------------------------------------------------------------------------------------------	-----------------------------------------------------------------------------------------------------------------------------------------------------------------------------------------------------------------------------------------------

FM9 Unilet Conduit Outlet Bodies

Freedom of Choice

With Appleton FM9 of conduit bodies by Emerson, you have a single source for the right choice needed for every job.

Interchangeable

Appleton FM9 conduit bodies, covers and gaskets are completely interchangeable with equivalent Crouse-Hinds™ Mark 9 conduit bodies and covers. Applications and installation dimensions are also comparable.

No Wire Damage

Appleton FM9 conduit bodies have a smooth, rounded, integral bushing in each hub and smooth cover openings to protect conductor insulation.

Stainless Steel Screws

Stainless steel pan-head cover screws secure cover to body and provide superior screwdriver seating and torque. Cover screws are captive to prevent loss in sizes 1/2" to 2".

Full-Line Choice

Appleton FM9 conduit bodies are offered in 7 styles of hub configurations. FM9 covers are available in stamped aluminum. Covers can be used without gaskets, or with a solid neoprene gasket. All Appleton FM9 conduit bodies, covers and gaskets are interchangeable with corresponding Crouse-Hinds™ Mark 9 conduit bodies, covers and gaskets.

Approved For Wet Locations

FM9 Aluminum conduit bodies when used with cover and gasket are suitable for use in wet locations (NEMA 3R).

Aluminum Properties

Aluminum products are produced from a high strength copperfree (4/10 of 1% max.) alloy.

More Wiring Space

Roomy interiors: deep body cavity provides increased volume allowing higher wiring capacity. Covers are domed for extra wiring space.

FM9 Cover with Integral Form-In-Place Gasket

We offer a one-piece cover and gasket assembly. The neoprene gasket is bonded to the aluminum cover for ease of installation, productivity gain and eliminates "stock outs" of one item or the other. There is no need to order, store, handle or install separate covers and gaskets because there are fewer SKU's to order and inventory

FM9 Unilet Conduit Outlet Bodies *(continued)*



Appleton FM9 Conduit Bodies

Appleton FM9 Covers and Gaskets

Crouse-Hinds™ Mark 9 Covers and Gaskets

Crouse-Hinds™ Mark 9

FM9 Advantages:

- Light weight high-strength copperfree aluminum alloy
- High corrosion resistance
- Covers are dome for extra wiring space
- 7 styles of hub configurations

Appleton Bodies / Appleton Covers

- UL Listed
- UL File: E2527
- Listed for Wet Locations

Appleton Covers / Crouse-Hinds™ Bodies

- UL Classified for use with Listed Crouse-Hinds™ Conduit Body Covers for sizes up to 2"
- Suitable for Wet Locations
- UL File: E167726

Powertite Plugs and Receptacles

Freedom of Choice

Emerson's workhorse line, and the basis for many of our plug and receptacle product designs, is the Appleton Powertite Series. The Powertite Series is a rugged pin and sleeve system designed to supply power to portable or fixed electrical equipment. Powertite Series plugs and receptacles are constructed of non-corrosive copperfree aluminum, providing unmatched durability for rough usage and where extreme environmental conditions are inevitable. Paired with the proper hazardous receptacle, our Powertite plugs keep hazardous vapors and dust out by fully tightening the clamping ring, offering a trusted connection for multiple hazardous locations and applications.

Interchangeable

Powertite plugs and receptacles comply with UL Standard 1686. This standard describes similarity in contact location, voltage ratings, electrical and mechanical characteristics of other manufacturers' plugs and receptacles. Because of this standardization, all manufacturers' devices that conform to these same standards are interchangeable with one another. The Appleton Powertite Series is also UL Classified for use with Crouse-Hinds™ Arktite® Series.

Full-Line Choice

Powertite plugs and receptacles are available in 30, 60, 100, 150, 200, and 400 Amps, as well as two grounding styles. Style 1 provides shell grounding only; Style 2 provides a grounding strap from extra pole to shell housing. When certain applications require additional safety precautions or generator power, contact rotation (-P4) and/or reverse service (-RS) options are available.

Powertite Receptacle Features

- **Flexibility.** A weatherproof spring-loaded cover and NEMA 4X screw cover are included as standard on 30, 60, 100 and 150 Amp receptacles. Our 200 Amp receptacles come standard with both a weatherproof spring-loaded cover and a NEMA 4X clamping cover for application flexibility. The 400 Amp receptacles come standard with a NEMA 4X clamping cover. For convenience, our 30 through 150 Amp plugs and receptacles are made to be field serviceable for reverse service in non-hazardous locations.
- **Wet Location Suitability.** When the plug is withdrawn and the gasketed spring-loaded cover closes tightly against the receptacle, or by using the provided NEMA 4X cover to achieve weatherproof protection.

Powertite Plug Features

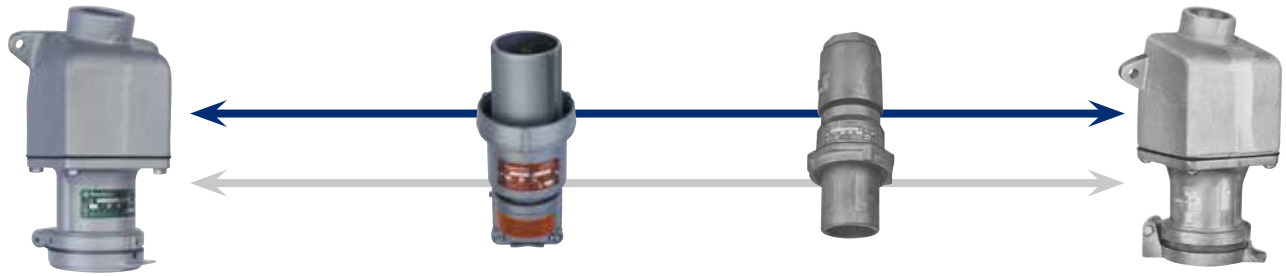
- **Safety.** Plugs of all amperages are designed so the ground makes contact first and breaks last for maximum user safety. Positive polarization permits plugs and receptacles of only the same style, number of poles and ampere rating to be used together.
- **Wet Location Suitability*.** The clamping ring on the front end of the plug has a neoprene gasket to ensure a watertight seal when mated. Weatherproof protection is achieved when compressed by the cable collar, these bushings prevent water ingress through the rear of the plug.
- **Variety of Applications.** 30, 60, 100, and 150 Amp Powertite plugs are also suitable for classified locations when used with Appleton EBR, JBR, DBR, MD2SR, or FSQC explosionproof interlocking receptacles. Four neoprene bushings are supplied as standard for varying cable sizes for different applications (400 Amp not included).

Standard Materials and Finishes

- Plugs, receptacles, connectors, and mounting box housings: copperfree aluminum with epoxy powder coat finish
- Plug and receptacle contacts: brass (30, 60, and 100 Amps) and copper (150, 200, and 400 Amps)
- Hardware: stainless steel
- Insulating block: fiberglass reinforced polyester

*NEMA ratings vary by amperage, depending on whether the plug is mated, not mated, with or without cover. Please reference product catalog pages for details.

Powertite Plugs and Receptacles *(continued)*



Appleton Powertite Receptacles

Appleton Powertite Plugs

Crouse-Hinds™ Arktite® Plugs

Crouse-Hinds™ Arktite® Receptacles

Powertite Advantages:

- Available in 30, 60, 100, 150, 200, and 400 Amp units
- Reversible cable clamps permits a wide cable range (400 Amp not included)
- NEMA 4X (30, 60, 100, 150 and 200 Amp)*
- Epoxy powder coat finish

<p>Appleton Plugs / Appleton Receptacles</p> <ul style="list-style-type: none"> • UL Listed • UL File: E145916 and E145917 	<p>Appleton Receptacles / Crouse-Hinds™ Plugs</p> <ul style="list-style-type: none"> • UL Classified for use with Listed Crouse-Hinds™ Arktite® Series Plugs • UL File: E145962 	<p>Appleton Plugs / Crouse-Hinds™ Receptacles</p> <ul style="list-style-type: none"> • UL Classified for use with Listed Crouse-Hinds™ Arktite® Receptacles • UL File: E145962
---------------------------------------------------------------------------------------------------------------------------------------------------------------	--------------------------------------------------------------------------------------------------------------------------------------------------------------------------------------------------------------------	-------------------------------------------------------------------------------------------------------------------------------------------------------------------------------------------------------------------

*NEMA ratings vary by amperage, depending on whether the plug is mated, not mated, with or without cover. Please reference product catalog pages for details.

U-Line Contender Receptacles and U-Line Interchanger Plugs

Freedom of Choice

Appleton U-Line Contender Factory Sealed 20 Amp Receptacles by Emerson provide safety in design and convenience in function. The factory sealed switch inside the receptacle is explosionproof and designed to keep out moisture and dust. Our Appleton U-Line Interchanger 15 and 20 Amp Plugs are watertight when unmated for unstoppable performance. These NEMA blade style receptacles and plugs provide power to portable and fixed equipment safely in both hazardous and industrial locations. To operate, insert the plug and rotate until it produces an audible “click,” indicating that the receptacle is energized and the plug cannot be pulled out accidentally.

Interchangeable

Our U-Line receptacle Contender product offering is intermatable with Crouse-Hinds™ ENP plugs of like NEMA blade configurations. Additionally, Appleton U-Line Contender receptacle covers are UL Classified to mount on Crouse-Hinds™ Ark • Gard® Series EDS mounting boxes.

Full-Line Choice

Appleton U-Line Contender 20 Amp receptacles are available in 125 Vac or 250 Vac. They come standard with an aluminum cover and malleable iron mounting box. Aluminum mounting boxes are also available. Standard mounting box selections include either one or two-gang, dead-end or feed-thru hub configurations, and three different hub sizes 1/2”, 3/4”, and 1”. When mounting boxes are already installed, receptacle cover assemblies are readily available.

A threaded NEMA 4X screw cover kit option is available for watertight applications. Appleton U-Line Interchanger ECP and NCP plugs come standard in 15 or 20 Amps with the choice of aluminum or polyester material. 20 Amp plugs are available in either 125 Vac or 250 Vac.

U-Line Contender Receptacle Features

- **Safety.** Our receptacles only accommodate explosionproof plugs conforming to NEMA 5-15P, 5-20P, or 6-20P using an Internal receptacle notch to reject ordinary plugs that could cause arcing in hazardous locations.
- **Wet Location Suitability.** Spring-loaded cover keeps dust and moisture out of receptacle when plug is not in use. Large neoprene gasket in receptacle throat “seals” around plug and/or cover for maximum ingress protection. External hardware is stainless steel to help improve product longevity and reduction in maintenance for extremely corrosive environments.

U-Line Interchanger Plug Features

- **Flexibility.** Our ECP and NCP plugs fit all standard non-explosionproof receptacles and explosionproof receptacles conforming to NEMA 5-15R, 5-20R, or 6-20R.
- **Unsurpassed Performance.** This easy-to-wire plug offers larger, easy to access terminals and standard size combination screws to eliminate the need for special tools. The plug’s mechanical cable clamp prevents strain on cables and passed the UL 150 lb. strain relief pull-out test for classified locations. With an added gasket between the plug base and body, these rugged plugs offer a unique to market NEMA Type 4 watertight rating when unmated.

Standard Materials and Finishes

- U-Line Contender mounting boxes: malleable iron with a triple coat– (1) zinc electroplate, (2) chromate, and (3) epoxy powder coat finish
- U-Line Contender receptacle covers: copperfree aluminum with epoxy powder coat finish
- ECP/NCP plug housings: copperfree aluminum / glass-reinforced thermoplastic polyester
- Hardware: stainless steel
- Plug and receptacle contacts: brass
- Insulating block: fiberglass reinforced polyester

U-Line Contender Receptacles and U-Line Interchanger Plugs *(continued)*



Appleton U-Line Contender Receptacles

Appleton U-Line Interchanger™ ECP/NCP Plugs

Crouse-Hinds™ ENP Plugs

Crouse-Hinds™ Ark • Gard® Receptacles

U-Line Advantages:

- Exclusive NCP polyester version plug
- Models are available for Group B atmospheres that eliminate the need for external seals
- ECP and NCP plugs are NEMA Type 4 rated when unmated
- Epoxy powder coat finish.

Appleton Plugs / Appleton Receptacles

- UL Listed
- UL File: E10784

Appleton Receptacles / Crouse-Hinds™ Plugs

- UL Classified for use with Listed Crouse-Hinds™ Plugs
- UL File: E10784

Appleton Plugs / Crouse-Hinds™ Receptacles

- UL Classified for use with Listed Crouse-Hinds™ Receptacles
- UL File: E10784

EBR/JBR/DBR Interlocked Receptacles

Freedom of Choice

Appleton EBR and JBR Series receptacles by Emerson are designed for Class I, Division 1 locations such as chemical and petrochemical plants, refineries, and other process industries, whereas Appleton DBR Series receptacles are intended for use in Class II, Groups F and G locations, including those in process industries handling coal, flour, grain, or other ignitable dusts.

Appleton EBR, DBR and JBR explosionproof receptacles use either an interlocked disconnect switch for making safe connections or a circuit breaker allowing short circuit protection for hazardous areas. These receptacles are designed for high-amperage applications where the receptacle must be interlocked with a circuit breaker or where a disconnect switch is desired.

Interchangeable

Uses standard Appleton Powertite plugs for wide acceptability. UL Classified for use with Crouse-Hinds™ Arktite® plugs.

Full-Line Choice

Unlike other manufacturers, Emerson offers both an interlocked circuit breaker and disconnect switch mechanism on the Appleton EBR and DBR Series. They are available in 30, 60 and 100 Amp models. The EBR is also available in 150 Amps. The Appleton JBR Series is available with a disconnect switch in 30 or 60 Amps. Available breakers on the Appleton EBR and DBR Series include Cutler-Hammer™ EHD (480 Vac), FDB (600 Vac), and FD (600 Vac) breakers or equivalent GE breakers. The EBR, DBR and JBR are available in 2-wire, 3-pole or 3-wire, 4-pole constructions.

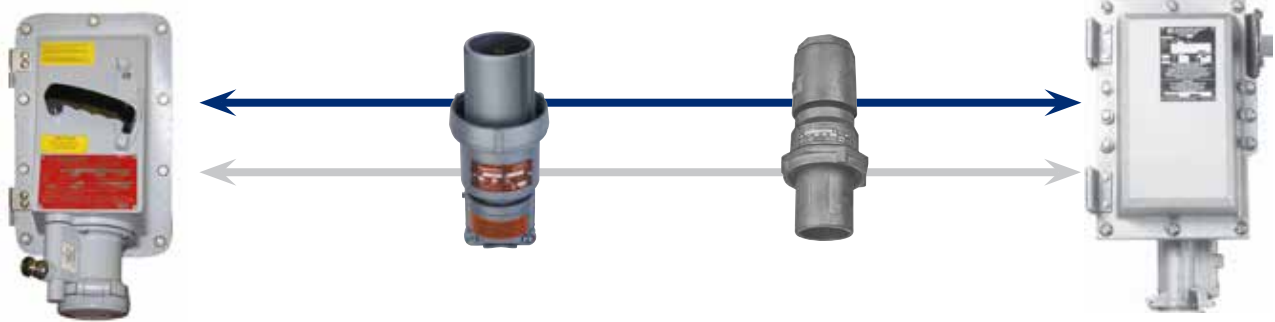
EBR/JBR/DBR Receptacle Features

- **Safety.** Interlocked receptacles come standard with our Appleton Sure-Lock plug release knob mechanism to ensure reliable interlocking for safe and quick disconnects. All receptacles use a style 2 (grounding strap from extra pole to shell housing) construction for added safety.
- **Efficiency.** All units are delivered with wiring pre-installed between the switch and the supplied terminal block making installation faster.

Standard Materials and Finishes

- EBR/JBR/DBR enclosure: copperfree aluminum with an epoxy powder coat finish
- Receptacle cover: copperfree aluminum with an epoxy powder coat finish
- Receptacle contacts: brass (30, 60, and 100 Amps) and copper (150 Amps)
- Hardware: stainless steel
- Insulating block: fiberglass reinforced polyester

EBR/JBR/DBR Interlocked Receptacles *(continued)*



Appleton EBR/JBR/DBR Interlocked Receptacles

Appleton Powertite Plugs

Crouse-Hinds™ Arkтите® Plugs

Crouse-Hinds™ EBBR/DBR Interlocked Receptacles

Advantages:

- Choice of interlocked circuit breaker or disconnect switch
- Sure-Lock plug release knob mechanism
- Style 2 Construction

<p>Appleton Plugs / Appleton Receptacles</p> <ul style="list-style-type: none"> • UL Listed • UL File: E145916 and E145917 	<p>Appleton Receptacles / Crouse-Hinds™ Plugs</p> <ul style="list-style-type: none"> • UL Classified for use with Listed Crouse-Hinds™ Arkтите® Plugs • UL File: E145962 	<p>Appleton Plugs / Crouse-Hinds™ Receptacles</p> <ul style="list-style-type: none"> • UL Classified for use with Listed Crouse-Hinds™ Arkтите® Receptacles • UL File: E145962
---------------------------------------------------------------------------------------------------------------------------------------------------------------	-------------------------------------------------------------------------------------------------------------------------------------------------------------------------------------------------------------	-------------------------------------------------------------------------------------------------------------------------------------------------------------------------------------------------------------------

WSR/WSRD Interlocked Receptacles

Freedom of Choice

Appleton WSR and WSRD Series interlocked receptacles by Emerson offer the latest in switch technology and safety through its interlocking mechanism. The mechanical interlocking mechanism prohibits plug insertion or removal under load to protect those operating the device. The attached Appleton Powertite receptacle provides a service outlet for portable equipment such as welders, generators, compressors, and conveyors in non-hazardous locations like automotive plants, shipyards, and steel processing plants.

Interchangeable

Uses standard Appleton Powertite plugs for wide acceptability. UL Classified for use with Crouse-Hinds™ Arktite® plugs.

Full-Line Choice

The Appleton WSR and WSRD Series is available in 30, 60 or 100 Amps in both fused and non-fused versions with or without a viewing window. The WSR Series enclosure material is cast aluminum (NEMA 3, 3R, 4 and 4X), while our WSRD Series is available in both sheet metal (NEMA 3R, 12) or stainless steel (NEMA 3, 3R, 4, 4X and 12). Receptacle assemblies on all models come standard with a spring-loaded cover and NEMA 4X screw cover (provided at no additional cost) to permit flexibility to meet NEMA 3, 3R, 4, 4X or 12 applications.

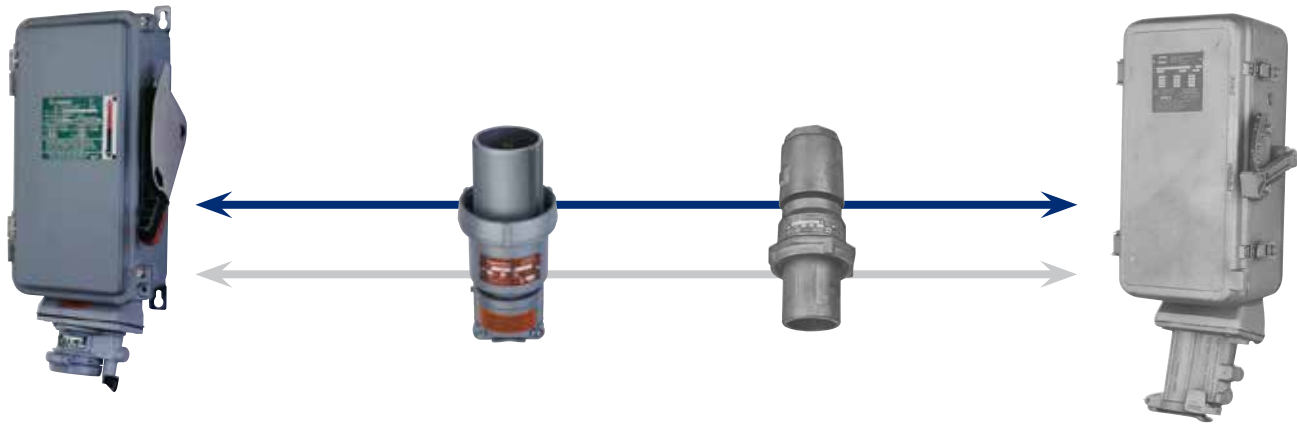
WSR/WSRD Receptacle Features

- **Safety.** The switch and receptacle are connected to the operating handle mechanism so that the enclosure door cannot be opened nor the receptacle disengaged when in the ON position. For added protection, the operating handle can be locked in the OFF position to comply with OSHA lockout/tagout requirements. All receptacles use style 2 (grounding strap from extra pole to shell housing) construction for added safety.

Standard Materials and Finishes

- WSR enclosure: copperfree aluminum with an epoxy powder coat finish inside and outside
- WSRD enclosure: enamel coated sheet metal
- WSRD-N4 enclosure: stainless steel
- Operating handle: high-impact polymer
- Receptacle contacts: brass
- Receptacle cover: copperfree aluminum with an epoxy powder coat finish
- Hardware: stainless steel
- Insulating block: fiberglass reinforced polyester

WSR/WSRD Interlocked Receptacles *(continued)*



Appleton WSR/WSRD Interlocked Receptacles

Appleton Powertite Plugs

Crouse-Hinds™ Arktite® Plugs

Crouse-Hinds™ WSR/WSRD Interlocked Receptacles

Advantages:

- Screw cover and spring-loaded cover included.
- WSR cast aluminum units and WSRD stainless steel units meet NEMA Type 4X rating.
- Receptacle assembly has epoxy powder coating inside and outside.

Appleton ACP Plugs / Appleton Receptacles

- UL Listed
- UL File: E145916 and E145917

Appleton Receptacles/ Crouse-Hinds™ Plugs

- UL Classified for use with Listed Crouse-Hinds™ Plugs
- UL File: E145962

Appleton Plugs / Crouse-Hinds™ Receptacles

- UL Classified for use with Listed Crouse-Hinds™ Receptacles
- UL File: E145962

ASR Nonmetallic Interlocked Receptacles

Freedom of Choice

Appleton ASR Series nonmetallic interlocked receptacles by Emerson are designed to create and maintain safe connections in wet locations and hose down areas where an interlocked disconnect switch is desired. This compact product is designed to fit between steel beams and offers a NEMA 4X corrosion resistant enclosure that is IP66 rated. The interlocked receptacle is used as a service outlet for portable equipment such as welders, generators, compressors, and conveyors in non-hazardous locations like food and beverage facilities, marine docks, and other areas prone to corrosive conditions.

Interchangeable

Uses standard Appleton Powertite plugs for wide acceptability. UL Classified for use with Crouse-Hinds™ Arktite® plugs.

Full-Line Choice

The Appleton ASR Series is available in 30 or 60 Amps in both fused and non-fused versions. Receptacle assemblies on all models come standard with a spring-loaded cover and NEMA 4X screw cover (provided at no additional cost) to permit flexibility to meet NEMA 3, 3R, 4, 4X or 12 applications.

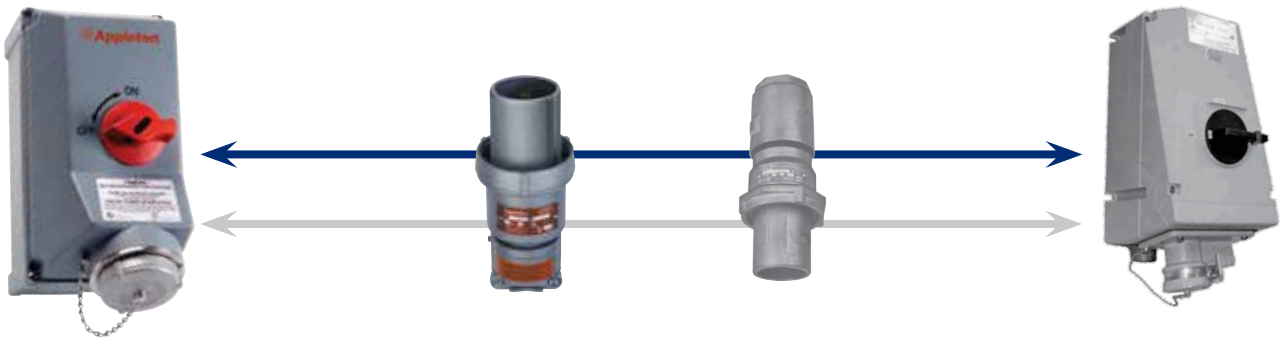
ASR Receptacle Features

- **Safety.** Rotary switch handle can be locked in the OFF position meeting OSHA lockout/tagout requirements. Plug cannot be withdrawn unless switch is moved to the OFF position. The user cannot pull the plug out if the plug is engaged and the switch is in the ON position.
- **Environmental Protection.** The enclosure's hidden hinge system eliminates sanitation concerns for bacterial buildup. Temperature rating of -40°C (-40°F) thru +60°C (+140°F) allows operation during the most extreme weather conditions. NEMA 4X enclosure made of VALOX® for outstanding corrosion resistance and is UV stabilized to resist fading or cracking over prolonged outdoor exposure.

Standard Materials and Finishes

- ASR Enclosure: VALOX® thermoplastic polyester
- Operating handle: nylon
- Receptacle contacts: brass
- Receptacle cover: copperfree aluminum with an epoxy powder coat finish
- Hardware: stainless steel and nickel-plated brass
- Insulating block: thermoset polyester

ASR Nonmetallic Interlocked Receptacles *(continued)*



Appleton ASR Nonmetallic Interlocked Receptacles

Appleton Powertite Plugs

Crouse-Hinds™ Arktite® Plugs

Crouse-Hinds™ CSR Nonmetallic Interlocked Receptacles

Advantages:

- Most compact, highly integrated design on the market.
- Available in 30 and 60 ampere models.
- Fused or non-fused models available.
- Housing made of impact resistant VALOX®.

<p>Appleton Plugs / Appleton Receptacles</p> <ul style="list-style-type: none"> • UL Listed • UL File: E145916 and E145917 	<p>Appleton Receptacles / Crouse-Hinds™ Plugs</p> <ul style="list-style-type: none"> • UL Classified for use with Listed Crouse-Hinds™ Plugs • UL File: E145962 	<p>Appleton Plugs / Crouse-Hinds™ Receptacles</p> <ul style="list-style-type: none"> • UL Classified for use with Listed Crouse-Hinds™ Receptacles • UL File: E145962
---------------------------------------------------------------------------------------------------------------------------------------------------------------	----------------------------------------------------------------------------------------------------------------------------------------------------------------------------------------------------	----------------------------------------------------------------------------------------------------------------------------------------------------------------------------------------------------------

FSQC/WSQC Interlocked Receptacles

Freedom of Choice

Appleton FSQC and WSQC Series interlocked receptacles provide best in class safety with our interlocking plug system, arc quenching and containment features and special polarization. The WSQC Series is designed for use in ordinary locations, while the FSQC Series is suitable for Class I, Division 1 and 2, Group B locations.

If you are looking for compact, durable and safe receptacles for retrofit applications or to meet existing specifications for expansion projects using lighting systems, conveyors, heaters, motor generator sets, compressors, pumps and other portable and stationary equipment, there is no longer any reason to settle.

Interchangeable

Uses standard Appleton Powertite plugs for wide acceptability. UL Classified for use with Crouse-Hinds™ Arktite® plugs.

Full-Line Choice

The Appleton FSQC and WSQC Series are available in 30, 60, and 100 Amps. Receptacle assemblies on all models come standard with a spring-loaded cover and NEMA 4X screw cover (provided at no additional cost) to permit flexibility to meet NEMA 3, 3R, 4, 4X or 12 applications. When certain applications require additional safety for receptacle differentiation, contact rotation (-P4) is available. Get more capabilities, such as auxiliary contacts (-AUX) for signaling your process control system when a plug is energized or de-energized.

FSQC/WSQC Receptacle Features

- **Safety.** Interlocked disconnect switch ensures that the plug cannot be removed, or the access cover opened, while under load.
- **Convenience.** The receptacle construction fits in the same compact footprint as competing FSQC and WSQC Series receptacles.

Standard Materials and Finishes

- FSQC/WSQC enclosure: copperfree aluminum with an epoxy powder coat finish
- Receptacle cover: copperfree aluminum with an epoxy powder coat finish
- Receptacle contacts: brass
- Hardware: stainless steel
- Insulating block: fiberglass reinforced polyester

FSQC/WSQC Interlocked Receptacles *(continued)*



Appleton FSQC/WSQC Interlocked Receptacles



Appleton Powertite Plugs



Crouse-Hinds™ Arkтите® Plugs



Crouse-Hinds™ FSQC/WSQC Interlocked Receptacles

Advantages:

- Spring-loaded cover and NEMA 4X screw cover included
- Contacts have beryllium copper wire springs
- Auxiliary contacts (1NO + 1NC) option available

<p>Appleton Plugs / Appleton Receptacles</p> <ul style="list-style-type: none"> • UL Listed • UL File: E145916 and E145917 	<p>Appleton Receptacles / Crouse-Hinds™ Plugs</p> <ul style="list-style-type: none"> • UL Classified for use with Listed Crouse-Hinds™ Arkтите® Plugs • UL File: E145962 	<p>Appleton Plugs / Crouse-Hinds™ Receptacles</p> <ul style="list-style-type: none"> • UL Classified for use with Listed Crouse-Hinds™ Arkтите® Receptacles • UL File: E145962
---------------------------------------------------------------------------------------------------------------------------------------------------------------	-------------------------------------------------------------------------------------------------------------------------------------------------------------------------------------------------------------	-------------------------------------------------------------------------------------------------------------------------------------------------------------------------------------------------------------------

Contender CPS Receptacles and CPP Plugs

Freedom of Choice

The delayed action, Appleton U-Line Contender CPS Factory Sealed 20 Amp plug and receptacles by Emerson, utilizes a “snap action” feature of the contacts allowing them to make and break quickly. The receptacle front has an internal safety slide mechanism that requires individuals to fully insert and/or withdraw the plug then rotate the safety slide and fully insert and/or withdraw the plug to make or break connection. After the plug is partially engaged, the plug cannot be accidentally removed until the plug is withdrawn — snuffing any arcs deep within the receptacles terminal chambers before external exposure — and then rotated back releasing the internal safety slide.

Interchangeable

Appleton Contender CPS Series receptacles and CPP plugs are UL Classified for use with Crouse-Hinds™ CPS Series receptacles and CPP Series plugs and receptacles. Appleton Contender CPS receptacle covers are UL Classified to mount on Crouse-Hinds™ CPS Series EDS mounting bodies.

Full-Line Choice

U-Line Contender CPS Series 125-250 Vac receptacles come standard with an aluminum cover and malleable iron mounting box. Aluminum mounting boxes are also available. Standard mounting box selections include either one or two-gangs, dead-end or feed-thru hub configurations, and three different hub sizes 1/2”, 3/4”, and 1”. When certain applications require additional safety for receptacle differentiation, contact rotation (-P4) is available.

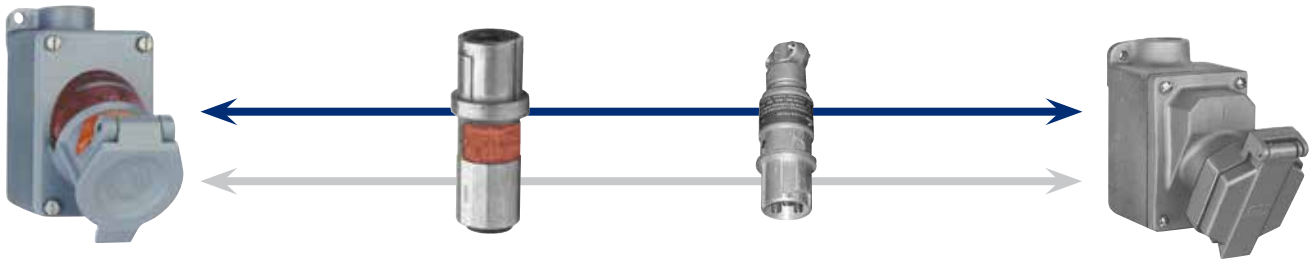
Contender CPS Receptacle Features

- **Safety.** A dead-front delayed action design provides users added safety when connecting and disconnecting plugs.
- **Efficiency.** CPS receptacles are factory sealed so no external seals are required making wiring and installation faster.

Standard Materials and Finishes

- CPS mounting boxes: malleable iron with a triple coat– (1) zinc electroplate, (2) chromate, and (3) epoxy powder coat finish
- CPS receptacle covers: copperfree aluminum with an epoxy powder coat finish
- CPP plug: copperfree aluminum
- Plug and receptacle contacts: brass
- Hardware: stainless steel
- Insulating block: fiberglass reinforced polyester

Contender CPS Receptacles and CPP Plugs *(continued)*



**Appleton Contender CPS
Factory Sealed Receptacles**

**Appleton CPP
Plugs**

**Crouse-Hinds™
CPP Plugs**

**Crouse-Hinds™
CPS Factory Sealed
Receptacles**

Advantages:

- Exclusive “Snap Action” feature for quick make/break of contact
- Epoxy powder coat finish

**Appleton Plugs /
Appleton Receptacles**

- UL Listed
- UL File: E10784

**Appleton Receptacles /
Crouse-Hinds™ Plugs**

- UL Classified for use with Listed Crouse-Hinds™ Plugs
- UL File: E10784

**Appleton Plugs /
Crouse-Hinds™ Receptacles**

- UL Classified for use with Listed Crouse-Hinds™ Receptacles
- UL File: E10784

Contender and Division 2 Contender Control Stations

Freedom of Choice

Appleton Contender and Division 2 Contender Series control stations by Emerson are classified for use in locations where flammable vapors, gases or highly combustible dusts are present. Both Series use factory sealed components that confine arcing of operator devices within the enclosure, preventing ignition of combustible atmospheres during control operation of motors and other equipment. Operator devices such as push buttons, selector switches and pilot lights are available for circuit control and visual assurance that an electrical function is being performed at a remote or local location.

Interchangeable

Appleton Contender and Division 2 Contender control station covers are UL Listed when used on Appleton Contender mounting boxes, and are UL Classified to interchange with specific combinations of Crouse-Hinds™ EDS Series control station covers and mounting boxes.

Full-Line Choice

Both Appleton Contender Series come standard with a malleable iron mounting box. Contender covers come standard in malleable iron whereas Division 2 Contender covers comes standard in aluminum. Aluminum mounting boxes are optional on the Contender and the Division 2 Contender Series to obtain a NEMA 4X rating (NEMA 4X applicable to Division 2 Contender only). Aluminum covers are also available on the Appleton Contender Series. Standard selections include either one or two-gang, tandem or three device styles, dead-end or feed-thru hub configurations, and three different hub sizes 1/2", 3/4", and 1". When mounting boxes are already installed, control station cover assemblies are available.

Hundreds of possible device operator combinations exist with our offering ranging from push buttons, pilot lights, and selector switches. Please refer to our catalog for a complete list of device operators and operator options.

Contender and Division 2 Contender Control Station Features

- Captive stainless steel cover hex head bolts provide longer life and reduced maintenance (Contender and Division 2 Contender).
- Factory sealed enclosure eliminates need for adding sealing fittings and compound at each conduit entrance (Contender and Division 2 Contender).
- Stainless steel push button shaft operates within stainless steel bushing assuring long, maintenance free operation (Contender and Division 2 Contender).
- All momentary push buttons are supplied with lockout type guards as standard. Hole in guard will accept locks with up to 1/4" hasp (Contender).
- Weatherproof silicone boot on all push buttons provide ingress protection (Contender).
- Control station covers, and operators have a silicone gasket to ensure high degree of water ingress protection (Division 2 Contender).

Standard Materials and Finishes

- Contender Series control station covers and mounting boxes: malleable iron with a triple coat– (1) zinc electroplate, (2) chromate, and (3) epoxy powder coat finish
- Division 2 Contender Series control station covers and mounting boxes: malleable iron mounting box with a triple coat– (1) zinc electroplate, (2) chromate, and (3) epoxy powder coat finish, plus an aluminum cover with an epoxy powder coat finish

Contender and Division 2 Contender Control Stations *(continued)*

- SPBB push button operator: copperfree aluminum upper barrel and phenolic lower barrel with nylon plastic button. (Contender)
- SSBA selector switch operator: copperfree aluminum mechanism, nylon cam, and sealed phenolic contact block (Contender)
- SPLS pilot light operator: copperfree aluminum guard and body assembly, steel clamping ring, and tempered glass jewel (Contender)
- Labyrinth switch push button and selector switch assembly: fiberglass reinforced thermoplastic body (Division 2 Contender)
- Cover gasket: silicone (Division 2 Contender)



Appleton Contender Mounting Boxes

Advantages:

- Captive stainless cover bolts
- Integral grounding screw
- The Labyrinth switch used in push buttons and selector switches, is rated A600 heavy pilot duty and P150.
- Cover with iron backbox is NEMA 4 rated. With aluminum backbox (*add suffix -A*), product is NEMA 4X rated. (Division 2 Contender only)
- Factory sealed devices

Appleton EDKB Contender Factory-Sealed Covers

Appleton Division 2 Contender Factory-Sealed Covers

Crouse-Hinds™ EDS Factory-Sealed Covers

Crouse-Hinds™ EDS Mounting Boxes

Appleton Contender and Division 2 Contender Control Station Covers/ Appleton Mounting Boxes

- UL Listed
- UL File: E81751

Appleton Contender and Division 2 Contender Control Station Covers/ Crouse-Hinds™ Bodies

- UL Classified for use with Crouse-Hinds™ EDS Mounting Boxes
- UL File: E157407

EYS and EYD Sealing Fittings

Freedom of Choice

Appleton Grayloy-iron sealing fittings by Emerson are suitable for Class I and II locations. Sealing fittings minimize passage of gases, vapors or flames from one portion of a conduit system to another. They also restrict large amounts of ignitable gases or vapors from accumulating to confine explosive pressure. EYS Sealing Fittings are ideal for sealing horizontal or vertical conduit and have a large opening for damming and filling. EYD Drain Sealing Fittings are ideal for close turning radius areas for sealing vertical conduit runs. Access cover has drain valve for automatic draining of water accumulation above the seal.

Applications

- Minimizes passage of gases, vapors or flames from one portion of conduit system to another. Restrict any explosion to the sealed off enclosure. Prevent pressure piling within conduit system.
- Required in Class I, Division 1 and 2 locations:
 - Within 18” of enclosures containing apparatus that may cause arcs, sparks or high temperatures
 - Where 2” or larger conduit enters enclosure, fitting housing terminals, splices or taps
 - At the boundary where conduit leaves classified location
 - Where two or more enclosures are connected by 36” or less of conduit. Seal must be located within 18” of either enclosure
 - Where cables which exceed the permitted rate of gas or vapor transmission are used in Class I, Division 2 areas

Features

- Explosionproof, dust-ignitionproof
- Smooth, rounded integral bushing in each hub protects conductor insulation
- Accurately tapped, NPT tapered threads for tight, rigid joints and ground continuity
- Raintight construction
- Removable nipple in male sealing fitting may be used interchangeably in top or bottom hub

Standard Finishes and Properties

- Material: Grayloy-iron
- Sealing fittings: of Grayloy-iron have triple coat—(1) zinc electroplate, (2) chromate, and (3) epoxy powder coat



EYS Series



EYD Series



EYF Series

EYS and EYD Sealing Fittings

- UL Standard 886
- Class I, Division 1 and 2 and Class II, Division 1 and 2, if seals are installed per NEC 501-5 (a)(b)(c)(d)(e) and NEC 502-5
- UL Listed for use with Appleton “Kwiko A” and Crouse-Hinds™ “Chico® A” cement
- UL Classified for use with Crouse-Hinds™ EDS Mounting Boxes
- UL File: E157407

Kwiko A Sealing Cement and Filler

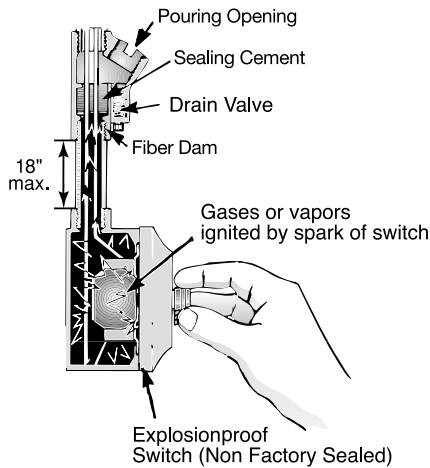
Freedom of Choice

- Appleton Kwiko A sealing cement by Emerson is a specially formulated water soluble powder. Mixed to the proper proportions, it is poured in sealing fittings and hardens to contain and restrict the passage of gases and explosions in classified areas.
- Fiber filler makes dams around and between all conductors to prevent sealing compound from leaking while being poured in its liquid state.

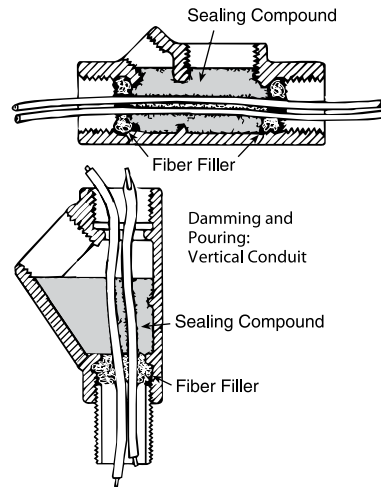


Illustrated Features

Sealing fittings prevent passage of gases, vapors or flames from one portion of a conduit system to another. They also restrict large amounts of ignitable gases or vapors from accumulating to confine explosive pressure.



Appleton sealing fittings are suitable for Class I and II locations. EYS, EYSF and EYD are for sealing vertical conduit. EY and ESU are for sealing vertical and horizontal conduit. EYDM and EYD also have drain valves.



Our products provide ultimate flexibility in retrofit and maintenance applications.



Appleton is the cornerstone brand of Emerson's Electrical Apparatus and Lighting business; trusted worldwide to make electrical installations safer, more productive and more reliable.

United States (Headquarters)

Appleton Grp LLC
9377 W. Higgins Road
Rosemont, IL 60018
United States
T +1 800 621 1506

Europe

ATX SAS
Espace Industriel Nord
35, rue André Durouchez,
CS 98017
80084 Amiens Cedex 2, France
T +33 3 2254 1390

Canada

EGS Electrical Group Canada Ltd.
99 Union Street
Elmira ON, N3B 3L7
Canada
T +1 888 765 2226

Asia Pacific

EGS Private Ltd.
Block 4008, Ang Mo Kio Ave 10,
#04-16 TechPlace 1,
Singapore 569625
T +65 6556 1100

Latin America

EGS Comercializadora Mexico S
de RL de CV
Calle 10 N°145 Piso 3
Col. San Pedro de los Pinos
Del. Álvaro Obregon
Ciudad de México. 01180
T +52 55 5809 5049

Australia Sales Office

Bayswater, Victoria
T +61 3 9721 0348

China Sales Office

Shanghai
T +86 21 3338 7000

Middle East Sales Office

Dammam, Saudi Arabia
T +966 13 510 3702

Chile Sales Office

Las Condes
T +56 2928 4819

India Sales Office

Chennai
T +91 44 3919 7300

Korea Sales Office

Seoul
T +82 2 3483 1555

Jebel Ali- Dubai Office

Emerson, Building A
Appleton Group
Jebel Ali Free Zone- South
T +971 4 811 81 00



Emerson.com



LinkedIn.com/company/emerson

The Emerson logo is a trademark and service mark of Emerson Electric Co. Appleton is a registered trademark of Appleton Grp LLC. Cutter-Hammer, Crouse-Hinds, Chico, Champ, Arkite and Ark•Gard are marks owned by Eaton. All other marks are the property of their respective owners. © 2018 Emerson Electric Co. All rights reserved.



CONSIDER IT SOLVED™