

McGill™ 0801/0821 and 0811/0831 Series Rocker Switches

NEC/CEC:
Listed for Ordinary Locations

Applications

- Suitable for 20 Amp, 12 Vdc applications.
- Recognized for reliable, long service life by appliance manufacturers and manufacturers of industrial and commercial equipment.

Features

- Designed to fit full-size rectangular cutouts. Angled corners are suggested for optimum fit, but standard rectangular cutouts are acceptable.
- 1/4" Quick connect terminals standard on all switches.
- Multiple mounting styles - offset cover plate, metal snap-in bezel, nylon snap-in bezel.
- A wide variety of circuits are available to meet your specific requirements.
- McGill™ ensures extra reliability through mechanical excellence and a margin of electrical capacity - up to 20 Amps.
- White serrated gloss rocker style.

Standard Materials

- Contacts: silver plate
- Terminals: brass or copper
- Base: phenolic +150 °C (+302 °F)
- Rocker and nylon bracket: nylon 66 +105 °C (+221 °F)
- Spring steel snap-in nickel plated bezel
- Black gloss nylon snap-in bezel

NEC/CEC Certifications and Compliances

- UL Recognized Component
- UL File Number: E335442
- UL Standard: 1054, Guide WORY2
- CSA File Number: 249055
- CSA Standard: C22.2 No. 55
- RoHS Compliant



0811-0310N



0801-1310N

REELS AND SWITCHES: ORDINARY LOCATION SWITCHES

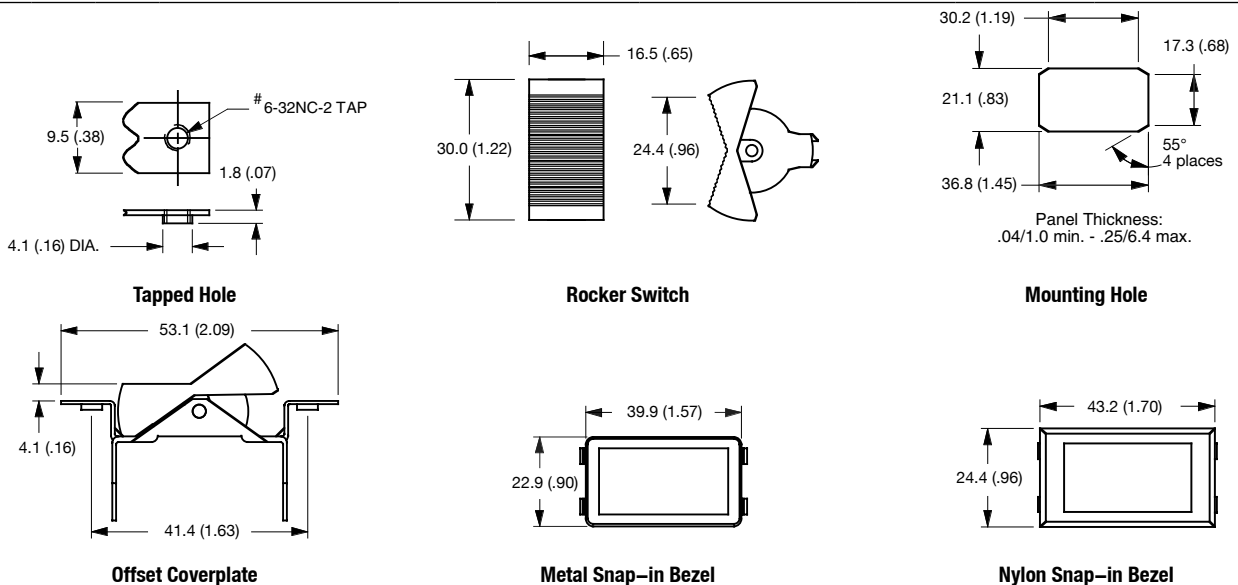
Appleton® OZGEDNEY

McGill™ 0801/0821 and 0811/0831 Series Rocker Switches

NEC/CEC:
Listed for Ordinary Locations

Circuitry			Single Pole				Double Pole		
A	B	C	Mounting	Poles	Catalog Number	Rating	Poles	Catalog Number	Rating
ON	—	OFF	Offset Coverplate	SPST	0801-0310N		DPST	0811-0310N	
ON	—	OFF	Snap-in Bezel (Metal)	SPST	0801-1310N		DPST	0811-1310N	
ON	OFF	ON	Offset Coverplate	SPDT	0801-0311N		DPDT	0831-0311N	
ON	OFF	ON	Snap-in Bezel (Metal)	SPDT	0801-1311N		DPDT	0831-1311N	
ON	—	ON	Offset Coverplate	SPDT	0801-0312N		DPDT	0831-0312N	
ON	—	ON	Snap-in Bezel (Metal)	SPDT	0801-1312N	15 Amp, 125 Vac 10 Amp, 250 Vac 3/4 HP, 125-250 Vac	DPDT	0831-1312N	15 Amp, 125 Vac 10 Amp, 250 Vac 3/4 HP, 250 Vac
(ON)	—	OFF	Offset Coverplate	SPST	0821-0313N		DPST	0831-0313N	
(ON)	—	OFF	Snap-in Bezel (Metal)	SPST	0821-1313N		DPST	0831-1313N	
(ON)	OFF	(ON)	Offset Coverplate	SPDT	0821-0314N		DPDT	0831-0314N	
(ON)	OFF	(ON)	Snap-in Bezel (Metal)	SPDT	0821-1314N		DPDT	0831-1314N	
(ON)	OFF	ON	Offset Coverplate	SPDT	0821-0316N		DPDT	0831-0316N	
(ON)	OFF	ON	Snap-in Bezel (Metal)	SPDT	0821-1316N		DPDT	0831-1316N	
ON	—	(OFF)	Offset Coverplate	SPST	0821-0317N †		DPST	0831-0317N	
ON	—	(OFF)	Snap-in Bezel (Metal)	SPST	0821-1317N †	15 Amp, 125 Vac 10 Amp, 250 Vac 3/4 HP, 250 Vac	DPST	0831-1317N	15 Amp, 125 Vac 10 Amp, 250 Vac 3/4 HP, 250 Vac
(ON)	—	ON	Offset Coverplate	SPDT	0821-0318N		DPDT	0831-0318N	
(ON)	—	ON	Snap-in Bezel (Metal)	SPDT	0821-1318N		DPDT	0831-1318N	
ON	—	OFF	Snap-in Bezel (Nylon)	SPST	0801-1310AN	20 Amp, 120-277 Vac	DPST	0811-1310AN	20 Amp, 120-277 Vac 1-1/2 HP, 125 Vac 3/4 HP, 125-250 Vac
ON	OFF	ON	Snap-in Bezel (Nylon)	SPDT	0801-1311AN	20 Amp, 120-277 Vac 1-1/2 HP, 125 Vac	DPDT	0831-1311AN	20 Amp, 120-277 Vac 1-1/2 HP, 125 Vac
ON	—	ON	Snap-in Bezel (Nylon)	SPDT	0801-1312AN	3/4 HP, 125-250 Vac	DPDT	0831-1312AN	3/4 HP, 125-250 Vac

Dimensions in Millimeters (Inches)



() Momentary. Poles: SP = single pole, DP = double pole, ST = single throw, DT = double throw.
 † Not CSA or UL Approved.

Shaded catalog numbers are normally stocked items. All other items are made to order. Contact your local sales representative for pricing.