

# Threaded Circuit Breakers and Enclosures

## Explosionproof, Dust-Ignitionproof, Watertight

2- and 3-Pole, Non-Interchangeable Trip. Threaded Enclosure Type.

### NEC:

Class I, Division 1 and 2, Groups C, D  
Class II, Division 1 and 2, Groups E, F, G

Class III  
NEMA 4X, 7CD, 9EFG

### Application

- “AE” type circuit breakers are used in areas where hazardous materials are handled or stored.
- These units provide protection against overloading and/or short circuits on power circuit feeder or branch circuits. They also provide disconnect means and thermal time delay overload protection.

### Features

- Cast on slotted mounting feet.
- Ground lug package and installation instruction for termination of ground wire.
- External operating handle with slots for limiting handle travel.
- Breaker operator can be locked in the ON or OFF position.
- Standard outlets for line and load wiring.
- Plugged 1/2” outlets top and bottom for breather and drain.
- Wide range of drilled and tapped outlets.
- Breakers are mounted on a painted removable pan.
- Enclosures are designed to accept GE ▶, Square D ■ and Cutler-Hammer † circuit breakers. For other brands—contact your local representative.
- Enclosures furnished with or without breakers.
- Readily accessible circuit breakers outside the center housing.
- Rated for NEMA 4X (gray epoxy-coated inside and outside).
- Acme screw type square threads designed to prevent seizing.
- Bell threads are located inside the housing—protects against damage or contaminants.

### Standard Materials

- Housing: cast copperfree (4/10 of 1% max.) aluminum
- Breaker shafts, operators, bushings and exposed hardware: stainless steel

### Standard Finishes

- Housing: epoxy coated inside and outside

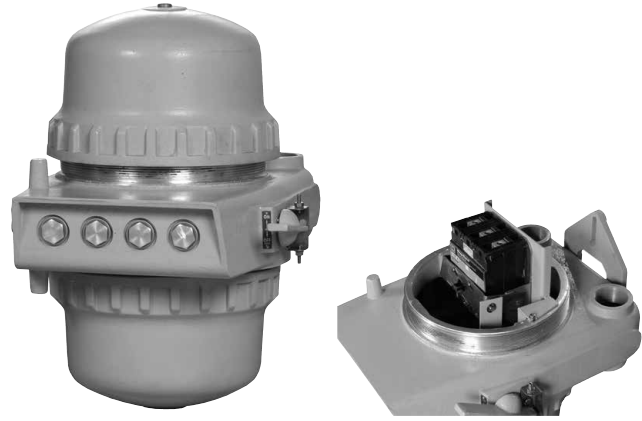
### Options

Must be listed in alphanumeric sequence at the end of the catalog number.

- Auxiliary switch (1A or 1B), add suffix —**AS1**.
- Auxiliary switch (2A or 2B), add suffix —**AS2**.
- Breather, NEMA 4X (includes outlet and installation), add suffix —**BR**.
- Drain, NEMA 4X (includes outlet and installation), add suffix —**DN**.
- External grounding stud, add suffix —**EGS**.
- Plastic nameplate, add suffix —**NP**.
- Shunt trip (specify voltage), add suffix —**ST**.
- Under voltage release (specify voltage), add suffix —**UV**.
- For +50 °C (+122 °F) breaker rating, add suffix —**V**.

### NEC Certifications and Compliances

- UL Standard: UL 1203
- UL Listed: E84577



▶ GE is a registered trademark of General Electric Company.

■ Square is a registered trademark of Schneider Electric.

+ Cutler-Hammer is a registered trademark of Eaton Corporation.

# Threaded Circuit Breakers and Enclosures

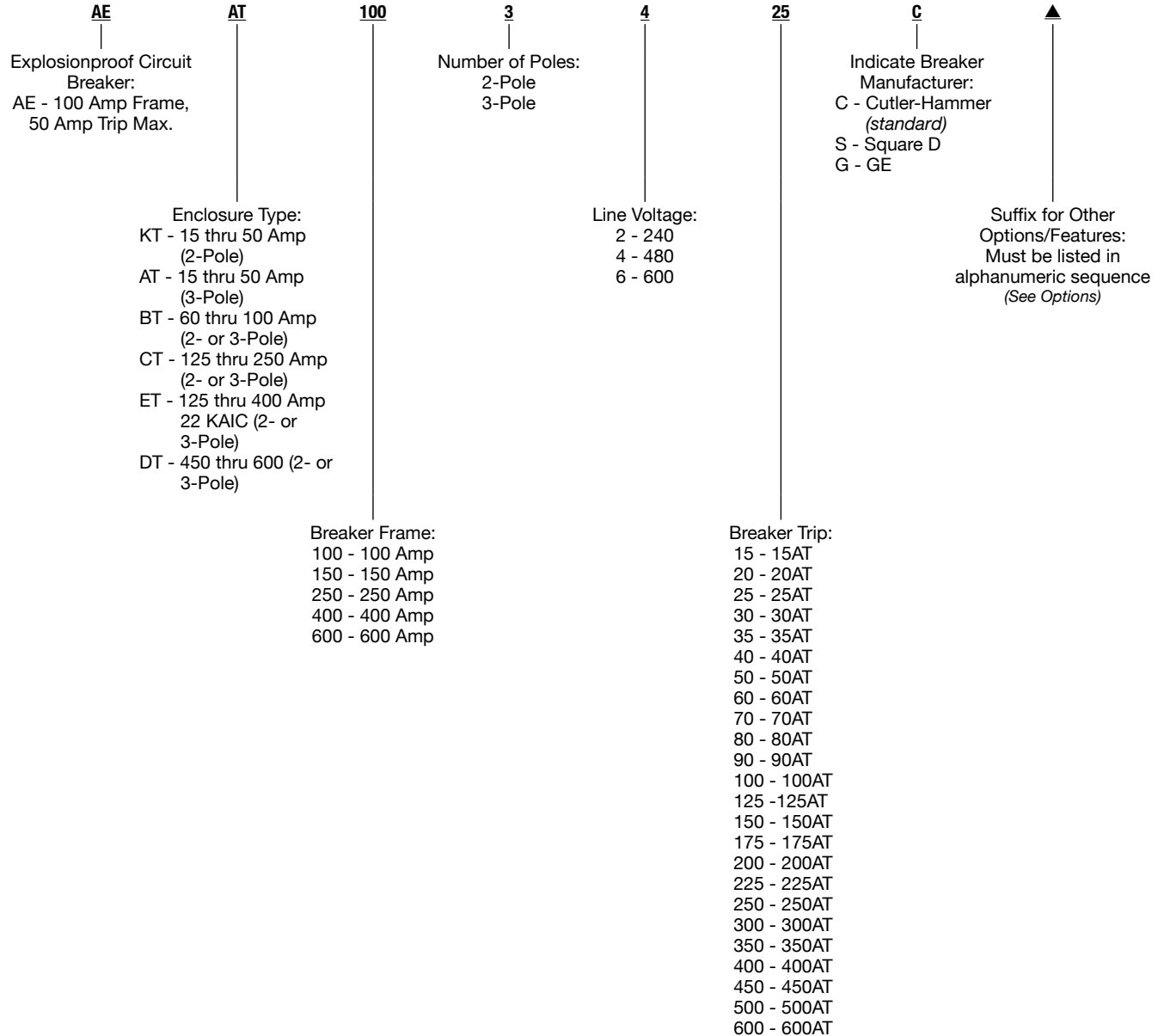
## Explosionproof, Dust-Ignitionproof, Watertight

2- and 3-Pole, Non-Interchangeable Trip. Threaded Enclosure Type.

**NEC:**

Class I, Division 1 and 2, Groups C, D  
 Class II, Division 1 and 2, Groups E, F, G  
 Class III  
 NEMA 4X, 7CD, 9EFG

### Catalog Numbering Guide



DISTRIBUTION EQUIPMENT: NEC/CEC EXPLOSIONPROOF CIRCUIT BREAKERS



▲ To complete the catalog number please add the appropriate suffix for other options/features. These suffixes can be found under Options in this section.

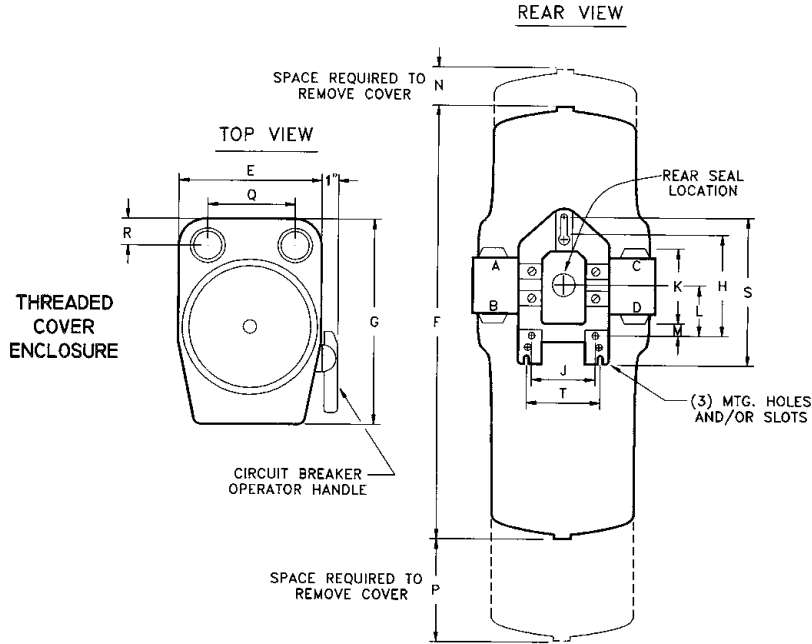
# Threaded Circuit Breaker and Enclosure

## Explosionproof, Dust-Ignitionproof, Watertight

2- and 3-Pole, Non-Interchangeable Trip. Threaded Enclosure Type.

NEC:  
 Class I, Division 1 and 2, Groups C, D  
 Class II, Division 1 and 2, Groups E, F, G  
 Class III  
 NEMA 4X, 7CD, 9EFG

Dimensions in Millimeters (Inches)



Dimensions	AEKT	AEAT	AEBT	AECT	AEET	AEDT
E	270.0 (10.63)	270.0 (10.63)	270.0 (10.63)	350.0 (13.78)	482.6 (19.00)	482.6 (19.00)
F	571.5 (22.50)	571.5 (22.50)	571.5 (22.50)	698.5 (27.50)	1206.5 (47.50)	1206.5 (47.50)
G	387.3 (15.25)	387.3 (15.25)	387.3 (15.25)	514.35 (20.25)	704.8 (27.75)	704.8 (27.75)
H	203.2 (8.00)	203.2 (8.00)	203.2 (8.00)	203.2 (8.00)	—	—
J	120.6 (4.75)	120.6 (4.75)	120.6 (4.75)	120.6 (4.75)	—	—
K	146.8 (5.78)	146.8 (5.78)	146.8 (5.78)	190.5 (7.50)	285.75 (11.25)	285.75 (11.25)
L	95.5 (3.75)	95.5 (3.75)	95.5 (3.75)	95.2 (3.75)	146.0 (5.75)	146.0 (5.75)
M	26.9 (1.06)	26.9 (1.06)	26.9 (1.06)	—	3.3 (0.13)	3.3 (0.13)
N	190.5 (7.50)	190.5 (7.50)	190.5 (7.50)	270.0 (10.63)	406.4 (16.00)	406.4 (16.00)
P	279.4 (11.00)	279.4 (11.00)	279.4 (11.00)	584.2 (23.00)	524.0 (20.63)	524.0 (20.63)
Q	185.6 (7.31)	185.6 (7.31)	185.6 (7.31)	219.2 (8.63)	299.2 (11.78)	299.2 (11.78)
R	58.6 (2.31)	58.6 (2.31)	58.6 (2.31)	76.2 (3.00)	107.4 (4.32)	107.4 (4.32)
S	—	—	—	—	304.8 (12.00)	304.8 (12.00)
T	—	—	—	—	165.1 (6.50)	165.1 (6.50)

### Approximate Weight in Kilograms (Pounds)

For Enclosure Only	AEKT	AEAT	AEBT	AECT	AEET	AEDT
	15.75 (35)	15.75 (35)	15.75 (35)	36.00 (80)	90.00 (200)	90.00 (200)

DISTRIBUTION EQUIPMENT: NEC/CEC EXPLOSIONPROOF CIRCUIT BREAKERS

