

1520 Top Mounted Flow Switch

Form 499CM

1520 is a vertically mounted, vane-operated flow switch suitable for plant and OEM applications where open or closed contacts are required to signal flow or no flow conditions. The vane extension arm moves a magnet that actuates (deactuates) a hermetically sealed reed switch.

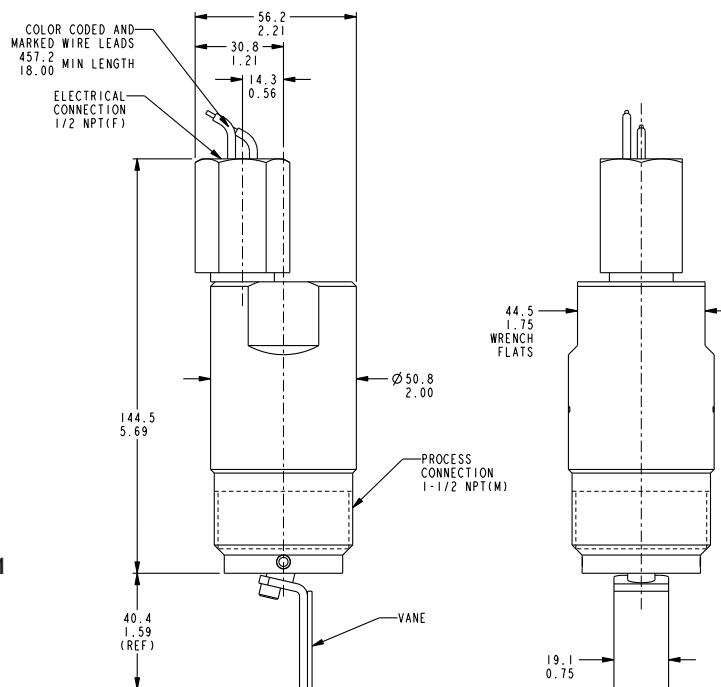


Product Specifications

Mounting	
Orientation	Vertical mount only
Connection Size	1-1/2" through 6"
Connection Type	NPT(M) or Flanged
Maximum Process Pressure*	5000 psi (345 bar)
Process Temperature Range	-40 to 400°F (-40 to 204°C)
Electrical	
Switch Type	Hermetically sealed reed switch with 18" 20 AWG wire leads
Housing	Class I, Group A, B, C & D; Division 1 & 2 with CS option
Optional Relay Housing	Class I, Groups C & D, Divisions 1 & 2 with CS option
Connection Size	1/2" NPT(F)
Minimum Flow Rate	1 FPS
Design Code	ANSI B31.3
Shipping Weight	Approximately 6 lbs. (3 kg)
Agency Listing	CSA Certified (US & Canada) and ANSI/ISA 12.27.01, ATEX and IEC approved (optional). See page 2.

Dimensions

*Agency certifications may affect ratings. See Accessories for details.



Design and specifications are subject to change without notice.

Drawing 0390011

1520 Top Mounted Flow Switch

How to Order

Model Number System

1520 - B - F - 5A - C - W9 - EF - NC9A

Switch Mechanisms **3**

Amperages based on resistive loads

General Purpose	SPST	0.9A @ 110 VAC Max 3A @ 28 VDC Max 3 Watt Minimum	W9
General Purpose	SPDT	0.9A @ 110 VAC Max 3A @ 28 VDC Max 3 Watt Minimum	W1
Low Power	SPST	25 Watts Max	L9
Low Power	SPDT	25 Watts Max	L1

Process Connections **2**

Threaded:	1 1/2" NPT(M)	5A
	2" NPT(M)	2A
Flanged: (Available with 316SS body only) May affect process pressure rating.	2 1/2" 150#	7C
	300#	7D
	600#	7E
	3" 150#	3C
	300#	3D
	600#	3E
	4" 150#	4C
	300#	4D
	6" 150#	6C
	300#	6D

Body Material **1**

303SS (Standard)	B
316 Stainless Steel	C

4 Optional Accessories

CK*	Insert accessory designator(s) as needed ATEX and IECEx dual approved. Ex d IIC Ga/Gb T4 (-40°C < Ta < +90°C), T5 (-40°C < Ta < +75°C) and Ex ia IIC T3 (-40°C < Ta < +125°C)
CL*	ATEX and IECEx approved. Ex ia IIC T3 (-40°C < Ta < +125 °C)
CR	3/4" NPT(F) conduit connection
CS*	CSA Certified. Class 1, Group A, B, C, D; Divisions 1 & 2. For relay option; Class 1, Group C & D, Divisions 1 & 2. Single seal ambient & process temperatures -40°C to +125°C Additional seal not required.
HT	316 stainless steel terminal block housing. CSA Certified Class I, Groups A, B, C & D; Class II, Groups E, F, & G, Class III; Division 1 (NEMA 4X)
NC	NACE construction - MR 01-75 / ISO 15156 2003. Available only with 316SS materials of construction
RB**	24 VDC powered DPDT relay in explosion proof terminal box. Contact rating: 10 amps @ 115 VAC. Class I, Group C, D; Divisions 1 & 2.
RC**	120 VAC powered DPDT relay in explosion proof terminal box. Contact rating: 10 amps @ 115 VAC. Class I, Group C, D; Divisions 1 & 2
RR	Tag, stainless steel. (Attached with stainless steel wire to housing. Stamped with customer specified tagging information. 2 lines, 18 characters and spaces per line.)
TT	Stainless steel nameplate permanently attached to housing. Stamped with customer specified tagging information.

*CK, CL or CS option is required on all flange mounted units.

**Not available with L9 or L1 switch options.

1520 **B** **F** **5A** **C** **W9** **EF** **NC** **9A** ← **Model Number**

1520 Top Mounted Flow Switch

Certificates

1520 Flow Switch	Certificates	C1	C3	C4	C5	C6	C7	B5	B6	B7
	Calibration	◆							◆	◆
Inspection Report		◆						◆	◆	◆
Compliance / Conformance				◆						◆
Dielectric Test					◆			◆		
Insulation Resistance						◆		◆	◆	
QA Test Report							◆			

Replacement Parts

Part Number	Description
3130 - 106	W9 - SPST Hermetically Sealed Switch Capsule
3130 - 245	W1 - SPDT Hermetically Sealed Switch Capsule
3130 - 107	L9 - SPST Hermetically Sealed Switch Capsule
3130 - 244	L1 - SPDT Hermetically Sealed Switch Capsule
3130 - 118	316SS Vane Assembly
3130 - 403	Actuator Arm Replacement Kit (1-1/2" NPT and flanged process connections)
3130 - 404	Actuator Arm Replacement Kit (2" NPT process connection)

Limited Warranty

Cameron agrees to repair or replace any switch found to be defective in material or workmanship within five years from date of shipment. The limited warranty is valid only if the switch was installed in accordance with published factory installation instructions, operated within the design limitations stated on the nameplate, and returned to the factory for inspection, freight prepaid, within the warranty period. Contact the factory for return authorization. No claim for labor or consequential damages will be allowed.

NORTH AND SOUTH AMERICA

14450 JFK Blvd.
Houston, TX 77032
USA
Tel 1 281 582 9500
ms-us@c-a-m.com

7300 Nix Dr.
Duncan, OK 73533
USA
Tel 1 580 470 9600
ms-us@c-a-m.com

1000 McClaren Woods Dr.
Coraopolis, PA 15108
USA
Tel 1 724 273 9300
gasufm@c-a-m.com

7944 10th Street NE
Calgary, Alberta T2E 8W1
Canada
Tel 1 403 291 4814
ms-canada@c-a-m.com

EUROPE, AFRICA, CASPIAN AND RUSSIA

3 Steyning Way
Southern Cross Trading Estate
Bognor Regis
West Sussex PO22 9TT
England, UK
Tel 44 1243 826741
ms-uk@c-a-m.com

ASIA PACIFIC AND MIDDLE EAST

Suite 16.02 Menara AmFirst
No. 1 Jalan 19/3
46300 Petaling Jaya
Selangor Darul Ehsan
Malaysia
Tel 603 7954 0145
ms-kl@c-a-m.com

Level 9, Al Jazira Club Tower A
P.O. Box 47280, Muroor Road
Abu Dhabi
United Arab Emirates
Tel 971 2 596 8400
ms-uk@c-a-m.com

Learn more about Cameron's
measurement solutions at:
www.c-a-m.com/measurement



HSE Policy Statement
At Cameron, we are committed ethically, financially and personally
to a working environment where no one gets hurt and nothing gets harmed.