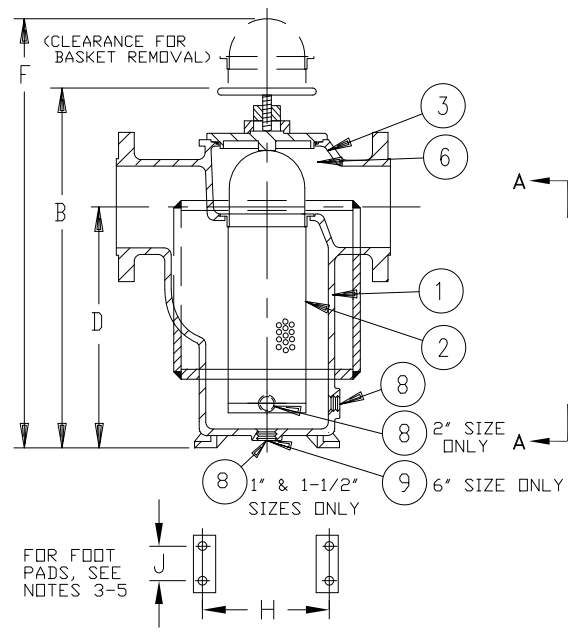
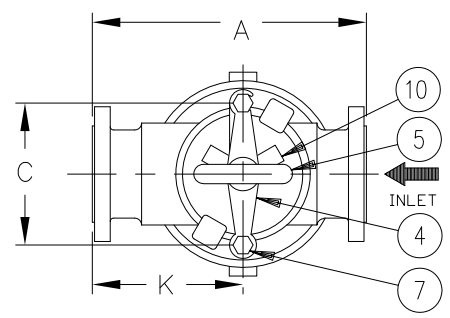
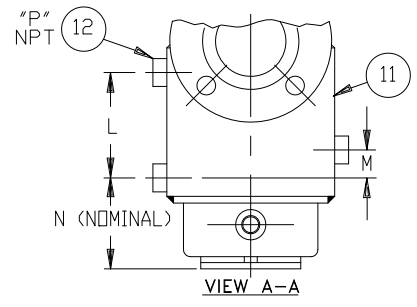


REVISIONS				
REV	DESCRIPTION	BY	ECO	DATE
E	UPDATED TITLE BLOCK	R. DHONDE	0106104	12/24/2014

NO.	PART NAME	MATERIAL
1	BODY	STAINLESS STEEL A351 GR.CF8M
2	SCREEN	
	PERF. DIA.	
	MESH	
3	COVER	STAINLESS STEEL A351 GR.CF8M
4	YOKE	DUCTILE IRON
5	YOKE SCREW	STEEL
6	D-RING	VITON
7	STUD	STEEL
8	DRAIN PLUG	STAINLESS STEEL
9	BODY PLUG	STAINLESS STEEL
10	COVER CLAMP	DUCTILE IRON
11	STEAM JACKET	STAINLESS STEEL
12	3000# HALF COUPLING WITH PIPE PLUG	STAINLESS STEEL



- NOTES:
1. INLET/OUTLET 150 LB. RAISED FACED FLANGED CONNECTIONS PER ASME B16.5.
 2. COVER CLAMP (ITEM 10) FOR 4", 6" SIZES.
 3. 7/16"Ø SLOTTED FOOT PADS FOR SIZE 2".
 4. 1/2"Ø SLOTTED FOOT PADS FOR SIZE 3".
 5. 9/16"Ø SLOTTED FOOT PADS FOR SIZE 4".
 6. 9/16"Ø HOLED FOOT PADS FOR SIZE 6".
 7. DIMENSION "G" (NPT) IS FOR DRAIN PLUG, ITEM 8.
 8. ITEM 9, BODY PLUG IS NOT TO BE USED AS DRAIN.
 9. MAX. WORKING PRESSURE: 200 PSI @ 100° F (13.8 BAR @ 37.8° C)
 10. STEAM JACKET RATING: 100 PSI @ 400°F MAX (6.9 BAR @ 204.4°C)



PIPE SIZE (NOMINAL)	DIMENSIONS															WEIGHT LBS., KGS. (DRY)	PART NO.
	A IN. MM.	B IN. MM.	C IN. MM.	D IN. MM.	F IN. MM.	G (NOM.) IN. MM.	H IN. MM.	J IN. MM.	K IN. MM.	L IN. MM.	M IN. MM.	N IN. MM.	P (NOM.) IN. MM.				
1" (25mm)	7.63/194	8.38/213	4.00/102	5.00/127	12/305	1/2 (15)	N/A	N/A	4.31/110	2.00/51	0.50/13	1.25/32	1/2 (15)	16 / 7	ST072010BR20SJ		
1-1/2" (40mm)	10.25/260	11.00/279	4.88/124	7.00/178	16/406	3/4 (20)	N/A	N/A	5.75/146	3.25/82	0.50/13	3.00/76	1/2 (15)	25 / 12	ST072015BR20SJ		
2" (50mm)	10.50/268	13.75/349	6.75/172	7.63/194	20/508	1/2 (15)	5.50/140	2.75/70	5.75/146	3.31/84	1.50/38	4.38/111	1/2 (15)	45 / 20	ST072020BR20SJ		
2-1/2" (65mm)	11.63/295	15.63/397	8.00/203	8.88/226	23/584	3/8 (10)	6.50/165	2.88/73	6.63/168	2.50/64	0.75/19	5.00/127	1/2 (15)	75 / 34	ST072025BR20SJ		
3" (80mm)	13.13/334	18.75/476	7.94/202	12.00/305	27/686	1/2 (15)	7.00/178	3.13/80	7.81/198	5.75/146	1.50/38	4.75/121	1/2 (15)	105 / 48	ST072030BR20SJ		
4" (100mm)	17.25/438	19.88/505	10.69/272	10.69/272	29/737	1/2 (15)	10.00/254	3.88/99	9.63/245	4.38/111	1.50/38	5.25/133	3/4 (20)	155 / 70	ST072040BR20SJ		
6" (150mm)	19.63/499	28.50/724	10.69/272	18.31/465	46/1168	1/2 (15)	10.00/254	5.00/127	10.81/275	15.00/381	1.50/38	4.63/117	3/4 (20)	280 / 127	ST072060BR20SJ		

DRAWN BY AB	SCALE AS DRAWN	RESTRICTION RESTRICTED	SHEET 1 OF 1	PROJECTION THIRD ANGLE	DATE 04/04/97	SIZE A	DWG FILENAME SD072035	REV E	<p>HYDRAULICS GROUP FILTRATION DIVISION GALESBURG, MICHIGAN, USA • TINTON FALLS, NEW JERSEY, USA</p>				
										<p>TITLE MODEL 72 SIMPLEX STRAINER, 150# RAISED FACE FLANGE STEAM JACKETED, SIZES 1" THRU 6" STAINLESS STEEL</p>			
CUSTOMER INFO		NAME		P.O. NO.		TAG NO.		S.O. NO.		PART NO.		SEE TABLE	
<p>EATON CORPORATION - CONFIDENTIAL AND PROPRIETARY NOTICE TO PERSONS RECEIVING THIS DRAWING AND/OR TECHNICAL INFORMATION THIS DOCUMENT, INCLUDING THE DRAWING AND INFORMATION CONTAINED THEREON IS CONFIDENTIAL AND IS THE EXCLUSIVE PROPERTY OF EATON AT ANY TIME. BY TAKING THE POSSESSION OF THIS DOCUMENT THE RECIPIENT ACKNOWLEDGES AND AGREES THAT THIS DOCUMENT CANNOT BE USED IN ANY MANNER ADVERSE TO THE INTEREST OF EATON AND THAT NO PORTION OF THIS DRAWING MAY BE COPIED OR OTHERWISE REPRODUCED WITHOUT THE PRIOR WRITTEN CONSENT OF EATON, IN THE CASE OF CONFLICTING CONTRACTUAL PROVISIONS, THIS NOTICE SHALL GOVERN THE STATUS OF THIS DOCUMENT. 2015 EATON CORPORATION - ALL RIGHTS RESERVED.</p>													