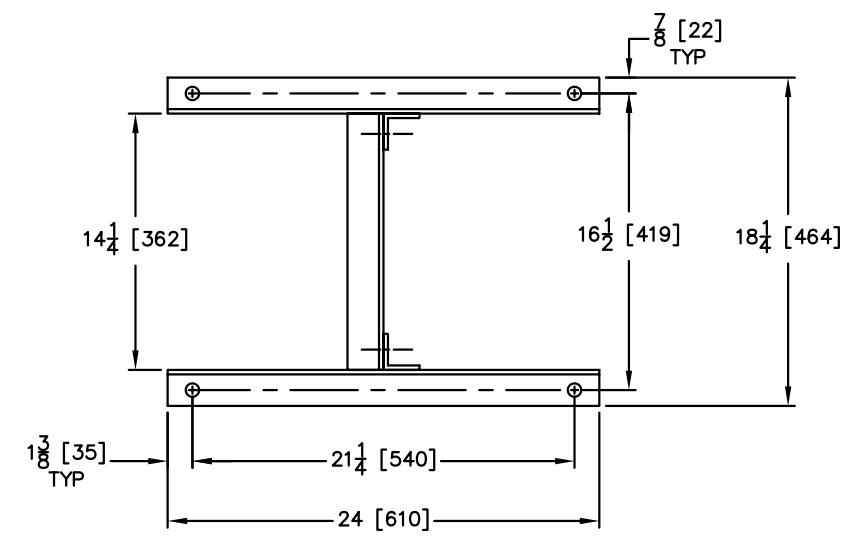
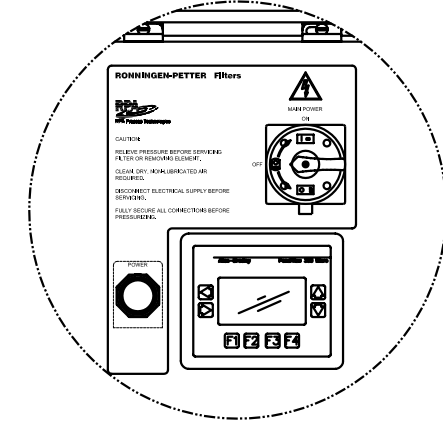
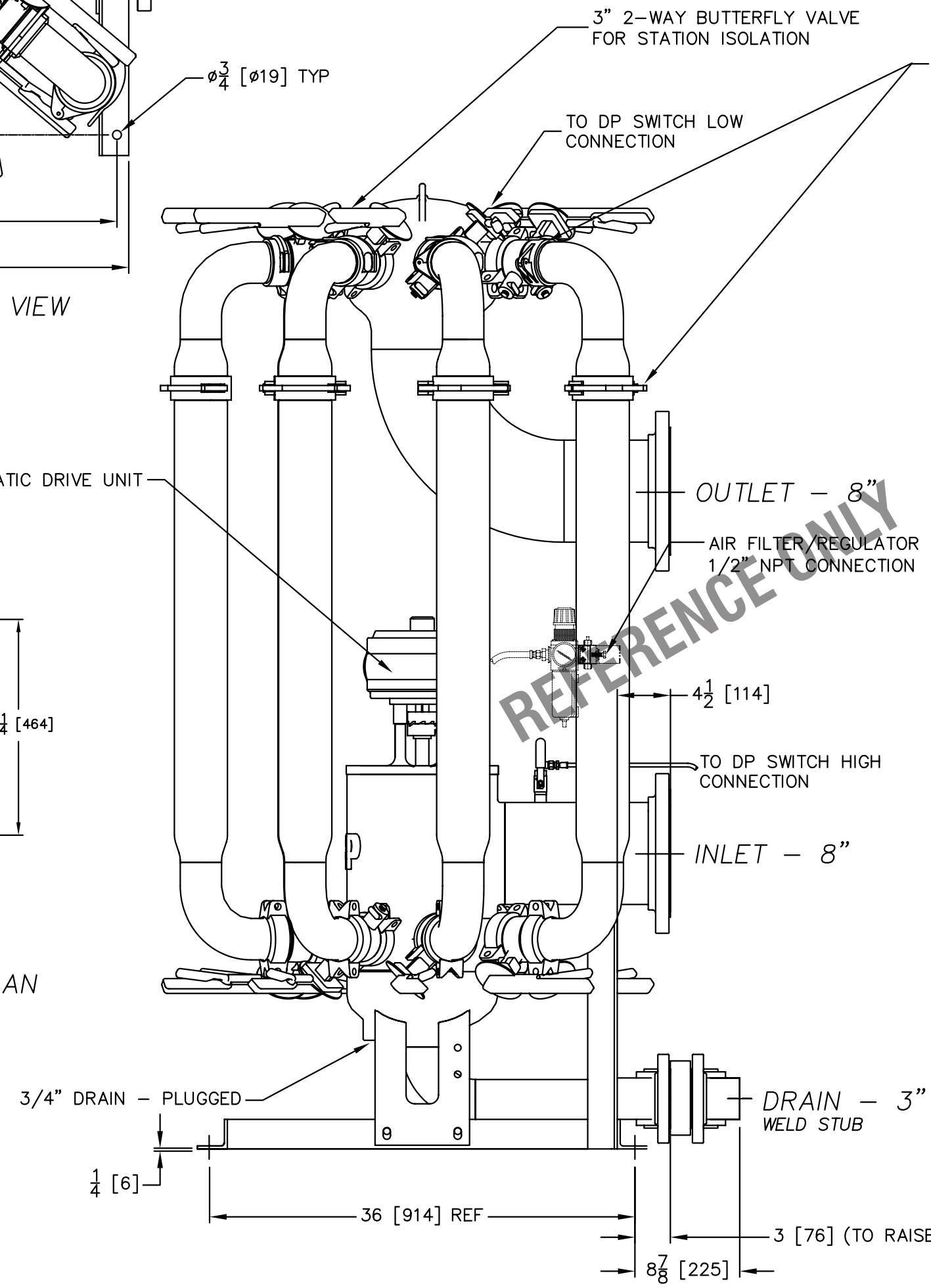


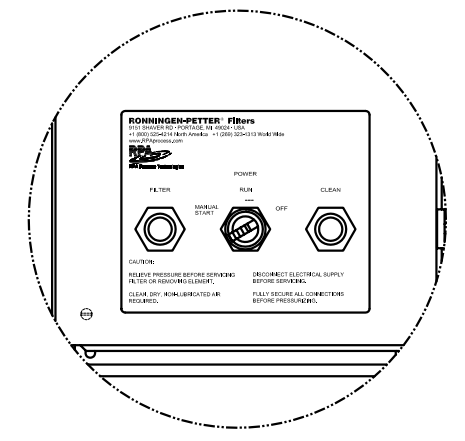
FOUNDATION PLAN VIEW



ENCLOSURE STAND FOUNDATION PLAN

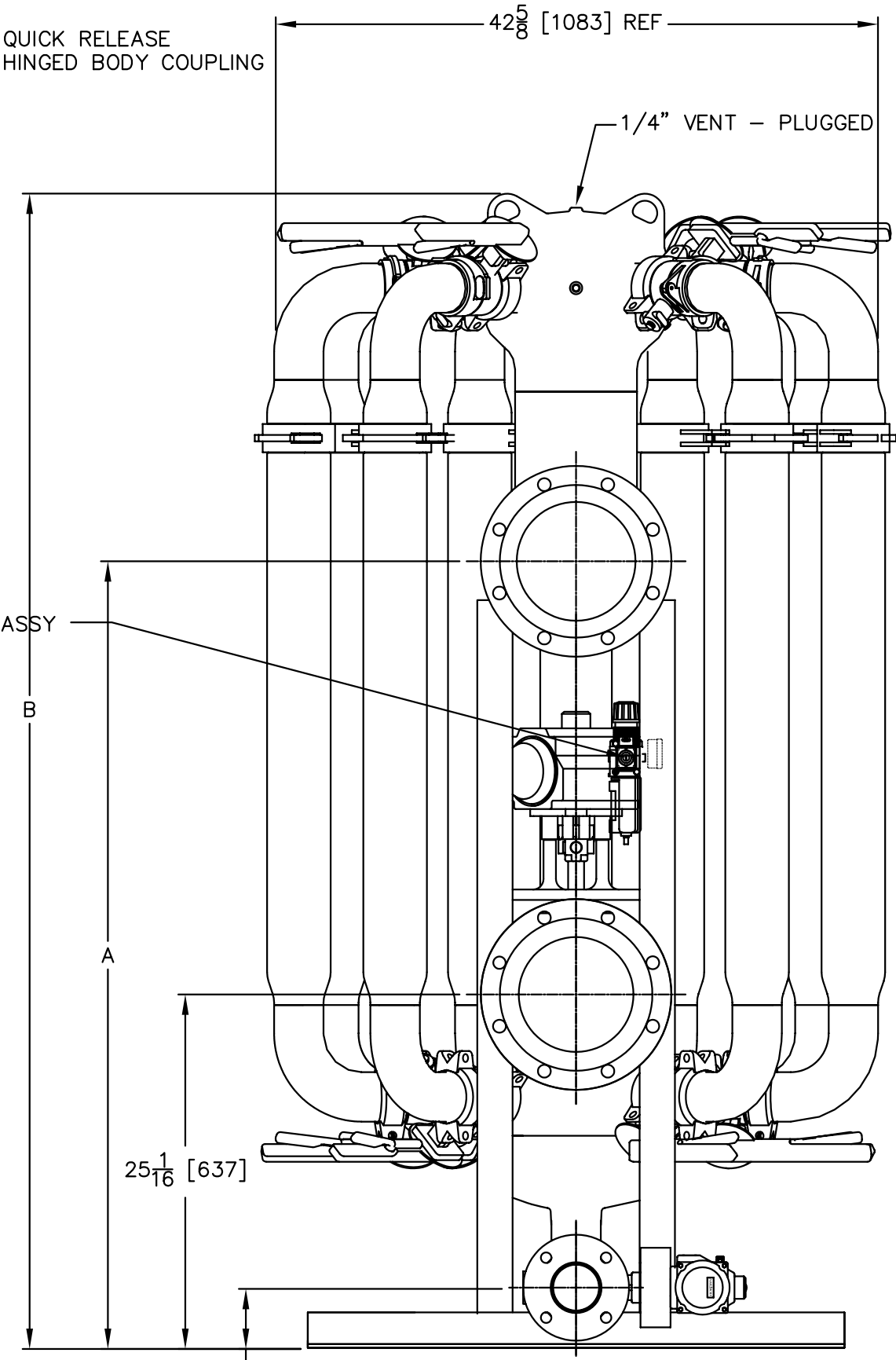


ALLEN-BRADLEY CONTROL PANEL COVER



SEMI-AUTO CONTROL PANEL COVER

SIEMENS CONTROL PANEL COVER SHOWN



GENERAL DIMENSIONS		
DIMENSION	4" BODIES	6" BODIES
A	55 3/4	59 3/4
B	81 3/4	85 3/4

- NOTES:
- PIPING CONNECTIONS:
INLET/OUTLET ARE 8" ANSI CLASS 150#, RAISED FACE LAP-JOINT FLANGES.
DRAIN IS 3" ANSI CLASS 150#, RAISED FACE LAP-JOINT FLANGES.
DIN ND16 STYLE FLANGES ALSO AVAILABLE.
 - VALVE:
2-WAY BUTTERFLY IS SUPPLIED FOR DRAIN SHUTOFF.
 - GAUGES:
0-300 PSID (0-20 BAR) RED LINED AT 250 PSI (17 BAR).
 - AUTOMATION:
PROGRAMMABLE LOGIC CONTROLLER INITIATES BACKWASH CYCLE.
 - MAXIMUM ALLOWABLE WORKING PRESSURE:
250 PSIG (17 BAR) FOR STANDARD UNITS (4" OR 6")
200 PSIG (14 BAR) FOR 4" BODY UNITS EQUIPPED WITH HINGELOK COUPLINGS
150 PSIG (10 BAR) FOR 6" BODY UNITS EQUIPPED WITH HINGELOK COUPLINGS
 - MAXIMUM TEMPERATURE:
300°F (149°C).
 - AIR REQUIREMENTS:
60 PSI (4 BAR) MIN., 120 PSI (8 BAR) MAX. AT 5.0 CFM (140 DM³/M)
CLEAN, DRY, NON-LUBRICATED AIR.

EATON		EATON FILTRATION, LLC RONNINGEN-PETTER PRODUCTS 9151 SHAVER ROAD PORTAGE, MICHIGAN 49024-6798 USA		THIS DRAWING AND ALL INFORMATION THEREON IS THE PROPERTY OF EATON CORPORATION. IT IS CONFIDENTIAL AND MUST NOT BE MADE PUBLIC. THIS DRAWING IS LOANED SUBJECT TO RETURN ON DEMAND, AND IS NOT TO BE USED DIRECTLY OR INDIRECTLY, IN ANY WAY DETRIMENTAL TO THE INTERESTS OF EATON FILTRATION, LLC.	
ENGINEERING APPROVAL	DRAWN BY B. STUCK	TITLE AFR INTERNAL BACKWASHING UNIT WITH ISOLATION VALVES AND HINGELOKS			
SALES/MKTG APPROVAL	SCALE NONE	DATE 05/19/05	SIZE C	DWG FILENAME AFR-3300-IB-GA003	REV B
	ENGINEERING SPECIFICATION				