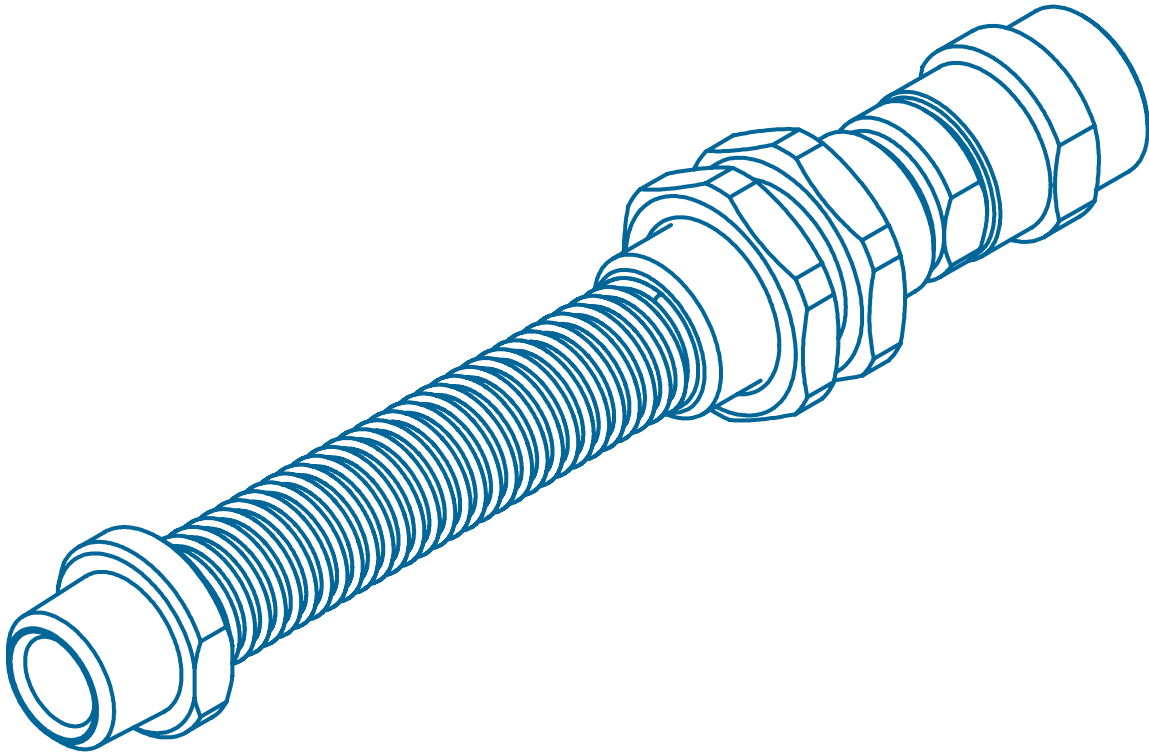
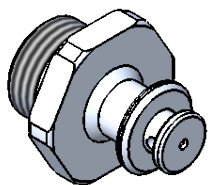


CUP ACCESSORIES

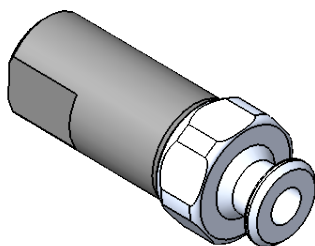
SECTION 4



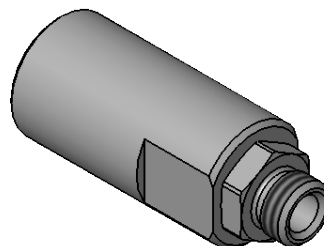
VACUUM CUP ACCESSORIES



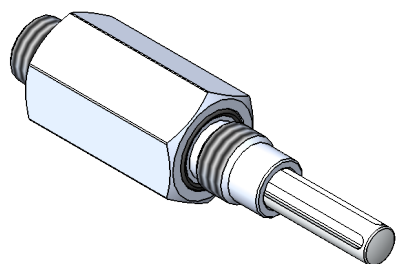
Dual-Flow Valves



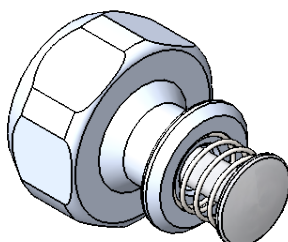
Tri-Flow Valves



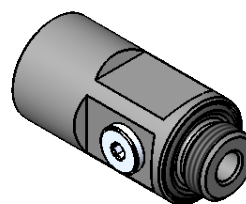
Flow-Sensor-Valves



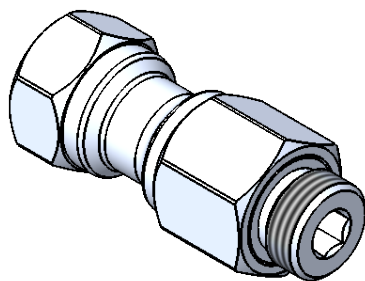
Mechanical Valves



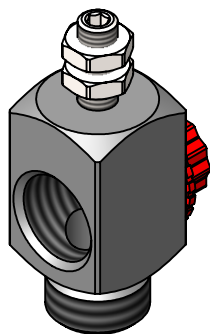
Cone Valves



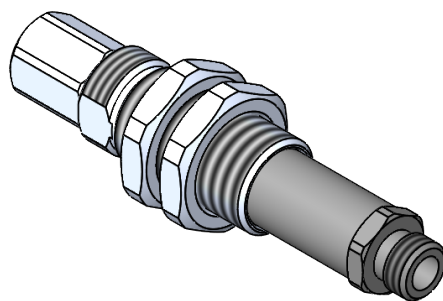
Vacuum Check Valves



Swivel Joints



Tee Adapters



Level Compensators

Dual-Flow Valves	3
Tri-Flow Valves	4
Flow Sensor Valves	5
Mechanical Valves	9
Cone Valves	10
Vacuum Check Valves	11
Swivel Joints	14
Tee Adapters	15
Level Compensators	17

DUAL-FLOW VALVES

Dual-Flow Valves limit vacuum leakage in a system where some of the vacuum cups may not be in sealing contact with the work piece. Since vacuum flow is limited by a small orifice, Dual-Flow Valves are only recommended for non-porous parts or for slightly porous, light-weight parts.

There are two main ways to apply Dual-Flow Valves. The first is to bring Dual-Flow Valve equipped vacuum cups into contact with the work piece and then turn on the vacuum source. Non-sealing cups will leak and cause the associated Dual-Flow Valves to close to orifice flow only.

The second way is to turn on the vacuum source to close all Dual-Flow Valves before the vacuum cups contact the work piece and then allow the Dual-Flow Valve orifice flow to establish vacuum within the cups once contact is made.

In either case, part release is accomplished by removing the vacuum source and allow atmospheric air to open the Dual-Flow Valves. For a faster cycle time, use a blow-off pulse of compressed air to break the vacuum and release the part more quickly.

Ø 20-35 MM CUPS

Dual-Flow Fitting	Assembly Suffix	Weight oz [g]	Flow @ 18 inHg [81 kPa] SCFM [NL/m]	Connection Threads
32-18FDF	-18FDF	0.13 [3.7]	0.20 [5.7]	G 1/8 NPS (F)
32-18MDF	-18MDF	0.13 [3.7]	0.20 [5.7]	G 1/8 NPS (M)
32-14MDF	-14MDF	0.19 [5.4]	0.20 [5.7]	1/4 NPT (M)
32-G14FDF	-G14FDF	0.27 [7.7]	0.20 [5.7]	G 1/4 (F)
32-G14MDF	-G14MDF	0.17 [4.8]	0.20 [5.7]	G 1/4 (M)
32-5X5FDF	-5X5FDF	0.9 [5.4]	0.20 [5.7]	M5X0.8 (F)
32-5X18FDF	-5X18FDF	1.01 [28.6]	0.20 [5.7]	G 1/8 NPS (F)

Ø 40 MM CUPS

Dual-Flow Fitting	Assembly Suffix	Weight oz [g]	Flow @ 18 inHg [81 kPa] SCFM [NL/m]	Connection Threads
40-18FDF	-18FDF	0.22 [6.2]	0.50 [14.2]	G 1/8 NPS (F)
40-18MDF	-18MDF	0.22 [6.2]	0.50 [14.2]	G 1/8 NPS (M)
40-14MDF	-14MDF	0.23 [6.5]	0.50 [14.2]	1/4 NPT (M)
40-38FDF	-38FDF	0.47 [13.3]	0.50 [14.2]	3/8 NPT (F)
40-38MDF	-38MDF	0.29 [8.2]	0.50 [14.2]	3/8 NPSF (F)
40-G14FDF	-G14FDF	0.27 [7.7]	0.50 [14.2]	G 1/4 (F)
40-G14MDF	-G14MDF	0.23 [6.5]	0.50 [14.2]	G 1/4 (M)
40-G38MDF	-G38MDF	0.29 [8.2]	0.50 [14.2]	G 3/8 (M)
40-5X5FDF	-5X5FDF	0.33 [9.4]	0.50 [14.2]	M5X0.8 (F)
40-5X18FDF	-5X18FDF	1.01 [28.6]	0.50 [14.2]	G 1/8 NPS (F)

Ø 50 MM CUPS

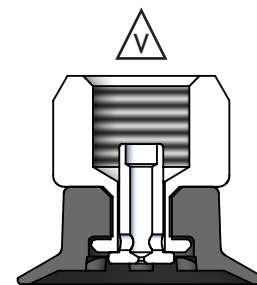
Dual-Flow Fitting	Assembly Suffix	Weight oz [g]	Flow @ 18 inHg [81 kPa] SCFM [NL/m]	Connection Threads
50-18FDF	-18FDF	0.25 [7.1]	0.60 [17.0]	G 1/8 NPS (F)
50-18MDF	-18MDF	0.20 [5.7]	0.60 [17.0]	G 1/8 NPS (M)
50-14MDF	-14MDF	0.25 [7.1]	0.60 [17.0]	1/4 NPT (M)
50-38FDF	-38FDF	0.51 [14.5]	0.60 [17.0]	3/8 NPT (F)
50-38MDF	-38MDF	0.34 [9.6]	0.60 [17.0]	3/8 NPSF (F)
50-G14FDF	-G14FDF	0.39 [11.1]	0.60 [17.0]	G 1/4 (F)
50-G14MDF	-G14MDF	0.28 [7.9]	0.60 [17.0]	G 1/4 (M)
50-G38MDF	-G38MDF	0.34 [9.6]	0.60 [17.0]	G 3/8 (M)
50-5X5FDF	-5X5FDF	0.36 [10.2]	0.60 [17.0]	M5X0.8 (F)
50-5X18FDF	-5X18FDF	1.01 [28.6]	0.60 [17.0]	G 1/8 NPS (F)

Sizing a Vacuum Pump

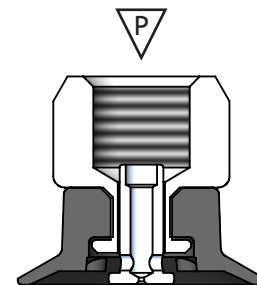
Using the tables, determine the orifice flow at your system's maximum vacuum operating level. Multiply this by the maximum number of non-sealing cups in the system. Select a pump that will give this total flow-rate at the system vacuum level with an additional factor of safety.

Caution

If Dual-Flow Valves are used with a heavy porous part, the part may be dropped suddenly due to porosity flow through the part being greater than the available orifice flow. This can occur even if there is excess vacuum pump capacity. For this type of system, use Flow Sensor Valves.



Orifice Flow



Reverse Flow

TRI-FLOW VALVES

Tri-Flow Valves limit vacuum leakage in a system where some of the vacuum cups may not be in sealing contact with the work piece.

Tri-Flow Valves are a cross between Flow Sensor Valves and Dual-Flow Valves because they are fully open until the Flow Sensor section closes at the factory preset vacuum flow-rate, then a bypass orifice meters vacuum flow to limit leakage to a manageable rate. Part release is accomplished by removing the vacuum source and admitting atmospheric air which will also reset any closed Tri-Flow Valves to the open position. For a faster cycle time, use a blow-off pulse of compressed air to break the vacuum and release the part more quickly.

Tri-Flow Valves can handle greater porosity flow than Dual-Flow Valves due to the fact that they're initially held open. Another advantage is the Tri-Flow metering orifice is protected by an integral filter for greater tolerance for contamination.

The normal way to set up a vacuum system using Tri-Flow Valve equipped vacuum cups is to bring them into contact with the work piece and then turn on the vacuum source. Non-sealing cups will leak and cause the associated Tri-Flow Valves to close to orifice flow only. Tri-Flow Valves on cups in sealing contact with the work piece will remain fully open to handle higher porosity flow-rates (normal leakage through the part) then Dual-Flow Valves can.

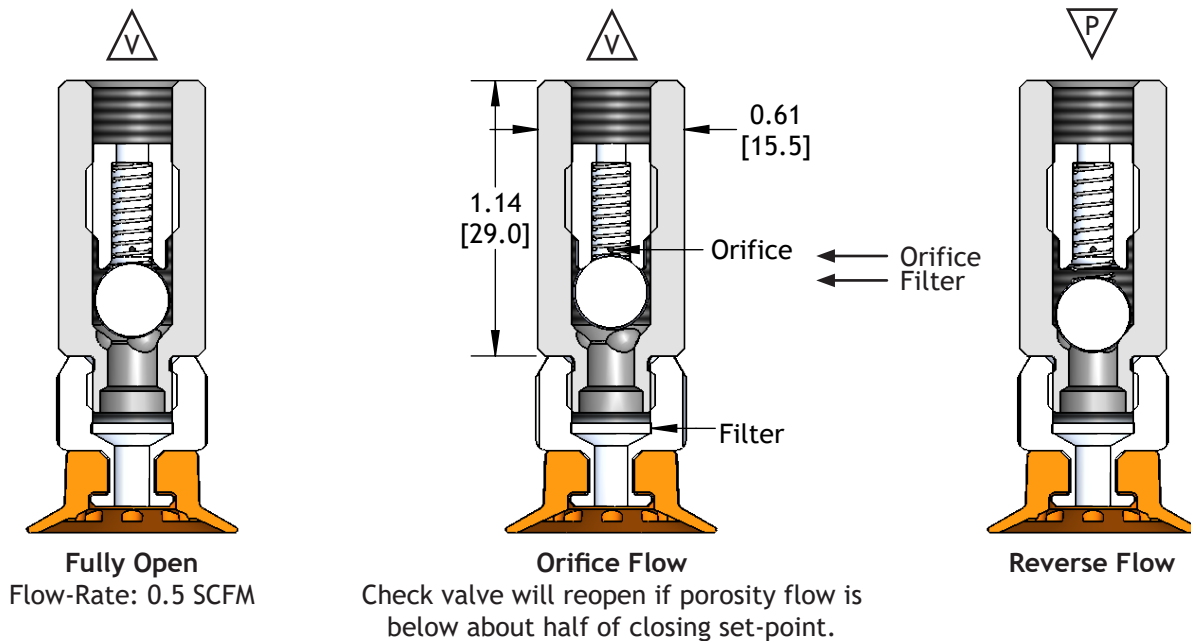
For a system handling non-porous parts, operation can be as described above or the vacuum source may be turned on before the vacuum cups are in sealing contact with the work piece. Tri-Flow Valves will reset to fully open. This feature is also convenient for use in vacuum holding fixtures. This capability is the only advantage that Tri-Flow Valves have over Flow Sensor Valves.

For mid to high porosity parts, we recommend using Flow Sensor Valves where the closing set point can be adjusted to suit the application.

To order a cup assembled with a Tri-Flow Valve, add suffix -18TFT to the part number.

Example: XP-B50N-18TFT

To order for use in-line, order T18F-XX. (Specify flow.)



Tri-Flow Valve In-line	Weight oz [g]	Connection Threads	Tri-Flow Valve w/ Cup Fitting	Weight oz [g]	Flow @ 18 inHg	Closing Flow
TF18F-0.4	0.43 [12.2]	G 1/8 NPSF	32-18FTF	0.55 [15.7]	0.2 SCFM	0.4 SCFM
TF18F-0.5	0.43 [12.2]	G 1/8 NPSF	40-18FTF	0.63 [17.2]	0.4 SCFM	0.5 SCFM
TF18F-0.6	0.43 [12.2]	G 1/8 NPSF	50-18FTF	0.66 [18.8]	0.5 SCFM	0.6 SCFM

FLOW SENSOR VALVES - PATENTED

Flow Sensor Valves (FSV) are normally open valves that snap closed when the factory preset flow-rate is exceeded. Our FSV is insensitive to acceleration forces and may be used in any physical orientation. System vacuum level has no effect on the FSV set-point. However, higher system vacuum levels will cause greater flow-rates through a porous work piece.

Flow Sensor Valves eliminate the problem of vacuum loss through non-working standard cups or through valved cups overhanging the work piece edge. These are especially useful where work piece size and orientation will vary. For maximum effectiveness, each vacuum cup in the system should be equipped with a Flow Sensor Valve.

Flow Sensor Valves may be manifold or located in-line rather than at the vacuum cup. Piping integrity is important since the FSV will sense a fitting leak as easily as a leakage at a vacuum cup. Wherever installed, a suitable filter must be used upstream of the FSV. When used with EDCO fittings, a filter screen nests inside the fitting bore.

The optimum flow-rate set-point is best determined by testing the porosity of sample work pieces with a flow meter using the same vacuum cup size and style as will be used in the actual system. Porosity of items such as corrugated board can vary greatly from lot to lot so it is important to find the most porous part to be handled by the system.

A factor of safety must be added to the highest porosity test value to allow for variations in work piece porosity, system vacuum level, increased leakage due to wear, and other factors. For porous work pieces such as paper or corrugated cases, the factor of safety should probably be in the 50% range. For non-porous work pieces such as plastic or metal, the factor of safety may be reduced.

It is necessary to size the vacuum pump to have enough capacity to close all Flow Sensor Valves where cups are not sealed against a work piece plus the total "porosity" flow through the sealed cups. EDCO air powered multi-stage vacuum pumps are ideally suited since they produce large vacuum flow-rates at low vacuum levels (0-10 inHG) and can provide the flow necessary to close a large number of Flow Sensor Valves.

When used with large, bellows style vacuum cups, the cup should be pressed against the work piece to collapse the bellows before turning on the vacuum. This prevents accidentally activating the FSV by the high, instantaneous flow-rate caused by the bellows collapsing under the vacuum.

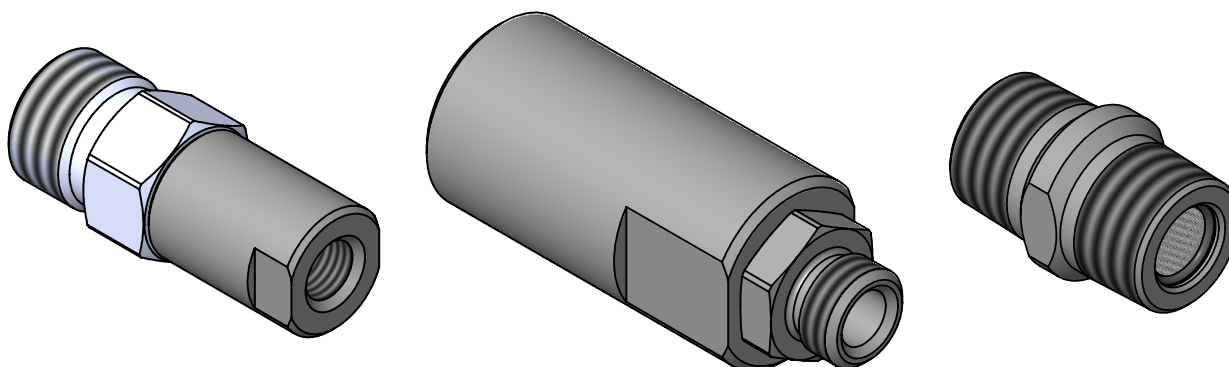
The FSV will automatically reset when the vacuum is turned off for a short period of time. If desired, a pressure pulse can be used to back flow the FSV to clean off the inlet filter. This blow-off pulse will reset the FSV and will quickly release the work piece.

The FSVM version includes a monitor port where a vacuum sensor can be used to monitor whether the FSV is open or closed.

The FSV-12 is a larger 1/2" NPT version that is for use with large vacuum cups but is functionally the same as the FSV-18.

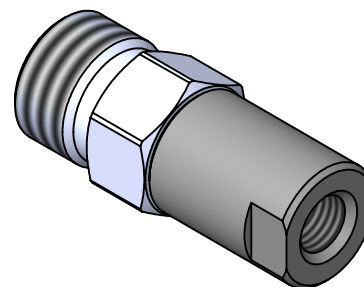
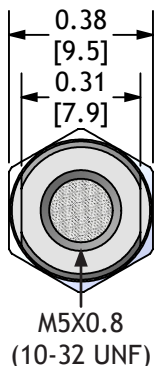
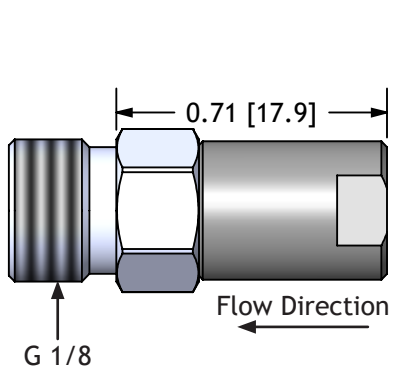
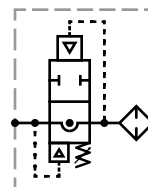
The FSV-10 is for use with 15 mm and smaller vacuum cups but is functionally the same as the FSV-18.

Note: Flow Sensor Valves are calibrated using a flow meter. Field adjustment is not practical or suggested.

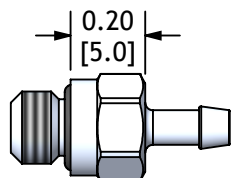


FSV-10

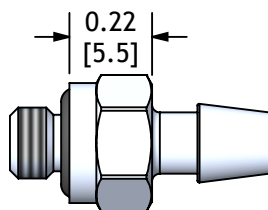
	Set Point ¹	Connection Type	
FSV-10-	0.1		
	0.1 - 0.6 SCFM	(Blank)	None - M5X0.8 Female
	0.1 Increments	-8	4-8 mm Cup Size
		-10	10-15 mm Cup Size
-32MS		25-35 mm Cup Size	



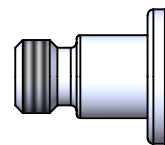
Weight: 0.16 oz [4.4 g]



Ø 4-8 mm Cup Size
8-10M Cup Fitting



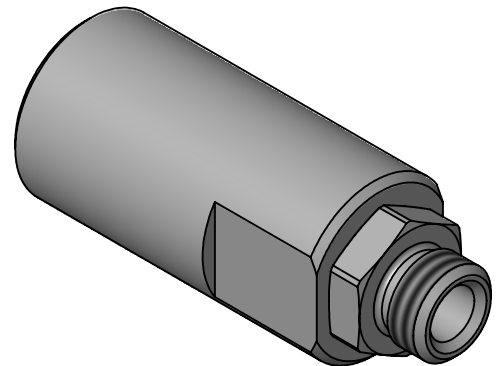
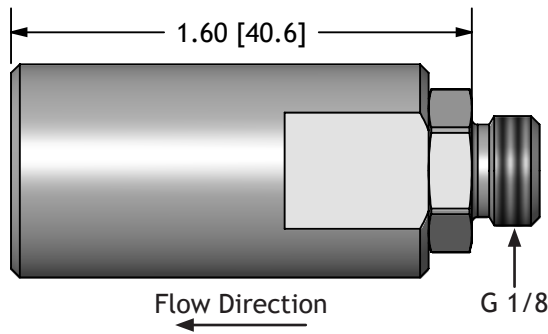
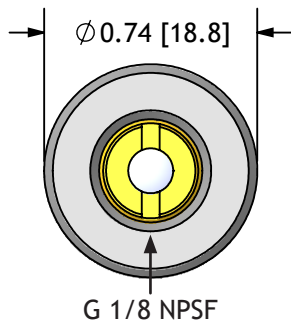
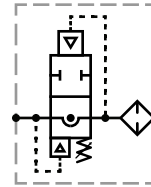
Ø 10-15 mm Cup Size
10-10M Cup Fitting



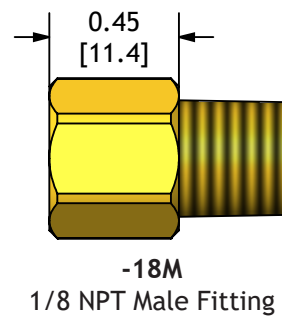
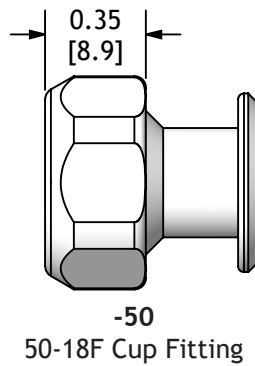
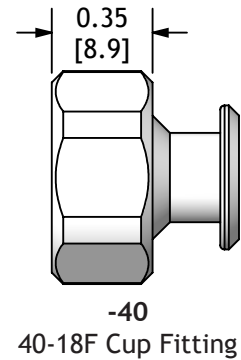
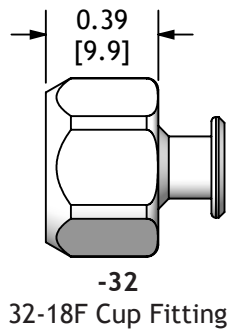
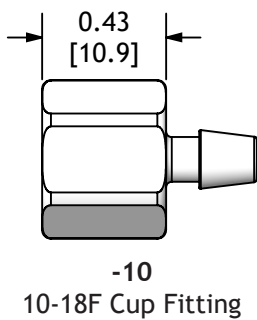
Ø 25-35 mm Cup Size
32-10MS Cup Fitting

FSV-18

	Set Point ¹	Connection Type
FSV-18-	0.3	
	0.3 - 2.3 SCFM	(Blank) None - M5X0.8 Female
	'0.1 Increments	-18M 1/8 NPT Male
		-10 10-15 mm Cup Size
		-32 25-35 mm Cup Size
		-40 40 mm Cup Size
		-50 50 mm Cup Size



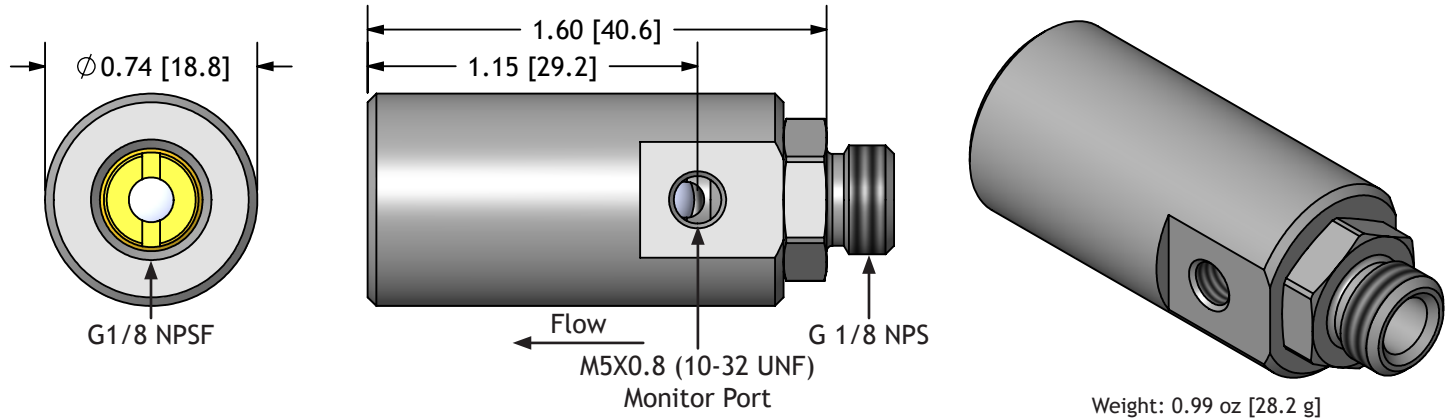
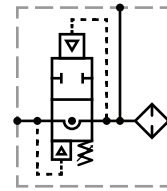
Weight: 0.99 oz [28.2 g]



FSVM-18

Flow Sensor Valve withing monitor port.

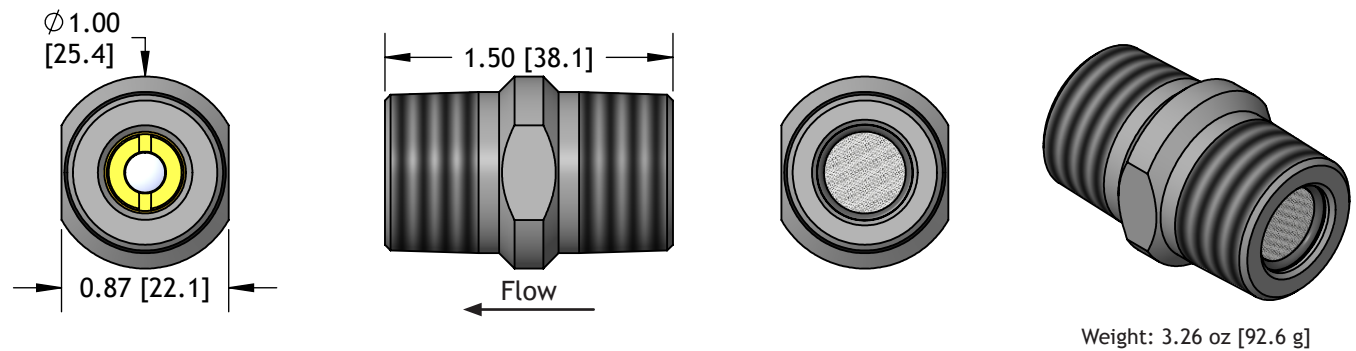
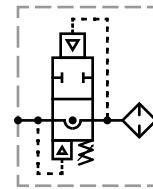
	Set Point ¹	Connection Type	
FSVM-18-	0.3	-18M	
	0.3 - 2.3 SCFM	(Blank)	None - M5X0.8 Female
	¹ 0.1 Increments	-18M	1/8 NPT Male
		-10	10-15 mm Cup Size
		-32	25-35 mm Cup Size
		-40	40 mm Cup Size
		-50	50 mm Cup Size



FSV-12

Basic Flow Sensor Valve - 1/2 NPT

	Set Point ¹
FSV-12-	0.5
	0.5 - 6.0 SCFM
	¹ 0.1 Increments



MECHANICAL VALVES

Mechanical valves are used with a vacuum cup in systems having a central vacuum pump and an array of vacuum cups to pick up a family of workpieces that vary by known values of width or length. Mechanical valves are used to seal off cups that are not directly over a workpiece to limit leakage into the vacuum system since these cups are not sealing. If the workpiece edge positions vary randomly, a mechanical valve could be opened by the workpiece but with a portion of the vacuum cup overhanging the edge causing leaking which would defeat the purpose of using mechanical valves.

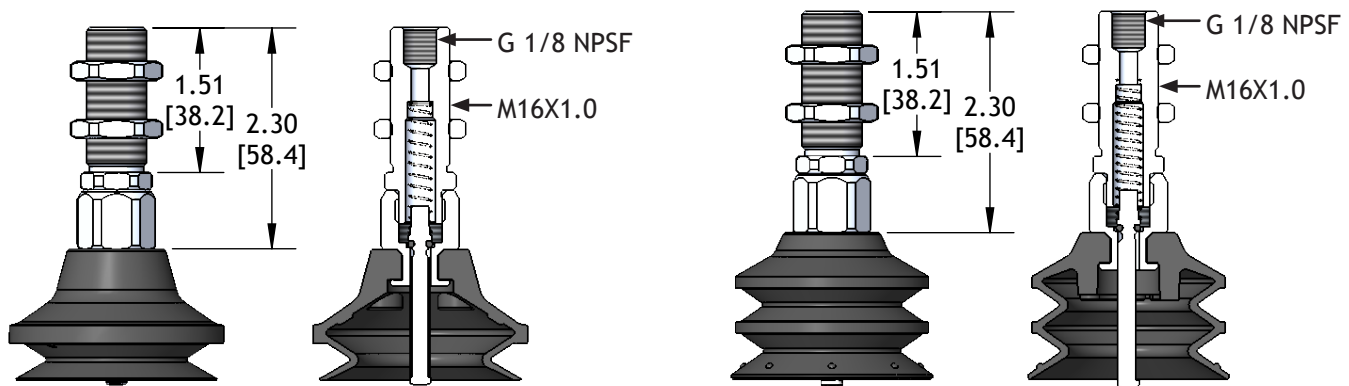
Mechanical valves are closed until the valve stem contacts a workpiece to open the valve and admit vacuum to the vacuum cup to allow gripping the workpiece. Since mechanical valves are mechanically operated by contact with a workpiece, there is a possibility for the valve stem to leave a mark if there is any relative movement. It is good practice to avoid using mechanical valves for delicate or highly polished surfaces and to make sure that vacuum cup movement is perpendicular to the workpiece surface.

MV-B50 & MV-2B50

To order full assembly with vacuum cup:

Cup Size		Cup Material	
XP-	B50	N	-16X40MV
B50	XP-B50	A	Ameriflex ¹
2B50	XP-2B50	D	Duramax ¹
		N	Nitrile
		S	Silicone
		V	Viton

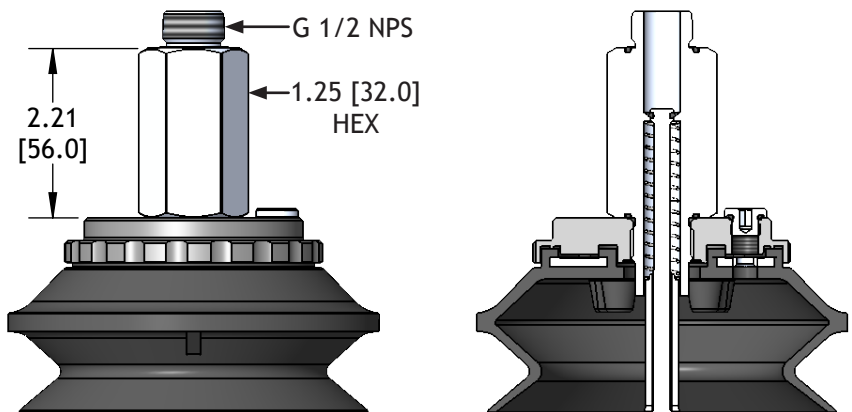
¹Not available on 2B50.



MV-B110

To order full assembly with vacuum cup:

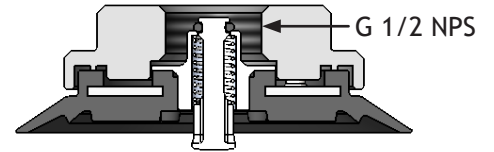
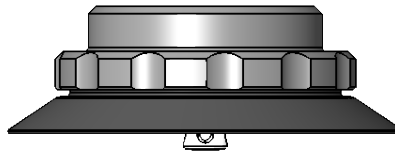
Cup Material	
XP-B110	N -12F-MV
N	Nitrile
S	Silicone
V	Viton



MV-F75

To order full assembly with vacuum cup:

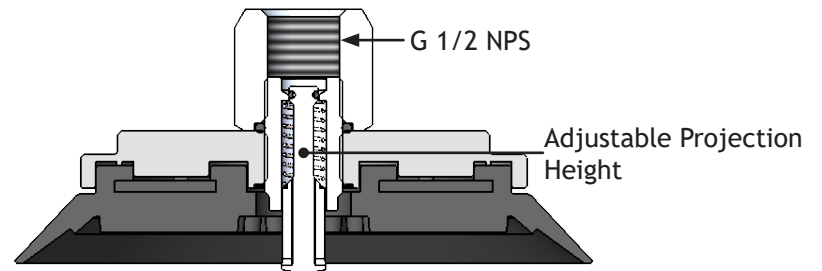
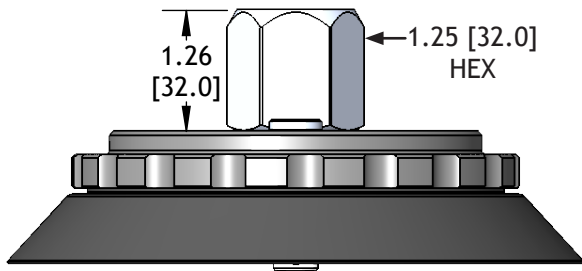
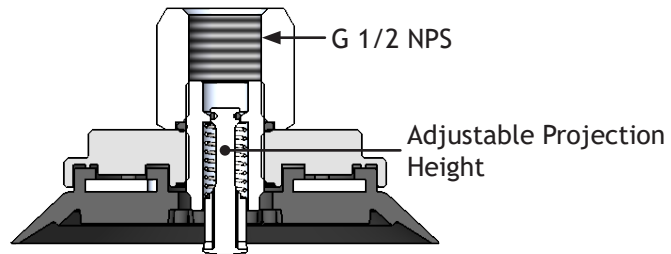
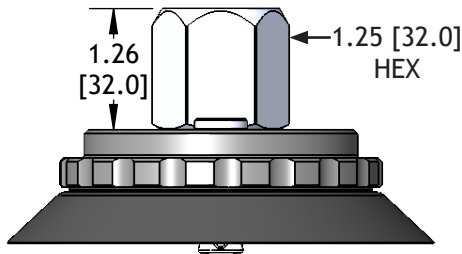
Cup Material		
XP-F75	N	-12F-MV
N	Nitrile	
S	Silicone	
V	Viton	



MV-F110 & MV-F150

To order full assembly with vacuum cup:

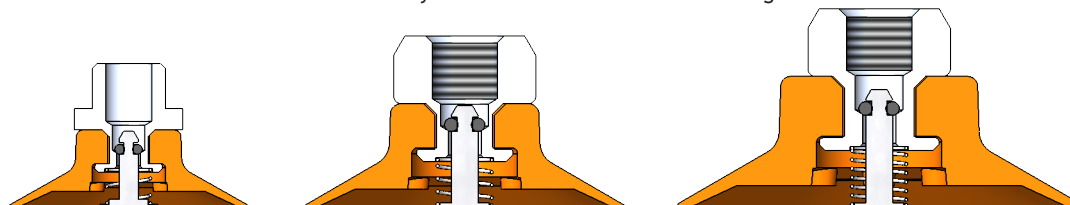
Cup Size		Cup Material		
XP-	F110	N	Nitrile	-12F-MV
F110	XP-F110	N	Nitrile	
F150	XP-F150	S	Silicone	
		V	Viton	



LOW-PROFILE CONE VALVES W/ VACUUM CUPS

Cup Size	Cup Material ¹	Cup Fitting
XP-F 50	A	18M
30	Ø 30 mm	A Ameriflex
40	Ø 40 mm	D Duramax
50	Ø 50 mm	N Nitrile
		S Silicone
		V Viton
		18M G 1/8 NPSF Male
		30 mm Cup Only
		18F G 1/8 NPSF Female
		40 & 50 mm Cup Only

¹All cups are available in Nitrile and Silicone. Check availability for other materials before ordering.



VACUUM CHECK VALVES

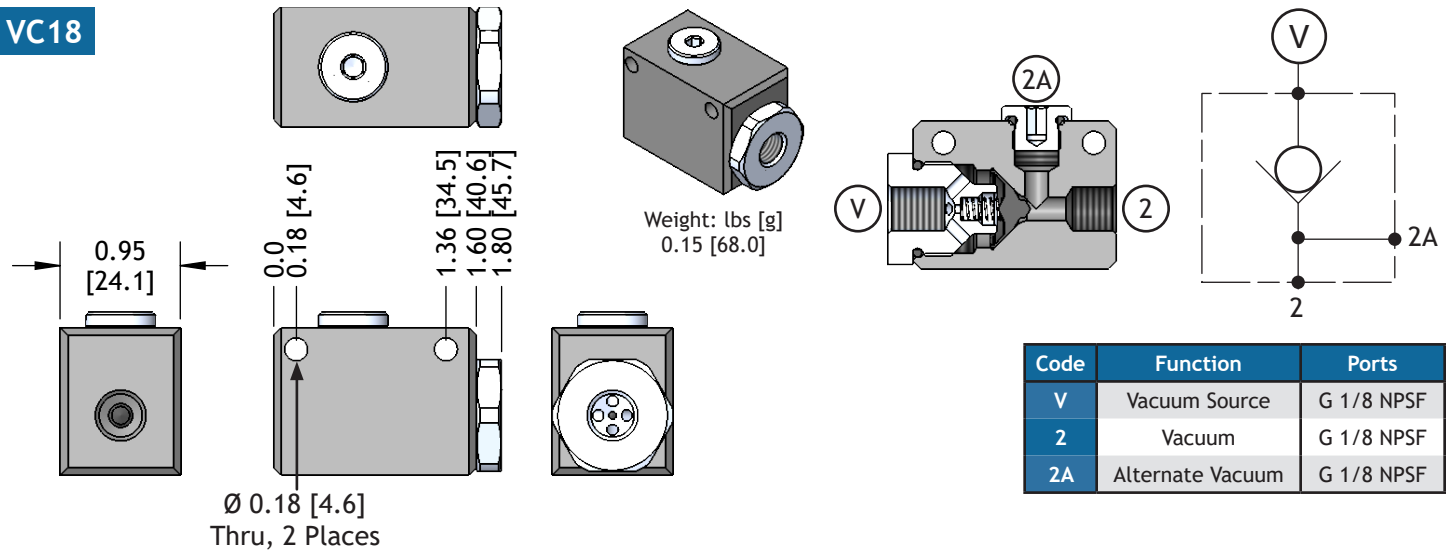
The Vacuum Check valve is designed to prevent the reverse flow of ambient air into a vacuum system. Vacuum Check valves are used to hold vacuum downstream whenever the vacuum source is removed or lost. Internally, a normally closed valve allows vacuum flow in the pump direction but seals off when vacuum flow ceases. When a Vacuum Check valve is used in a system, some provision must be made to release the trapped vacuum in order to release the work piece. The RC18 and RC18-040 Release Check valves are designed for this purpose.

One application for the Vacuum Check valve is for energy saver circuits using a vacuum storage tank to accumulate and store vacuum for high-volume, short duration flow rate requirements.

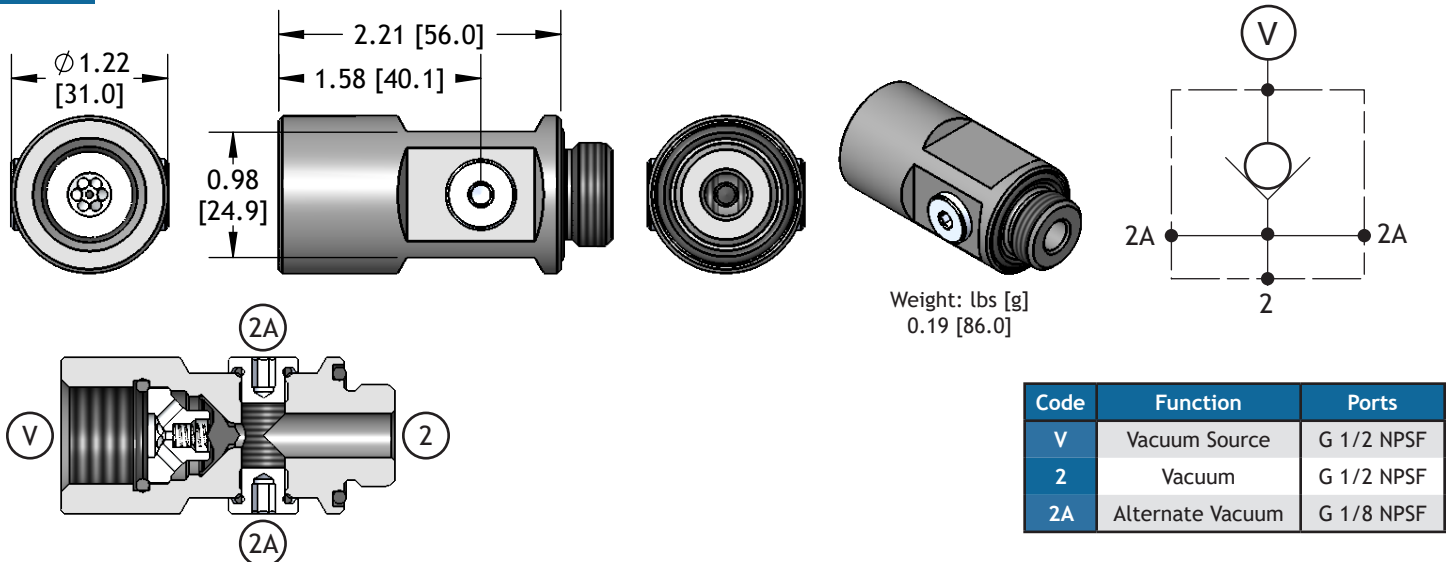
More commonly, a Vacuum Check valve with Release Check valve would be used with a single suction cup so a non-porous, high-value work piece would not be immediately dropped if the system vacuum source is lost. The vacuum trapped by the Vacuum Check valve will eventually leak down. The rate at which the vacuum diminishes will depend on the condition of all the components in the vacuum system. To increase the time delay interval, a volume chamber can be added to the auxiliary port. If the volume chamber is equal to twice the cup internal volume, the time delay interval will be approximately tripled, and so forth.

The VC18 should be used with cup diameters of 50 MM and smaller. The VC12 should be used with cup diameters of 75 MM and larger that are available with G1/2 NPS female fittings.

VC18



VC12



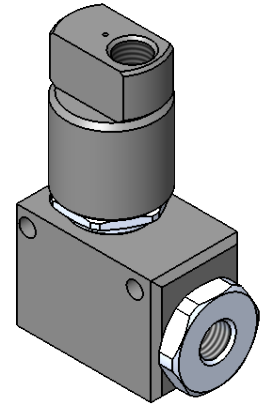
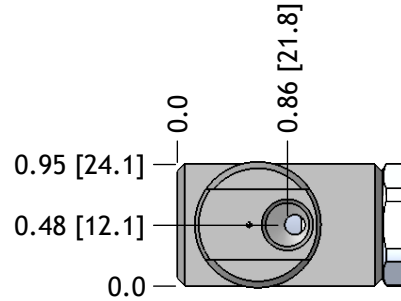
VACUUM CHECK VALVES W/ RELEASE CHECK VALVES

The vacuum check valve with release check valve is used with a single vacuum cup so a non-porous, high value work piece won't be immediately dropped if the system vacuum source is lost. The vacuum trapped by the vacuum check valve will eventually leak down. The rate at which the vacuum diminishes will depend on the condition of all of the components in the vacuum system.

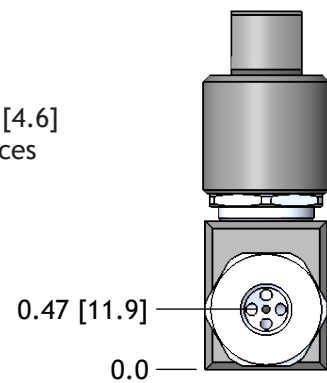
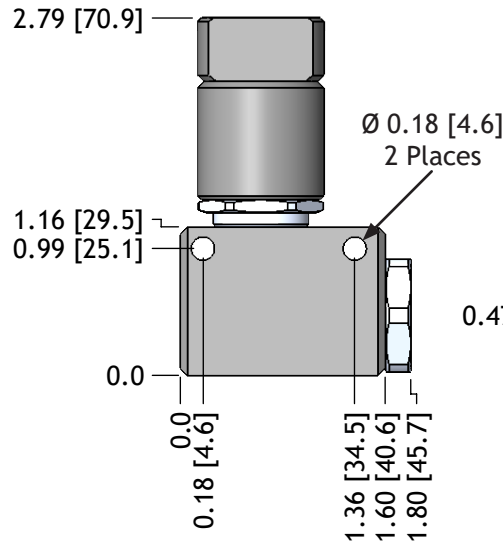
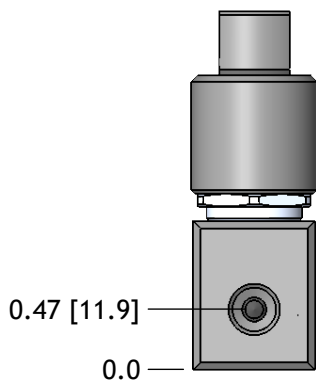
To increase the time delay interval, a volume chamber can be added to the auxiliary port. If the volume of the chamber is twice that of the internal cup volume, the time delay interval will be approximately tripled and so forth.

See previous pages about release check valves for more information.

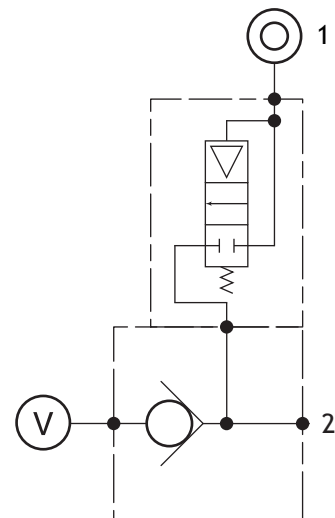
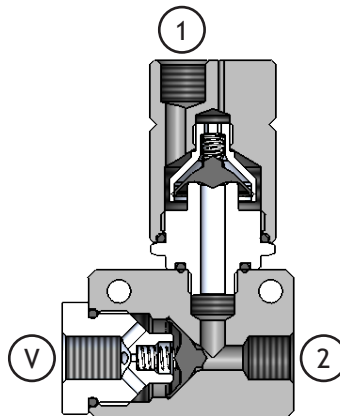
Release Check Valve	
VC18-	RCA
RCA	RC18A
RC040A	RC18-040A



Weight: lbs [g]
0.28 [126.0]

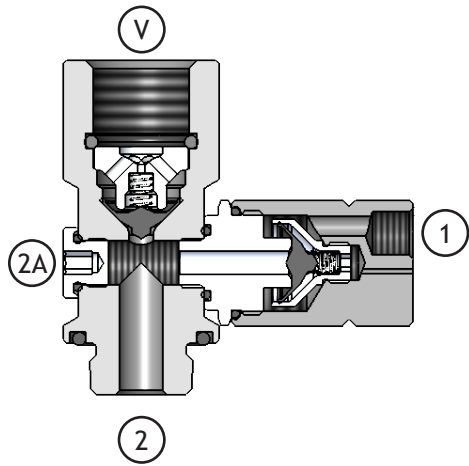
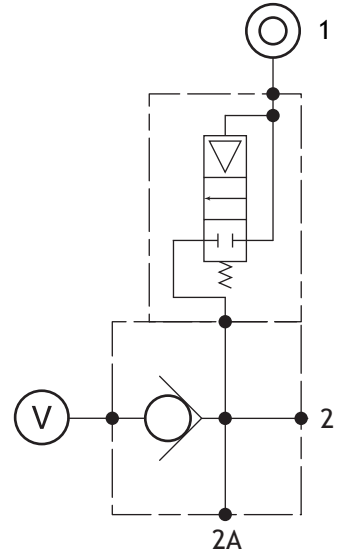
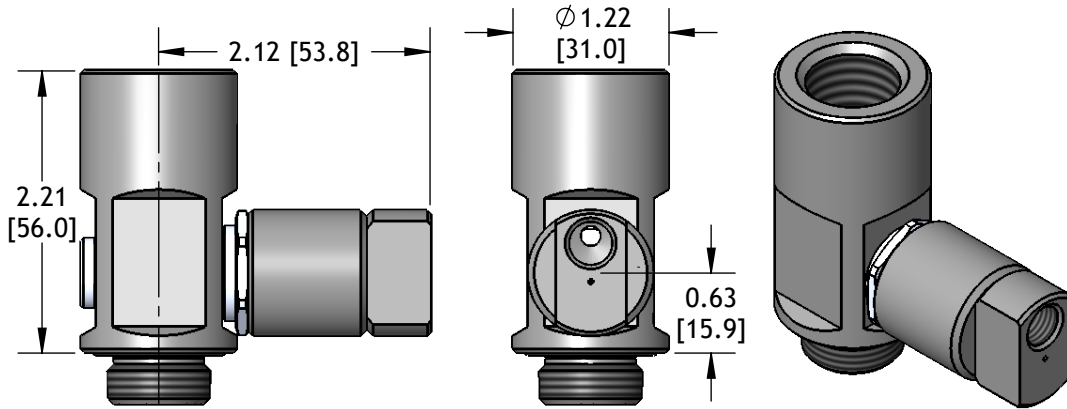


Code	Function	Ports
1	Blow-Off Air Pulse	G 1/8 NPSF
V	Vacuum Source	G 1/8 NPSF
2	Vacuum	G 1/8 NPSF



VACUUM CHECK VALVES W/ RELEASE CHECK VALVES

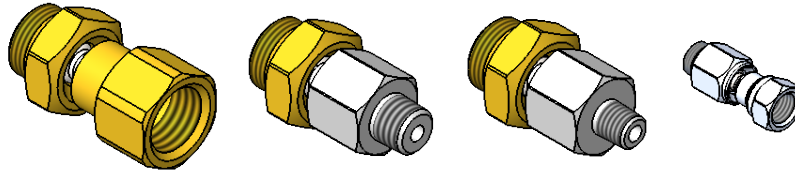
Release Check Valve	
VC12-	RCA
RCA	RC18A
RC040A	RC18-040A



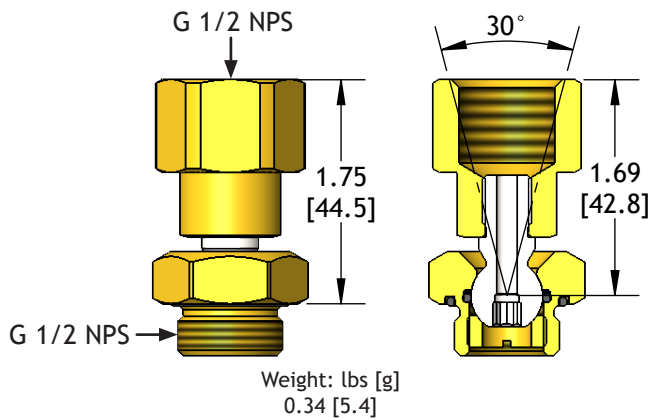
Code	Function	Ports
V	Vacuum Source	G 1/2 NPSF
1	Blow-Off Air Pulse	G 1/8 NPSF
2	Vacuum	G 1/2 NPSF
2A	Alternate Vacuum	G 1/8 NPSF

SWIVEL JOINTS

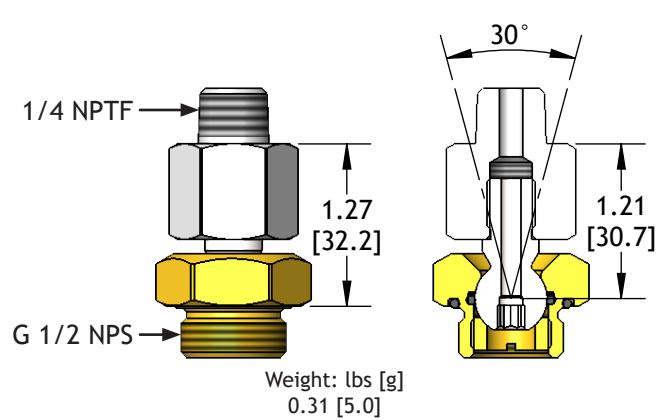
Swivel joints are recommended for applications where a vacuum cup is used to lift rounded or rotating products. Our swivel joints use a brass body, stainless steel shaft, and Nitrile seals. We offer a range of sizes and connections while each swivel joint operates in the same way. A coaxial connection between the vacuum source and vacuum cup are given 30 degrees of total movement while also being free to rotate on its axis.



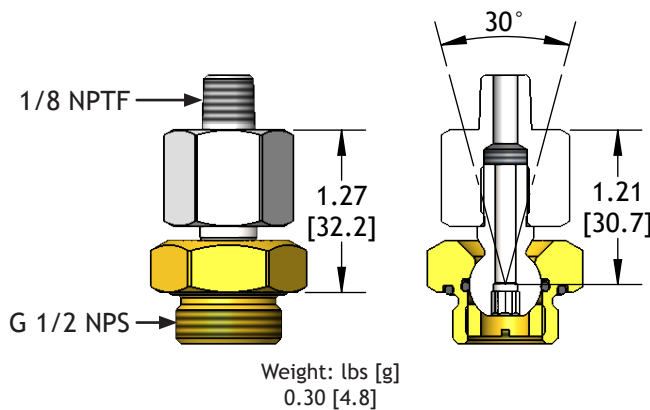
SJ12



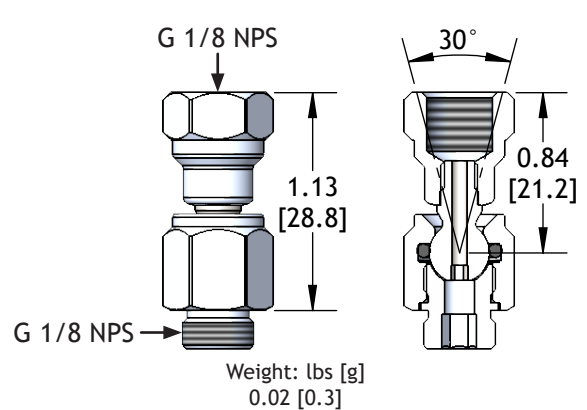
SJ12-14M



SJ12-18M



SJ18

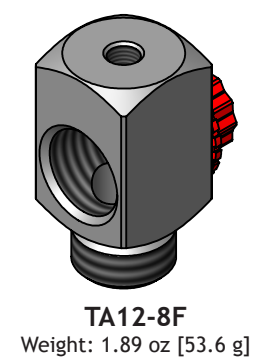
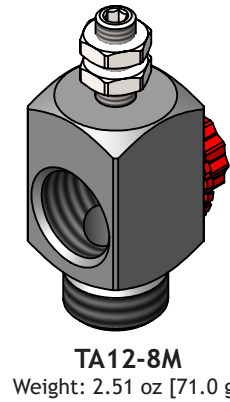
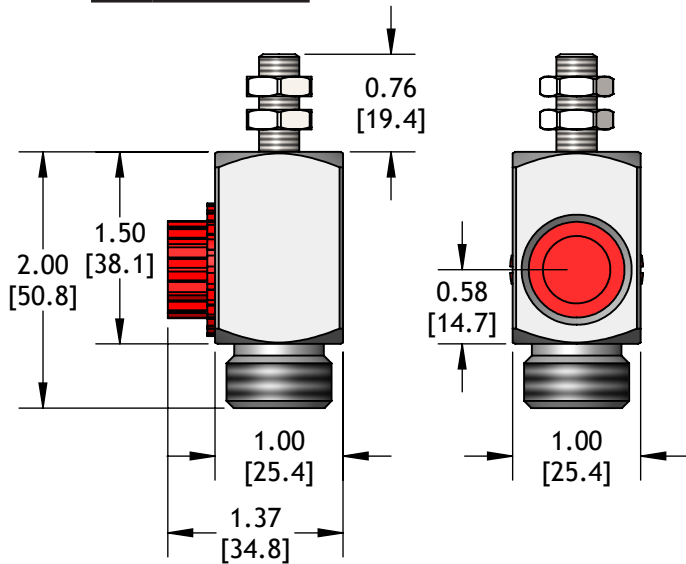


TEE ADAPTERS

Tee adapters can be used in a similar way as side vacuum port vacuum cup fittings. The provided plug allows the tee adapter to be used as an angle adapter. Tee adapters can also be used to daisy chain vacuum tubing from one cup to the next. By simply removing the plug, tubing can be daisy chained from a vacuum source to several vacuum cups.

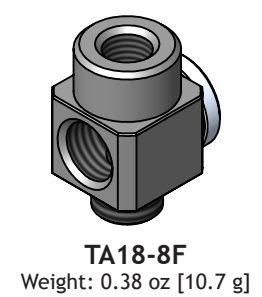
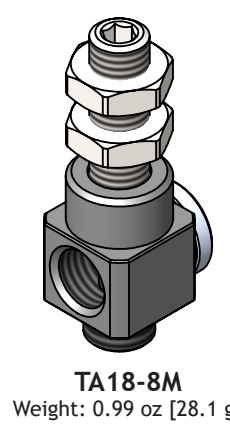
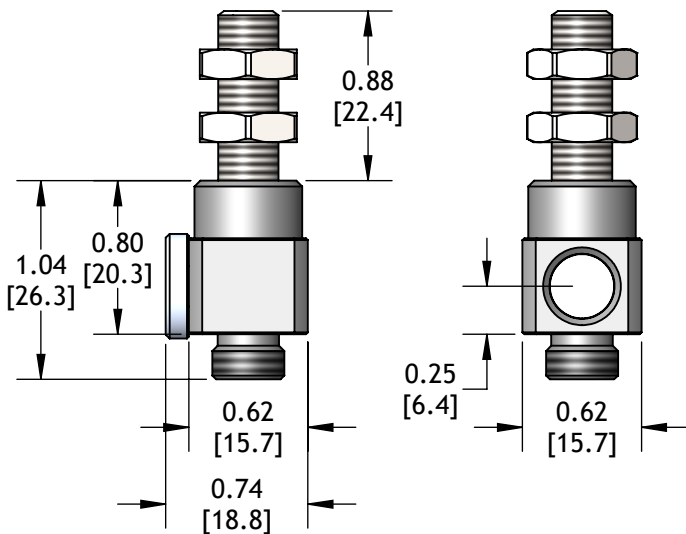
TA12: G 1/2 NPS

Connection Type	
TA12-	8M
8F	M8 Female
8M	M8 Male Post



TA18: G 1/8 NPSF

Connection Type	
TA18-	8M
8F	M8 Female
8M	M8 Male Post



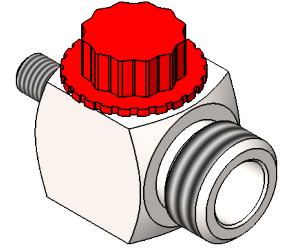
TEE ADAPTERS (OLD STYLE)

Tee adapters can be used in a similar way as side vacuum port vacuum cup fittings. A post is used for mounting while connecting ports run perpendicular to the vacuum cup connection. The provided plug allows the tee adapter to be used as an angle adapter. Tee adapters can also be used to daisy chain vacuum tubing from one cup to the next. By simply removing the plug, tubing can be daisy chained from a vacuum source to several vacuum cups.

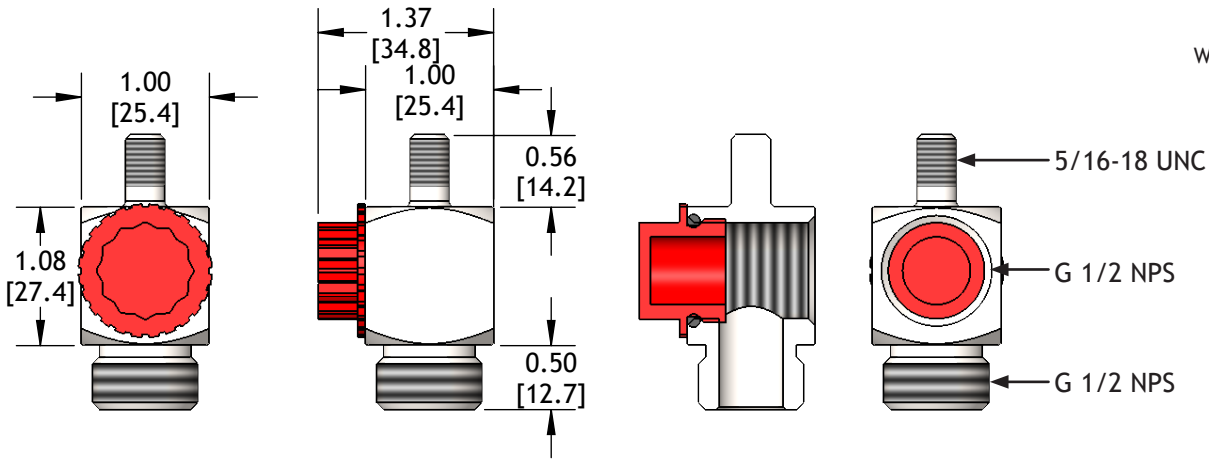
These are available in limited quantity and will not be restocked. Please refer to the new style on pages 4:15 and 4:16.

TA12

Construction: Zinc Chromate
Removable G 1/2 NPT Plug (Plastic)

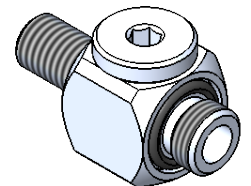


TA12
Weight: 1.34 oz [38.1 g]

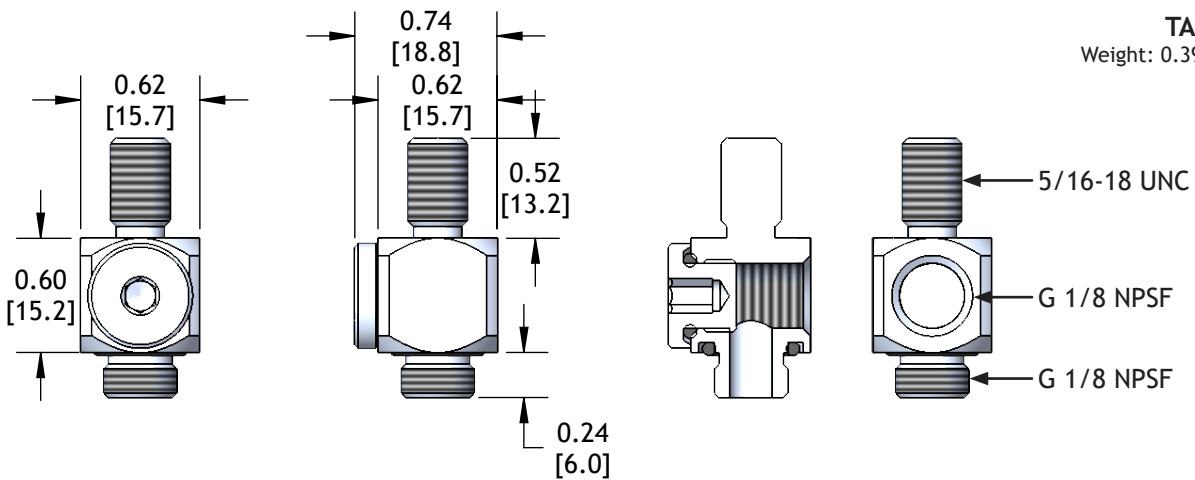


TA18

Construction: Anodized Aluminum
Removable G 1/8 NPSF Plug (P18)



TA18
Weight: 0.39 oz [11.0 g]



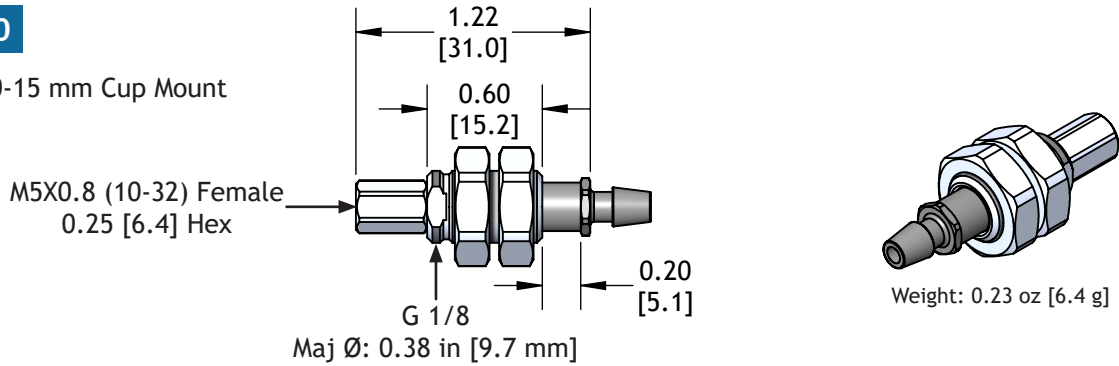
LEVEL COMPENSATORS

Level compensators are primarily used to compensate for height differences on a work-piece surface. Installation should be done in a manner that allows all of the level compensators to be fully extended while supported the load. For special applications, such as sheet feeding, level compensators can be staggered so lifting begin at the edge or corner to assist in sheet separation.

Level compensators also serve as shock absorbers to prevent damage to work-pieces and allow greater positioning latitude for robotic applications. Extensive use of aluminum reduces the weight of EDCO USA level compensators by as much as 60%.

LC10X5-10

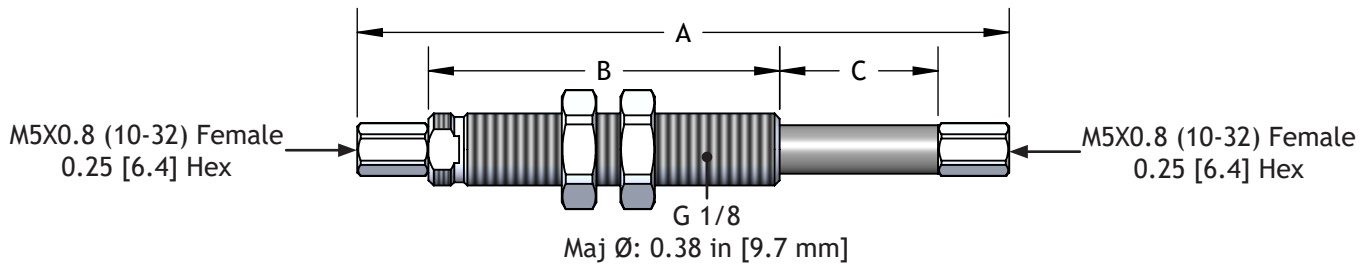
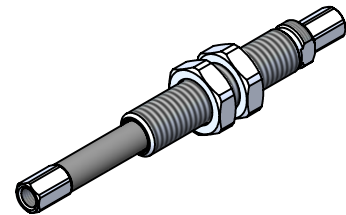
LC10 with 10-15 mm Cup Mount



LC10

	Stroke Length	Options ¹	
LC10	X20	(Blank)	Standard
	(Blank)	8 mm	-NR Non-Rotating
	X20	20 mm	
	X30	30 mm	

¹Non-Rotating option only available for 8 mm stroke length.

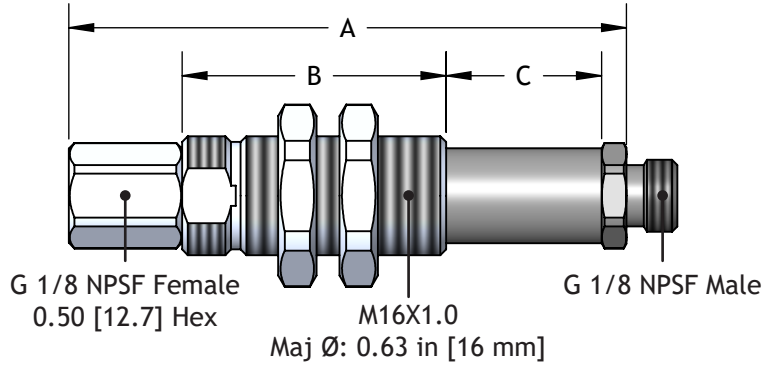
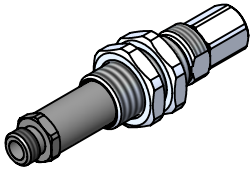


Part Number	A in [mm]	B in [mm]	C in [mm]	Weight oz [g]
LC10	1.70 [43.2]	0.76 [19.3]	0.30 [7.6]	0.25 [7.2]
LC10-NR	1.95 [49.5]	0.91 [23.1]	0.30 [7.6]	0.28 [7.9]
LC10X20	3.40 [86.4]	1.83 [46.5]	0.83 [21.0]	0.44 [12.5]
LC10X30	4.17 [106.0]	2.23 [56.6]	1.20 [30.5]	0.51 [14.6]

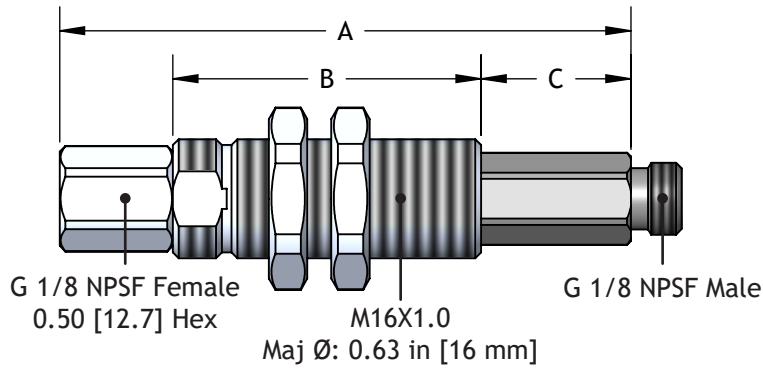
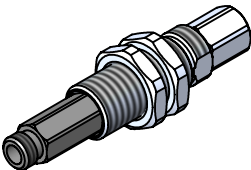
LC18

Stroke Length		Options		Side-Port Option	
LC18		X35			
(Blank)	20 mm	(Blank)	Standard - M16X1.0	(Blank)	None
X35	35 mm	-NR	Non-Rotating	-SP	Side-Port
X50	50 mm	-20	20 mm Clamp Mount		

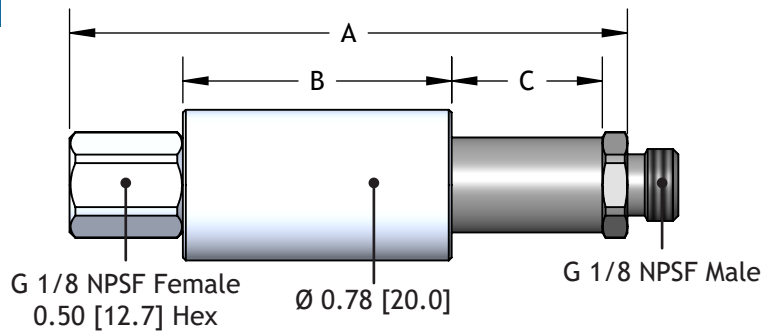
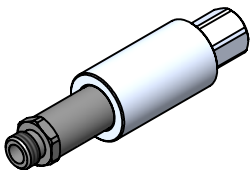
STANDARD



NON-ROTATING



20 MM CLAMP MOUNT

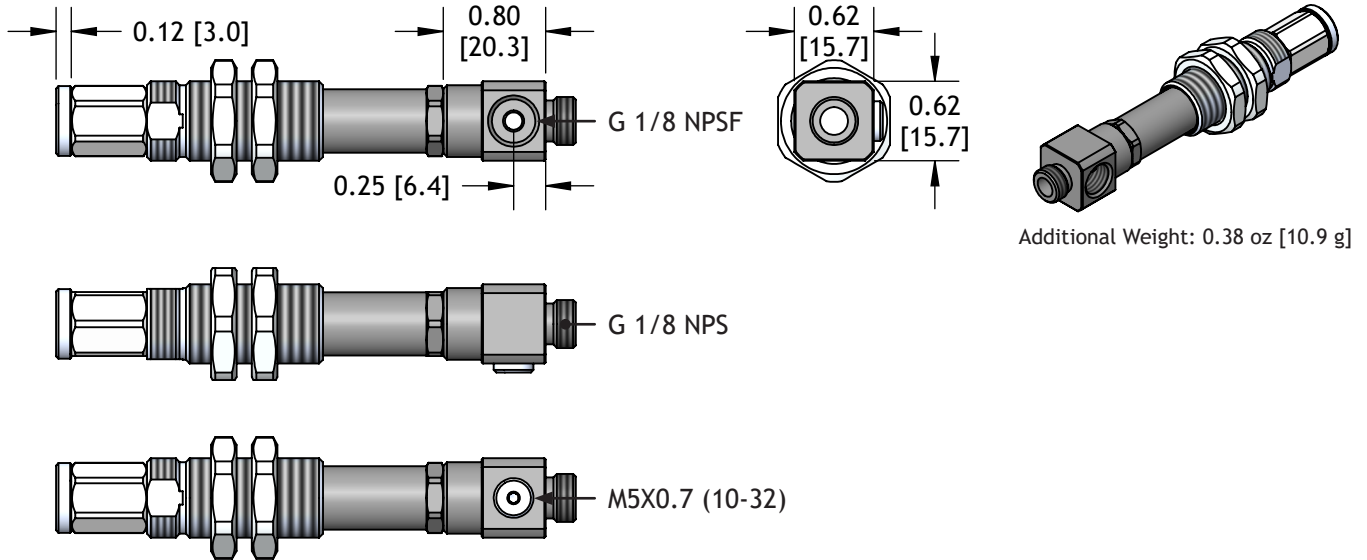


Part Number	A in [mm]	B in [mm]	C in [mm]	Weight oz [g]
LC18	2.89 [73.4]	1.38 [35.1]	0.79 [20.1]	1.06 [30.1]
LC18-NR	2.98 [75.6]	1.61 [40.8]	0.78 [19.8]	1.06 [30.1]
LC18-20	2.89 [73.4]	1.38 [35.1]	0.79 [20.1]	1.15 [32.6]
LC18X35	4.47 [114.0]	2.33 [59.2]	1.40 [35.6]	1.49 [42.2]
LC18X35-NR	4.54 [115.2]	2.56 [64.9]	1.39 [35.3]	1.46 [41.5]
LC18X35-20	4.47 [114.0]	2.33 [59.2]	1.40 [35.6]	1.94 [55.1]
LC18X50	5.75 [146.0]	2.97 [75.4]	2.00 [50.8]	1.83 [52.0]
LC18X50-NR	5.84 [148.3]	3.21 [81.5]	2.04 [51.8]	1.78 [50.5]
LC18X50-20	5.75 [146.0]	2.97 [75.4]	2.00 [50.8]	2.48 [70.1]

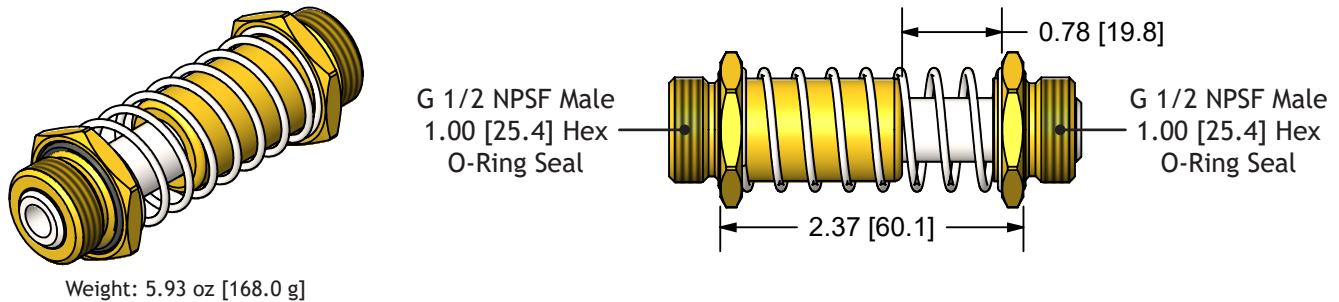
SIDE-PORT OPTION

The side-port option for the LC18 family of level compensators is perfect when you need a side port for your vacuum supply rather than the standard in-line. A P18 is inserted into the vacuum port and an adapter is installed on the cup end of the level compensator. Both the side port and cup end connection threads are G 1/8 NPSF. An M5 port has been added opposite of the vacuum supply connection for monitoring purposes.

For full dimensions, simply add the provided specifications to the base specifications for the level compensator selected.



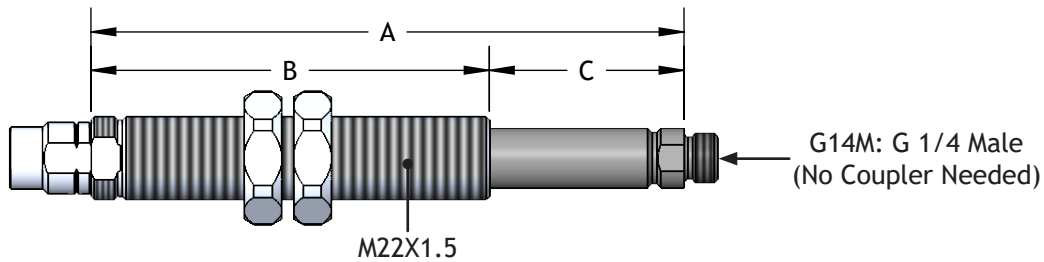
LC12



HEAVY-DUTY LEVEL COMPENSATORS

Heavy-Duty Level Compensators have the strength necessary for loads associated with larger vacuum cup diameters. Widely spaced shaft bearings all mounting in either vertical or horizontal shaft orientations. It? Alarissum di sederficiem

LC	Inlet Thread	Stroke Length	Cup End Thread
	14F	X25	38M
14F	1/4 NPSF Female	X25 25 mm	14F 1/4 NPSF Female
38M	3/8 NPTF Male	X50 50 mm	38M 3/8 NPTF Male
12M	1/2 NPTF Male		12M 1/2 NPTF Male
G14F	G 1/4 Female		G14F G 1/4 Female
G38M	G 3/8 Male		G14M G 1/4 Male
G12M	G 1/2 Male		G38M G 3/8 Male
			G12M G 1/2 Male

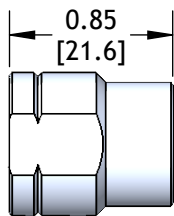


Stroke	A in [mm]	B in [mm]	C in [mm]	Weight oz [g]
25 mm	3.43 [87.1]	2.40 [61.0]	1.03 [25.0]	3.35 [94.9]
50 mm	6.18 [157]	4.15 [105.0]	2.03 [51.6]	5.13 [145.5]

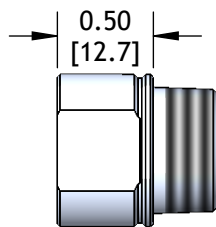
Base weight calculated without couplers.

COUPLERS

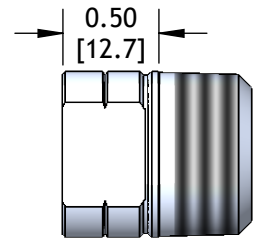
After picking an inlet and cup end thread, see the below couplers for additional dimensions.



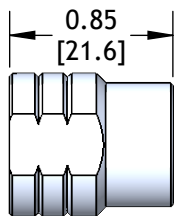
-14F	
Threads:	1/4 NPT Female
Weight: oz [g]	0.27 [7.8]



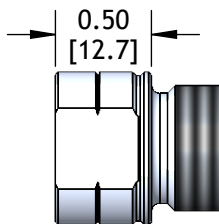
-38M	
Threads:	3/8 NPTF Male
Weight: oz [g]	0.30 [8.6]



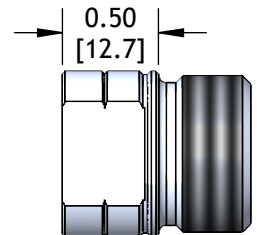
-12M	
Threads:	1/2 NPTF Male
Weight: oz [g]	0.54 [15.3]



-G14F	
Threads:	G 1/4 Female
Weight: oz [g]	0.26 [7.5]



-G38M	
Threads:	G 3/8 Male
Weight: oz [g]	0.31 [8.7]



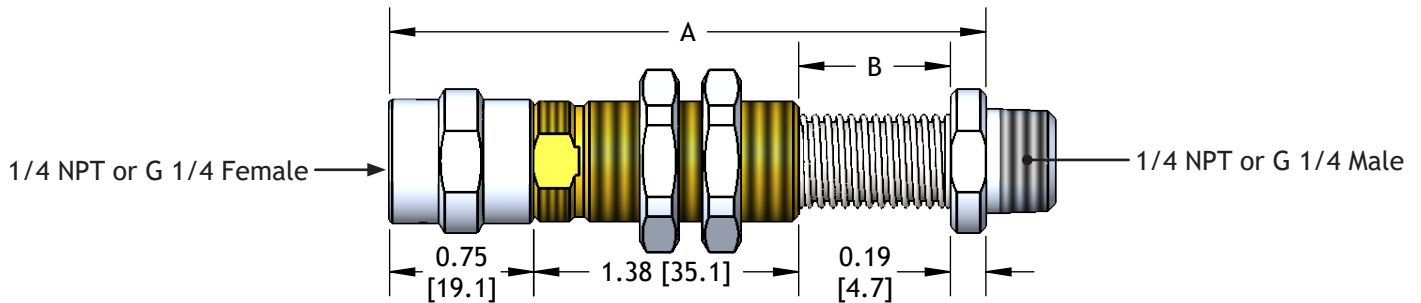
-G12M	
Threads:	G 1/2 Male
Weight: oz [g]	0.51 [14.4]

EXTERNAL SPRING LEVEL COMPENSATORS

LCE level compensators are only suitable for vertical mount applications where low cost is the primary concern. The short bearing length dictates a vertical shaft mounting orientation and care should be taken to avoid shear loads which will cause premature shaft and bearing wear.

LCE - MALE CONNECTION

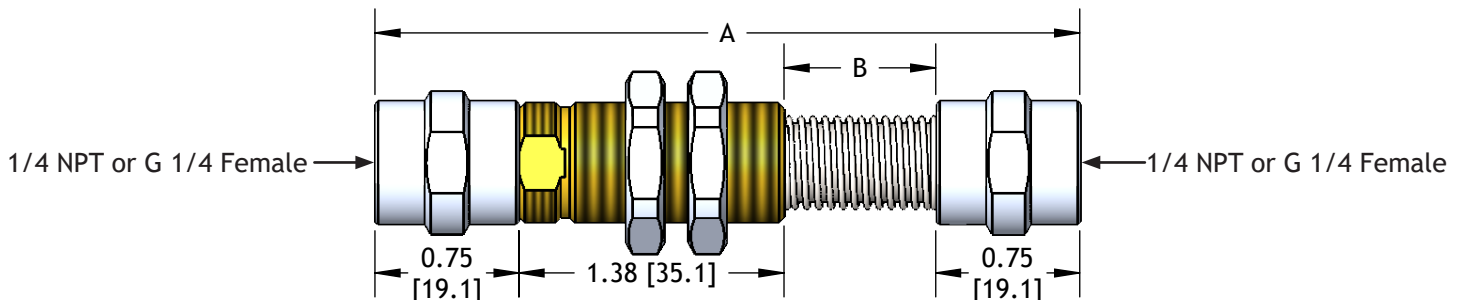
Sleeve Threads		Stroke Length		Connection Threads	
LCE	F	14X	10	(Blank)	NPT Threads
F	Fine - M16X1.0	10	10 mm	-G	G Threads
C	Coarse - M16X1.5	30	30 mm		
		50	50 mm		
		70	70 mm		



Part Number		A	B	Weight
Fine - M16X1.0	Coarse - M16X1.5	in [mm]	in [mm]	oz [g]
LCEF14X10	LCEC14X10	3.11 [79.0]	0.39 [10.0]	2.83 [80.2]
LCEF14X30	LCEC14X30	4.69 [119.0]	1.18 [30.0]	3.66 [103.8]
LCEF14X50	LCEC14X50	6.26 [159.0]	1.97 [50.0]	4.50 [127.7]
LCEF14X70	LCEC14X70	7.85 [199.0]	2.76 [70.0]	5.40 [153.1]

LCE - FEMALE CONNECTION

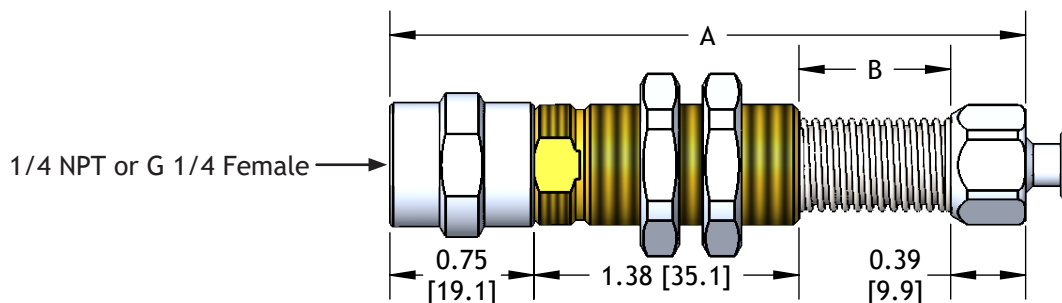
Sleeve Threads		Stroke Length		Connection Threads	
LCE	F	14X	10	-14F	(Blank) NPT Threads
F	Fine - M16X1.0	10	10 mm	-G	G Threads
C	Coarse - M16X1.5	30	30 mm		
		50	50 mm		
		70	70 mm		



Part Number		A	B	Weight
Fine - M16X1.0	Coarse - M16X1.5	in [mm]	in [mm]	oz [g]
LCEF14X10-14F	LCEC14X10-14F	3.67 [93.2]	0.39 [10.0]	2.92 [82.7]
LCEF14X30-14F	LCEC14X30-14F	5.25 [133.0]	1.18 [30.0]	3.75 [106.2]
LCEF14X50-14F	LCEC14X50-14F	6.82 [173.0]	1.97 [50.0]	4.59 [130.2]
LCEF14X70-14F	LCEC14X70-14F	8.41 [214.0]	2.76 [70.0]	5.49 [155.5]

LCE - INTEGRAL CUP FITTING

Sleeve Threads		Stroke Length		Cup Size		Connection Threads	
LCE	F	14X	10	-	32		
F	Fine - M16X1.0	10	10 mm	32	Ø 20-30 mm	(Blank)	NPT Threads
C	Coarse - M16X1.5	30	30 mm	40	Ø 40 mm	-G	G Threads
		50	50 mm	50	Ø 50 mm		
		70	70 mm				



Part Number		A in [mm]	B in [mm]	Weight oz [g]
Fine - M16X1.0	Coarse - M16X1.5			
LCEF14X10-__	LCEC14X10-__	3.31 [84.1]	0.39 [10.0]	2.79 [79.2]
LCEF14X30-__	LCEC14X30-__	4.89 [124.0]	1.18 [30.0]	3.62 [102.7]
LCEF14X50-__	LCEC14X50-__	6.46 [164.0]	1.97 [50.0]	4.47 [126.6]
LCEF14X70-__	LCEC14X70-__	8.05 [204.0]	2.76 [70.0]	5.36 [152.0]

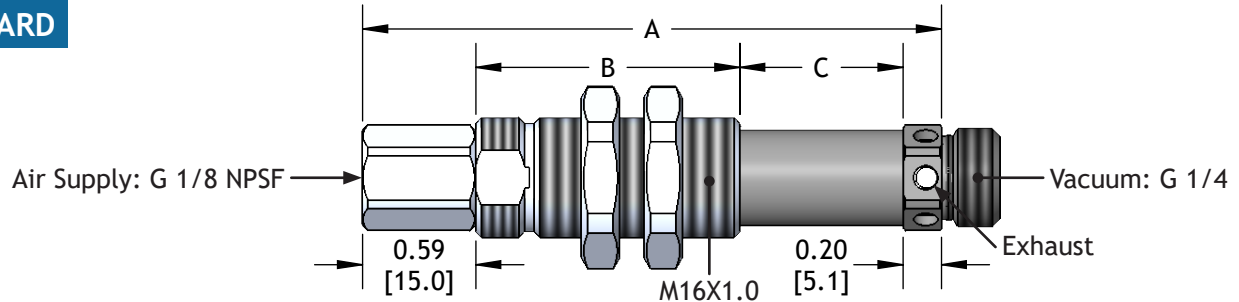
Weights and dimensions calculated using -32 cup fitting.

LCP - LEVEL COMPENSATOR PUMPS

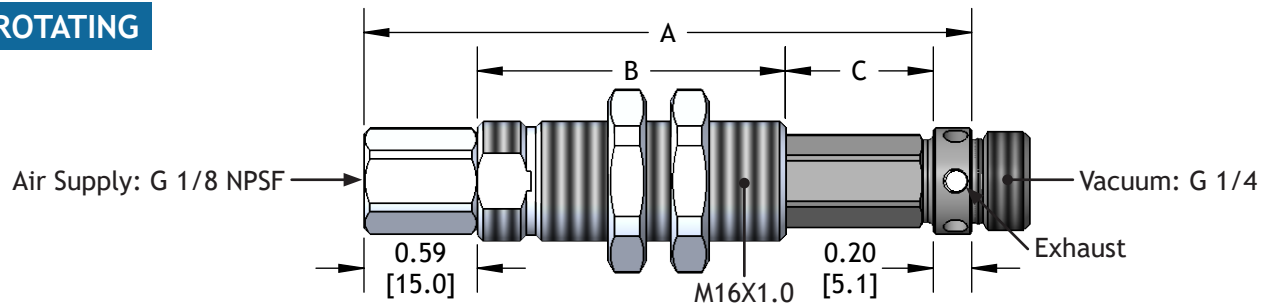
A vacuum pump integrated within a level compensator provides a simple point-of-use system that is easier to apply than two components separately. While the level compensator provides compliance, vacuum is generated directly at the vacuum cup, improving response time for both attaching to and detaching from a work-piece.

Venturi Series		Stroke Length		Non-Rotating Option	
LCP-	10L	-14X	20		
07	ER07	20	20 mm	(Blank)	Standard (Rotating)
09	ER09	35	35 mm	NR	Non-Rotating
10	ER10	50	50 mm		
10L	ER10L				

STANDARD



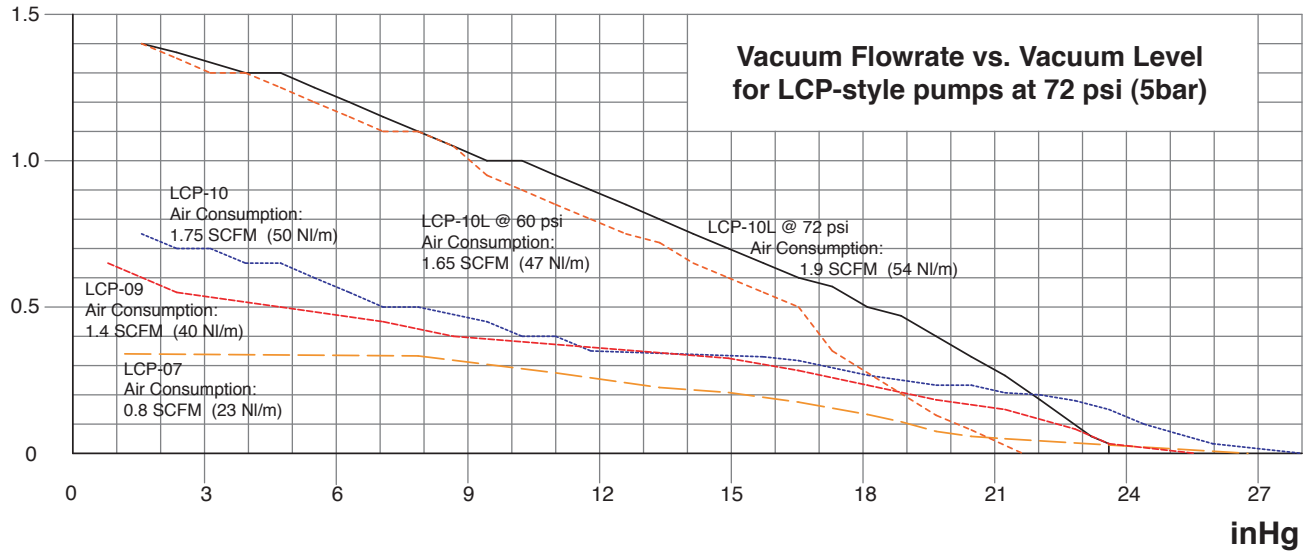
NON-ROTATING



Part Number	A in [mm]	B in [mm]	C in [mm]	Weight oz [g]
LCP-__-14X20	3.02 [76.6]	1.38 [34.9]	0.85 [21.6]	1.12 [31.8]
LCP-__-14X35	4.31 [109.3]	2.33 [59.1]	1.19 [30.2]	1.51 [42.9]
LCP-__-14X50	5.57 [141.4]	2.98 [75.7]	2.00 [50.7]	1.85 [52.3]
LCP-__-14X20NR	3.17 [80.4]	1.61 [40.8]	0.77 [19.6]	1.16 [32.8]
LCP-__-14X35NR	4.47 [113.4]	2.56 [64.9]	1.32 [33.5]	1.52 [43.1]
LCP-__-14X50NR	5.73 [145.4]	3.21 [81.5]	1.93 [48.9]	1.83 [51.8]

LCP - PERFORMANCE

SCFM



LEVEL COMPENSATOR SPRING DATA

Level Compensator	Force Exerted (Extended)	Force Exerted (Collapsed)	Spring Force
LC10X50-10	0.18 lbs	0.23 lbs	1.30 lbs/in
LC10	0.18 lbs	0.23 lbs	1.30 lbs/in
LC10X20	0.20 lbs	0.32 lbs	0.15 lbs/in
LC10X30	0.20 lbs	0.38 lbs	0.15 lbs/in
LC10X50	0.20 lbs	0.50 lbs	0.15 lbs/in
LC18	0.82 lbs	2.40 lbs	2.00 lbs/in
LC18X35	0.20 lbs	0.90 lbs	0.50 lbs/in
LC18X50	0.20 lbs	1.20 lbs	0.50 lbs/in
LC12	5.22 lbs	7.65 lbs	3.47 lbs/in
Heavy Duty (25 mm Stroke)	3.00 lbs	4.50 lbs	1.50 lbs/in
Heavy Duty (50 mm Stroke)	3.00 lbs	4.50 lbs	0.75 lbs/in
Ext Spring (10 mm Stroke)	1.10 lbs	1.36 lbs	0.67 lbs/in
Ext Spring (30 mm Stroke)	1.10 lbs	1.90 lbs	0.68 lbs/in
Ext Spring (50 mm Stroke)	1.10 lbs	2.44 lbs	0.68 lbs/in
Ext Spring (70 mm Stroke)	1.10 lbs	2.91 lbs	0.66 lbs/in
LCP (20 mm Stroke)	0.82 lbs	2.40 lbs	2.00 lbs/in
LCP (35 mm Stroke)	0.20 lbs	0.90 lbs	0.50 lbs/in
LCP (50 mm Stroke)	0.20 lbs	1.20 lbs	0.50 lbs/in