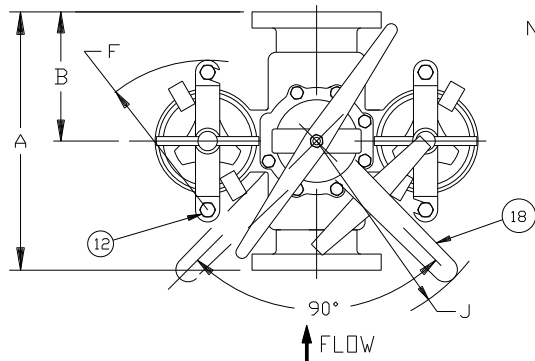


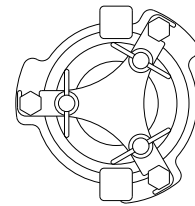
PIPE SIZE (NOMINAL)	DIMENSIONS												PART NO.
	IN. A MM.	IN. B MM.	IN. C MM.	IN. D MM.	IN. E MM.	IN. F MM.	IN. G MM.	H (NOM.) IN. MM.	IN. J MM.	IN. K MM.	IN. L MM.	WEIGHT LBS. KGS.	
5" (125mm)	18.00 / 457	9.00 / 229	9.75 / 248	33.25 / 845	14.75 / 375	10.25 / 260	17.19 / 437	3/8 / 10	19.75 / 502	0.53 / 13	41.00 / 1041	412 / 187	ST0500500F11C
6" (150mm)	21.50 / 546	10.75 / 273	11.25 / 286	34.25 / 870	15.13 / 384	11.75 / 298	21.25 / 540	3/8 / 10	19.75 / 502	0.63 / 16	42.00 / 1067	583 / 264	ST0500600F11C
8" (200mm)	25.00 / 635	14.00 / 356	17.00 / 432	50.63 / 1286	23.06 / 586	-- / --	30.75 / 781	1/2 / 15	28.00 / 711	0.94 / 24	56.00 / 1422	1725 / 782	ST0500800F11C



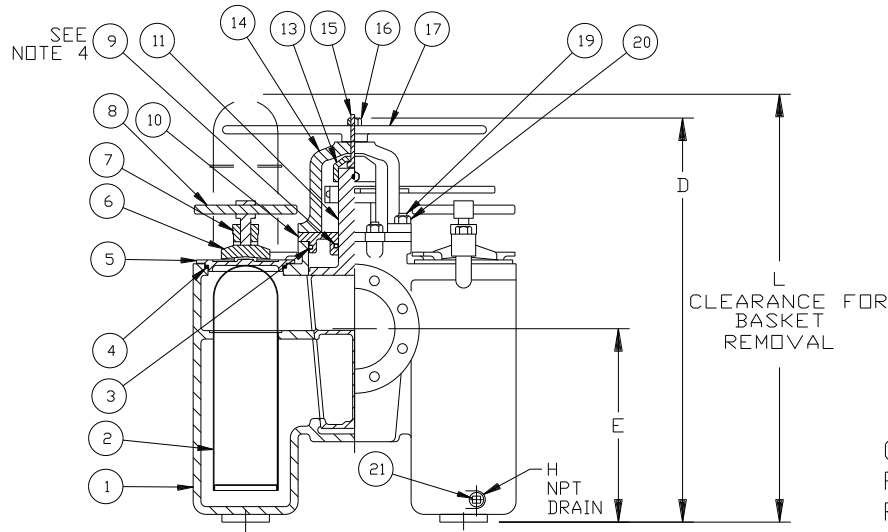
NOTES:

1. INLET/OUTLET FLANGE CONNECTIONS PER ANSI B16.24 .
2. SIZES 5" & 6" USES COVER CLAMP (ITEM 6).
3. MAX. WORKING PRESSURE: 5" & 6" SIZES.  
200 PSI @ 100°F ( 13.8 BAR @ 37.8°C )  
MAX. WORKING PRESSURE: 8" SIZE.  
150 PSI @ 100°F ( 10.3 BAR @ 37.8°C )
4. SIZE 5" USE PACKING AND PACKING GLAND IN LIEU OF O-RING.

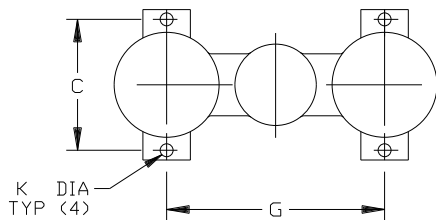
NO.	PART NAME	MATERIAL
1	BODY	BRONZE B148 ALLOY 954
2	BASKET	
	PERF. DIA. MESH	
3	O-RING (SIZE - 6")	BUNA-N
	GASKET (SIZE - 8")	NON-ASBESTOS
4	O-RING	BUNA-N
5	COVER	BRONZE B148 ALLOY 954
6	COVER CLAMP	DUCTILE IRON
7	YOKE	DUCTILE IRON
8	YOKE SCREW AND PIN ASSY	CARBON STEEL
9	O-RING	BUNA-N (SEE NOTE 4)
10	BONNET	BRONZE B148 ALLOY 954
11	DIVERTER PLUG	BRONZE B148 ALLOY 954
12	YOKE STUD	STEEL
13	JACK COLLAR	DUCTILE IRON
14	JACK BONNET	DUCTILE IRON
15	JACKSCREW	STEEL
16	JACKSCREW NUT	CARBON STEEL
17	LIFTING HANDLE	DUCTILE IRON
18	TURNING HANDLE	DUCTILE IRON
19	BONNET STUD	ALLOY STEEL
20	BONNET STUD NUT	CARBON STEEL
21	DRAIN PLUG	BRASS



8" COVER & YOKE  
DETAIL



CERTIFIED FOR:  
P.O. NO.:  
REG. NO.:  
QUOTE NO.:  
TAG NO.:



ELECTRONIC FILE NAME: SD051092.DWG  
REF. ECR 0067315 DATE 2/23/12

UNAUTHORIZED USE, MANUFACTURE OR REPRODUCTION IN WHOLE OR IN PART IS PROHIBITED. DRAWING, DESIGN AND OTHER DISCLOSURES PROPERTY OF EATON FILTRATION, LLC

<b>EATON</b>		<b>EATON FILTRATION, LLC</b>	
		44 APPLE ST. TINTON FALLS, NEW JERSEY 07724 U.S.A.	
DRAWN FM		DATE 1/6/94	
DATE 1/6/94		CERT. JQ	
SIZE A	DWG NO	SD051092	
REV H			