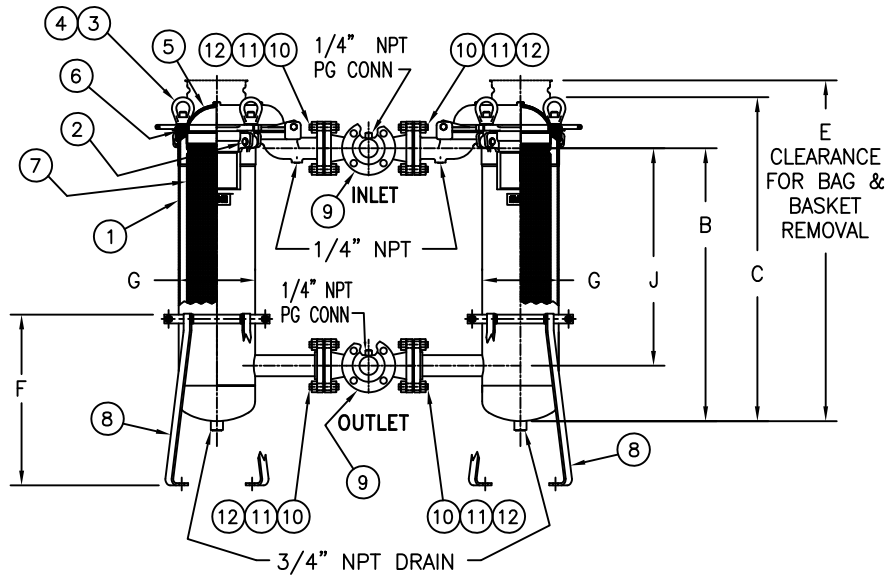
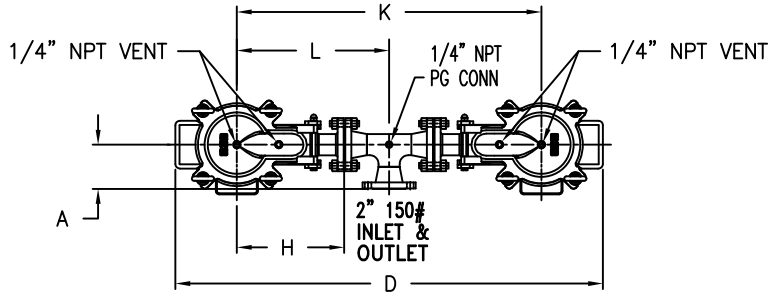
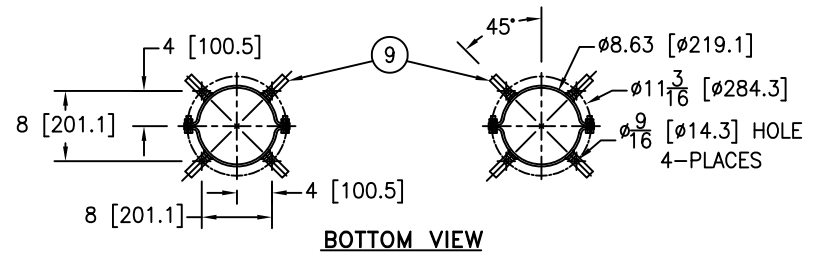


| ITEM NUMBER | BAG SIZE | A IN. / MM | B IN. / MM | C IN. / MM | D IN. / MM | E IN. / MM | F IN. / MM | G IN. / MM | H IN. / MM | J IN. / MM | K IN. / MM | L IN. / MM | WEIGHT LBS / KGS |
|-------------|----------|------------|--------------|--------------|---------------|---------------|--------------|-------------|--------------|--------------|--------------|-----------------|------------------|
| F3AVTB0101 | 02 | 5 / 127 | 30-3/4 / 781 | 36-1/2 / 927 | 48-3/8 / 1229 | 62-3/4 / 1594 | 19-1/4 / 489 | 8-5/8 / 219 | 12-1/8 / 308 | 24-1/2 / 622 | 34-3/8 / 873 | 17-3/16 / 436.5 | 240 / 109 |

| REVISIONS | | | | |
|-----------|-----------------|-----|---------|----------|
| REV | DESCRIPTION | BY | ECO | DATE |
| D | UPDATED DRAWING | FJM | 0127925 | 10/10/16 |



| NO. | PART NAME | MATERIAL |
|-----|--------------------------------------|--|
| 1 | BODY | SA-216 WCB SA-53 GR.B SA-234 WPB |
| 2 | PIN | SA-193 GR B7, ZINC PL |
| 3 | EYE BOLT | SA-193 GR B7, ZINC PL |
| 4 | EYE NUT | SA-194 GR 2H, ZINC PL |
| 5 | COVER | SA-216 WCB |
| 6 | O-RINGS (2) P/N 811333 & L0000024 | BUNA-N |
| 7 | RESTRAINER BASKET P/N L0001753 | 316 STAINLESS STEEL |
| 8 | ADJUSTABLE LEGS | CSTL EPOXY COATED |
| 9 | INLET/OUTLET MANIFOLDS | CARBON STEEL |
| 10 | STUDS | SA-193 GR B7, ZINC PL |
| 11 | NUTS | SA-194 GR 2H, ZINC PL |
| 12 | MANIFOLD GASKETS | BLUEGARD 3000 |

NOTES:

- UNITS ARE DESIGNED, FABRICATED AND "UM" STAMPED IN ACCORDANCE WITH THE ASME BOILER & PRESSURE VESSEL CODE SECTION VIII, DIVISION 1, IN COMPLIANCE TO CURRENT MANDATORY EDITION.
- INLET/OUTLET FLANGED CONNECTIONS PER ANSI B16.5.
- MAWP: 150 PSI @ 250° F (10.3 BAR @ 121.1° C)
MDMT: -20° F @ 150 PSI (-28.9° C @ 10.3 BAR)
- MAXIMUM OPERATING TEMP. 400° F (204.4° C) WITH VITON O-RING
- DIMENSIONS SHOWN IN [] ARE IN MILLIMETERS AND FOR REFERENCE ONLY. ACCEPTANCE OF THIS PART WILL BE BASED ON "INCH" UNITS & TOLERANCES ONLY.
- PAINT PER EATON STANDARD ES-301.

| TOLERANCES (UNLESS OTHERWISE SPECIFIED) | |
|---|--|
| DECIMAL: | .X ± .030 .XX ± .010 .XXX ± .005 |
| FRACTIONAL: | ± 1/16 |
| NOZZLE Ø TO FLOOR: | 1/8" < 4' > 1/4" |
| FACE TO FACE: | 1/8" < 4' > 1/4" |
| ANGULAR: | ± 1' |
| FLANGES (H/V): | ± 1/2" |
| VESSEL OVERALL HT: | 1" |

REVIEWED FOR CLASSIFICATION PER PR-4
 CRITICAL SIGNIFICANT

| CUSTOMER INFO | |
|---------------|------------|
| NAME | |
| P.O. NO. | |
| S.O. NO. | |
| QUANTITY | |
| PART NO. | F3AVTB0101 |

| | |
|-------------|-------------|
| DRAWN BY | FJM |
| SCALE | AS DRAWN |
| RESTRICTION | RESTRICTION |
| SHEET | 1 OF 1 |
| PROJECTION | |
| THIRD ANGLE | |

| | | | |
|--|----------|---|---|
| VESSEL CODE: DTBF-0102-CS10-020A | | | |
| | | HYDRAULICS GROUP FILTRATION DIVISION GALESBURG, MICHIGAN, USA • TINTON FALLS, NEW JERSEY, USA | |
| TITLE TOPLINE (DTBF) DUPLEX BAG FILTER 2" 150# RF FLANGED CONNECTIONS CARBON STEEL W/ BUNA O-RINGS | | | |
| DATE | 02/19/04 | SIZE | A |
| DWG FILENAME | DTBF2-XC | REV | D |

EATON CORPORATION - CONFIDENTIAL AND PROPRIETARY NOTICE TO PERSONS RECEIVING THIS DRAWING AND/OR TECHNICAL INFORMATION THIS DOCUMENT, INCLUDING THE DRAWING AND INFORMATION CONTAINED THEREON IS CONFIDENTIAL AND IS THE EXCLUSIVE PROPERTY OF EATON AT ANY TIME. BY TAKING THE POSSESSION OF THIS DOCUMENT THE RECIPIENT ACKNOWLEDGES AND AGREES THAT THIS DOCUMENT CANNOT BE USED IN ANY MANNER ADVERSE TO THE INTEREST OF EATON AND THAT NO PORTION OF THIS DRAWING MAY BE COPIED OR OTHERWISE REPRODUCED WITHOUT THE PRIOR WRITTEN CONSENT OF EATON. IN THE CASE OF CONFLICT CONTRACTUAL PROVISIONS, THIS NOTICE SHALL GOVERN THE STATUS OF THIS DOCUMENT.
 2016 EATON CORPORATION - ALL RIGHTS RESERVED.