

Filter Cartridge Housing BECO INTEGRA® CART KK Range

Eaton's BECO INTEGRA CART KK filter cartridge housings are manufactured of stainless steel AISI 316L and designed for gas or steam filtration.

Special Features

- Corrosion resistant, stainless steel AISI 316L material
- Increased safety through the use of code 7 adapters (double-leaf bayonet locking)
- The optimized housing design allows thorough and fast cleaning
- Suitable for sterile filtration of gases and particle filtration of steam
- Suitable for hot water or steam sterilization

Application

All BECO INTEGRA CART KK filter cartridge housings are designed for the filtration of media of fluid group 2 according to the Pressure Equipment Directive PED 2014/68/EU. Different stack heights of 5" to 30" allow perfect adaptation of housing size to the filtered product. Thanks to an optimized filtrate area design and a special surface finish, this housing can be perfectly cleaned and sterilized.

BECO INTEGRA CART cartridge housings accept BECO® filter cartridges with code 7 adapter.

Technical Data

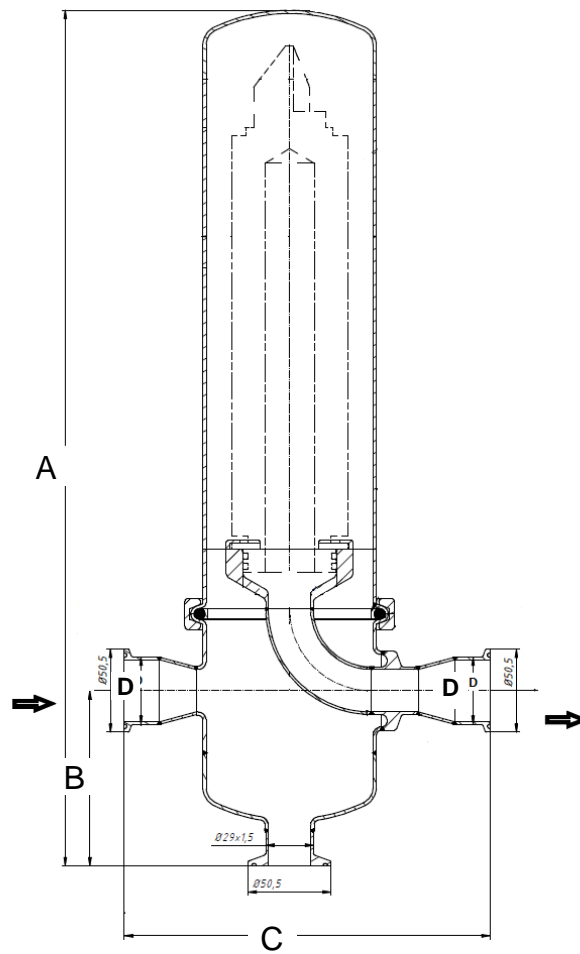
Max. permissible operating pressure:	145 psi (1,000 kPa/10 bar)
Max. permissible operating temperature:	284 °F (140 °C)



KK-housing

Product contacting parts:	Stainless steel AISI 316L
Gasket:	Silicone
Housing is suitable for:	Media of fluid group 2 according to DGRL (PED) 2014/68/EU
Housing connections:	Tri-Clamp DN40 acc. to DIN32676, open
Housing closure:	Tri-Clamp
Drain connection:	Tri-Clamp DN25 acc. to DIN32676, open

Item no.	No. of filter cartridges	Length of filter cartridge in	Dimensions in (mm)					Connections	Weight lb (kg)	Volume gal (l)	Permissible pressure psi (bar)	Permissible temperature °F (°C)
			A	B	C	D	Ø					
KK107C40	1	5	15.77 (400,5)	4.21 (107)	8.80 (223,5)	1.50 (38)	4.17 (106)	TC DN40	11 (5)	1.1 (4)	-14.5/+145 (-1/+10)	14/284 -10/+140
KK117C40	1	10	20.59 (523)	4.21 (107)	8.80 (223,5)	1.50 (38)	4.17 (106)	TC DN40	11 (5)	1.3 (5)	-14.5/+145 (-1/+10)	14/284 -10/+140
KK127C40	1	20	30.37 (771,5)	4.21 (107)	8.80 (223,5)	1.50 (38)	4.17 (106)	TC DN40	13.2 (6)	1.6 (6)	-14.5/+145 (-1/+10)	14/284 -10/+140
KK137C40	1	30	40.28 (1,023)	4.21 (107)	8.80 (223,5)	1.50 (38)	4.17 (106)	TC DN40	17.6 (8)	2.1 (8)	-14.5/+145 (-1/+10)	14/284 -10/+140



North America

44 Apple Street
Tinton Falls, NJ 07724
Toll Free: 800 656-3344
(North America only)
Tel: +1 732 212-4700

Europe/Africa/Middle East

Auf der Heide 2
53947 Nettersheim, Germany
Tel: +49 2486 809-0

Friedensstraße 41
68804 Altlußheim, Germany
Tel: +49 6205 2094-0

An den Nahewiesen 24
55450 Langenlonsheim, Germany
Tel: +49 6704 204-0

China

No. 3, Lane 280,
Linhong Road
Changning District, 200335
Shanghai, P.R. China
Tel: +86 21 5200-0099

Singapore

100G Pasir Panjang Road #07-08
Singapore 118523
Tel: +65 6825-1668

Brazil

Rua Clark, 2061 - Macuco
13279-400 - Valinhos, Brazil
Tel: +55 11 3616-8400

**For more information, please
email us at filtration@eaton.com
or visit www.eaton.com/filtration**

© 2018 Eaton. All rights reserved. All trademarks and registered trademarks are the property of their respective owners. All information and recommendations appearing in this brochure concerning the use of products described herein are based on tests believed to be reliable. However, it is the user's responsibility to determine the suitability for his own use of such products. Since the actual use by others is beyond our control, no guarantee, expressed or implied, is made by Eaton as to the effects of such use or the results to be obtained. Eaton assumes no liability arising out of the use by others of such products. Nor is the information herein to be construed as absolutely complete, since additional information may be necessary or desirable when particular or exceptional conditions or circumstances exist or because of applicable laws or government regulations.