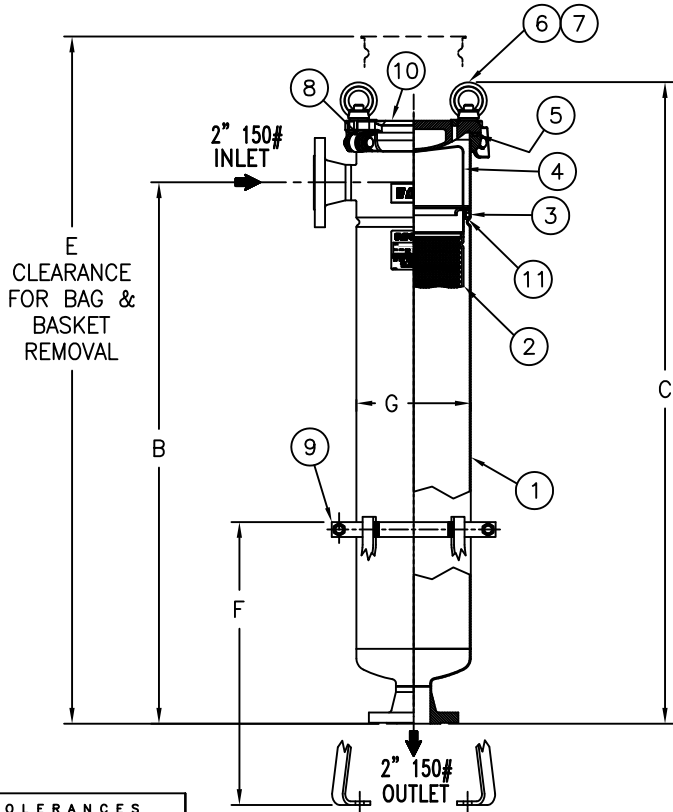
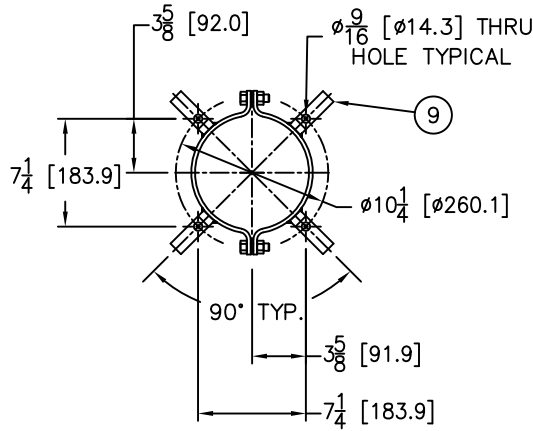
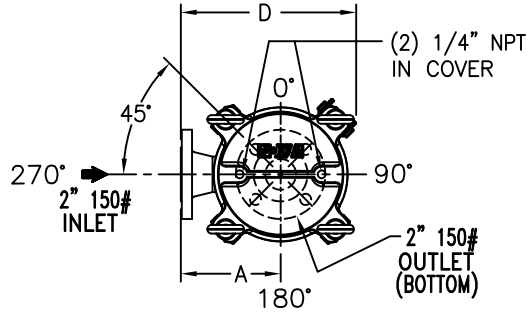


ITEM NUMBER	BAG SIZE	A IN. / MM	B IN. / MM	C IN. / MM	D IN. / MM	E IN. / MM	F IN. / MM	G IN. / MM	WEIGHT LBS / KGS
F3AVFB0007	01	6-11/16 / 170	20-3/4 / 527	27-9/16 / 700	11-3/4 / 298.4	38/ 965.2	19-1/4 / 489	7-11/16 / 195	40 / 18.1
F3AVFB0008	02	6-11/16 / 170	36-5/16 / 922.3	43-1/8 / 1095.3	11-3/4 / 298.4	69/ 1752.6	19-1/4 / 489	7-11/16 / 195	53 / 24



REVISIONS				
REV	DESCRIPTION	BY	ECO	DATE
J	UPDATED DRAWING	FJM	0087541	07/23/13

NO.	PART NAME	MATERIAL
1	BODY	CARBON STEEL
2	RESTRAINER BASKET 01 SIZE P/N L0001752 02 SIZE P/N L0001753	316 STAINLESS STEEL
3	ADAPTOR O-RING P/N X811441	BUNA-N
4	BAG HOLD DOWN	304 STAINLESS STEEL
5	O-RING P/N X811445	BUNA-N
6	EYE BOLT	STEEL, ZINC PLATED
7	EYE NUT	STEEL, ZINC PLATED
8	PIN	STAINLESS STEEL
9	ADJUSTABLE LEGS P/N L0002939SA-CSTL	CARBON STEEL EPOXY COATED
10	COVER	CARBON STEEL
11	ADAPTOR PLATE	304 STAINLESS STEEL

NOTES:

1. INLET/OUTLET FLANGED CONNECTIONS PER ANSI B16.5
2. MAWP: 150 PSI @ 250° F (10.3 BAR @ 121.1° C) MDMT: -20° F @ 150 PSI (-28.9° C @ 10.3 BAR)
3. MAXIMUM OPERATING TEMP. 400° F (204.4° C) WITH VITON O-RING.
4. DIMENSIONS SHOWN IN [] ARE IN MILLIMETERS AND FOR REFERENCE ONLY. ACCEPTANCE OF THIS PART WILL BE BASED ON "INCH" UNITS & TOLERANCES ONLY.
5. PAINT C/STL. PER EATON STANDARD ES-301.

VESSEL CODE 01 SIZE:	FBF-0101-CS10-020A-NS-B-NCS
VESSEL CODE 02 SIZE:	FBF-0102-CS10-020A-NS-B-NCS

DRAWN BY	FM	EATON EATON FILTRATION, LLC DESIGN CENTER TINTON FALLS, NEW JERSEY, USA • PORTAGE, MICHIGAN, USA
SCALE	AS DRAWN	
RESTRICTION	RESTRICTION	TITLE
SHEET	1 OF 1	FLOWLINE (FBF) BAG FILTER VESSEL 2" 150# FLANGED IN/OUT CONNECTIONS CARBON STEEL W/BUNA O-RINGS
PROJECTION	THIRD ANGLE	DATE
		10/20/00
		SIZE
		A
		DWG FILENAME
		FBF11XCF
		REV
		J

CUSTOMER INFO	
NAME	
P.O. NO.	
S.O. NO.	
QUANTITY	
PART NO.	

TOLERANCES (UNLESS OTHERWISE SPECIFIED)	
DECIMAL:	.XX ± .010
	.XXX ± .005
FRACTIONAL:	± 1/16
NOZZLE Ø TO FLOOR:	1/8" < 4' > 3/4"
FACE TO FACE:	1/4" < 4' > 1/2"
ANGULAR:	± 1'
FLANGES (H/V):	± 1/2"
VESSEL OVERALL HT:	1"

REVIEWED FOR CLASSIFICATION PER PR-4
 CRITICAL SIGNIFICANT

EATON CORPORATION - CONFIDENTIAL AND PROPRIETARY NOTICE TO PERSONS RECEIVING THIS DRAWING AND/OR TECHNICAL INFORMATION
 THIS DOCUMENT, INCLUDING THE DRAWING AND INFORMATION CONTAINED THEREON IS CONFIDENTIAL AND IS THE EXCLUSIVE PROPERTY OF EATON AT ANY TIME. BY TAKING THE
 POSSESSION OF THIS DOCUMENT THE RECIPIENT ACKNOWLEDGES AND AGREES THAT THIS DOCUMENT CANNOT BE USED IN ANY MANNER ADVERSE TO THE INTEREST OF EATON AND
 THAT NO PORTION OF THIS DRAWING MAY BE COPIED OR OTHERWISE REPRODUCED WITHOUT THE PRIOR WRITTEN CONSENT OF EATON, IN THE CASE OF CONFLICT CONTRACTUAL
 PROVISIONS, THIS NOTICE SHALL GOVERN THE STATUS OF THIS DOCUMENT.
 2013 EATON CORPORATION - ALL RIGHTS RESERVED.