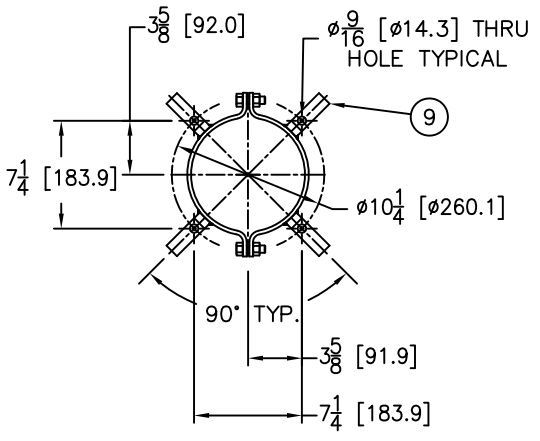
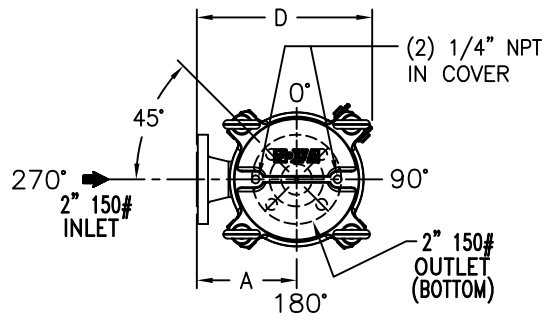
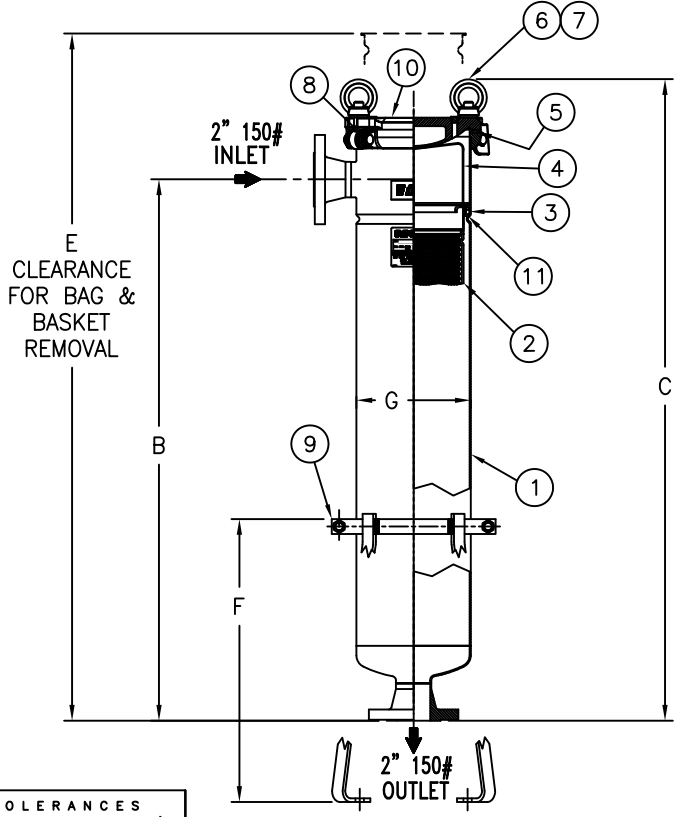


ITEM NUMBER	BAG SIZE	A IN. / MM	B IN. / MM	C IN. / MM	D IN. / MM	E IN. / MM	F IN. / MM	G IN. / MM	WEIGHT LBS / KGS
FBF0111SB02F	01	6-11/16 / 170	20-3/4 / 527	27-9/16 / 700	11-3/4 / 298.4	38/ 965.2	19-1/4 / 489	7-11/16 / 195	40 / 18.1
FBF0112SB02F	02	6-11/16 / 170	36-5/16 / 922.3	43-1/8 / 1095.3	11-3/4 / 298.4	69/ 1752.6	19-1/4 / 489	7-11/16 / 195	53 / 24



MOUNTING DETAIL



REVISIONS				
REV	DESCRIPTION	BY	ECO	DATE
J	UPDATED DRAWING	FJM	0087541	07/23/13

NO.	PART NAME	MATERIAL
1	BODY	316 STAINLESS STEEL
2	RESTRAINER BASKET 01 SIZE P/N L0001752 02 SIZE P/N L0001753	316 STAINLESS STEEL
3	ADAPTOR O-RING P/N X811441	BUNA-N
4	BAG HOLD DOWN	316 STAINLESS STEEL
5	O-RING P/N X811445	BUNA-N
6	EYE BOLT	STEEL, ZINC PLATED
7	EYE NUT	STEEL, ZINC PLATED
8	PIN	STAINLESS STEEL
9	ADJUSTABLE LEGS P/N L0002939SA-CSTL	CARBON STEEL EPOXY COATED
10	COVER	316 STAINLESS STEEL
11	ADAPTOR PLATE	316 STAINLESS STEEL

- NOTES:**
- INLET/OUTLET FLANGED CONNECTIONS PER ANSI B16.5
 - MAWP: 150 PSI @ 250° F MDMT: -20° F @ 150 PSI
(10.3 BAR @ 121.1° C) (-28.9° C @ 10.3 BAR)
 - MAXIMUM OPERATING TEMP. 400° F (204.4° C) WITH VITON O-RING.
 - DIMENSIONS SHOWN IN [] ARE IN MILLIMETERS AND FOR REFERENCE ONLY. ACCEPTANCE OF THIS PART WILL BE BASED ON "INCH" UNITS & TOLERANCES ONLY.

TOLERANCES (UNLESS OTHERWISE SPECIFIED)	
DECIMAL:	.X ± .030 .XX ± .010 .XXX ± .005
FRACTIONAL:	± 1/16
NOZZLE Q TO FLOOR:	1/8" < 4' > 3/4"
FACE TO FACE:	1/4" < 4' > 1/2"
ANGULAR:	± 1'
FLANGES (H/V):	± 1/2"
VESSEL OVERALL HT:	1"

REVIEWED FOR CLASSIFICATION PER PR-4
 CRITICAL SIGNIFICANT

CUSTOMER INFO	
NAME	
P.O. NO.	
S.O. NO.	
QUANTITY	
PART NO.	

DRAWN BY LF		VESSEL CODE 01 SIZE: FBF-0101-AB10-020A-NS-B-NCS	
SCALE AS DRAWN		VESSEL CODE 02 SIZE: FBF-0102-AB10-020A-NS-B-NCS	
RESTRICTION RESTRICTION		EATON FILTRATION, LLC DESIGN CENTER TINTON FALLS, NEW JERSEY, USA • PORTAGE, MICHIGAN, USA	
SHEET 1 OF 1		TITLE FLOWLINE (FBF) BAG FILTER VESSEL 2" 150# FLANGED IN/OUT CONNECTIONS SS-316 W/BUNA O-RINGS	
PROJECTION THIRD ANGLE		DATE 09/29/00	SIZE A
		DWG FILENAME FBF11XSF	REV J
<small>EATON CORPORATION - CONFIDENTIAL AND PROPRIETARY NOTICE TO PERSONS RECEIVING THIS DRAWING AND/OR TECHNICAL INFORMATION THIS DOCUMENT, INCLUDING THE DRAWING AND INFORMATION CONTAINED THEREON IS CONFIDENTIAL AND IS THE EXCLUSIVE PROPERTY OF EATON AT ANY TIME. BY TAKING THE POSSESSION OF THIS DOCUMENT THE RECIPIENT ACKNOWLEDGES AND AGREES THAT THIS DOCUMENT CANNOT BE USED IN ANY MANNER ADVERSE TO THE INTEREST OF EATON AND THAT NO PORTION OF THIS DRAWING MAY BE COPIED OR OTHERWISE REPRODUCED WITHOUT THE PRIOR WRITTEN CONSENT OF EATON, IN THE CASE OF CONFLICT CONTRACTUAL PROVISIONS, THIS NOTICE SHALL GOVERN THE STATUS OF THIS DOCUMENT. 2013 EATON CORPORATION - ALL RIGHTS RESERVED.</small>			