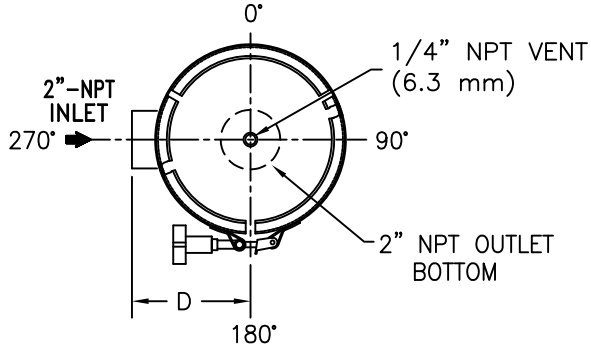
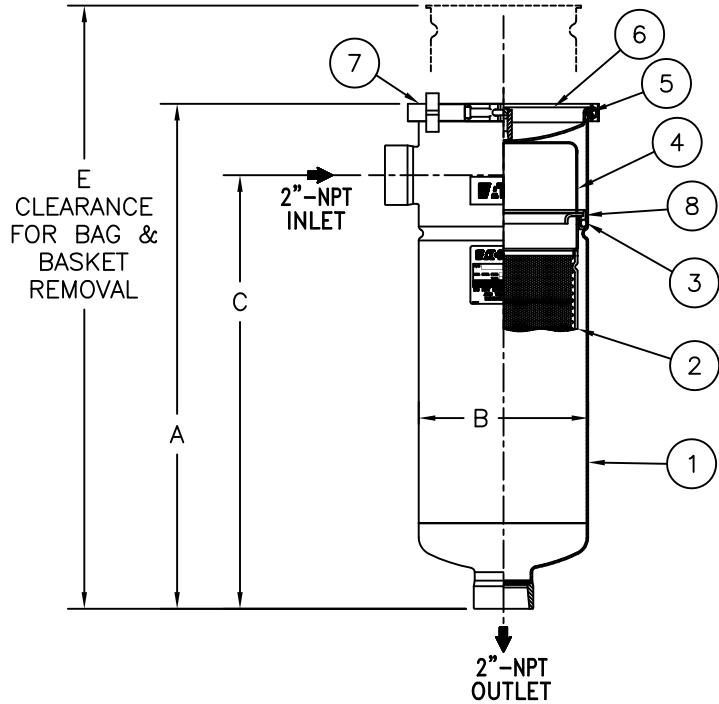


PIPE SIZE (NOM)	ITEM NUMBER	BAG SIZE	A IN. / MM	B IN. / MM	C IN. / MM	D IN. / MM	E IN. / MM	WEIGHT LBS / KGS
2 (50.8mm)	EBF0111SB02T	01	22-7/8 / 581	7-11/16 / 195	19-5/8 / 499	5-3/8 / 136	37 / 940	25 / 11.3
2 (50.8mm)	EBF0112SB02T	02	38-1/2 / 978	7-11/16 / 195	35-3/16 / 894	5-3/8 / 136	68 / 1727	38 / 17.2



REVISIONS			
REV	DESCRIPTION	BY	DATE
G	UPDATED DRAWING	FJM	0087052 07/03/13

NO.	PART NAME	MATERIAL
1	BODY	316 STAINLESS STEEL
2	RESTRAINER BASKET 01 SIZE P/N L0001752	316 STAINLESS STEEL
2	RESTRAINER BASKET 02 SIZE P/N L0001753	316 STAINLESS STEEL
3	ADAPTOR O-RING P/N 811441	BUNA-N
4	BAG HOLD DOWN	316 STAINLESS STEEL
5	O-RING P/N 811441	BUNA-N
6	COVER	316 STAINLESS STEEL
7	V-CLAMP	STAINLESS STEEL
8	ADAPTOR PLATE	STAINLESS STEEL



**NOTES:**

- INLET/OUTLET "NPT" THREADED CONNECTIONS PER ANSI B1.20.1
- MAWP: 100 PSI @ 250 °F (6.8 BAR @ 121.1 °C)
- DIMENSIONS SHOWN IN [ ] ARE IN MILLIMETERS AND FOR REFERENCE ONLY. ACCEPTANCE OF THIS PART WILL BE BASED ON "INCH" UNITS & TOLERANCES ONLY.

VESSEL CODE 01 SIZE: EBF-0101-AB07-020N-NS-B-NNS  
 VESSEL CODE 02 SIZE: EBF-0102-AB07-020N-NS-B-NNS

DRAWN BY	LF	<b>EATON</b> EATON FILTRATION, LLC DESIGN CENTER TINTON FALLS, NEW JERSEY, USA • PORTAGE, MICHIGAN, USA
SCALE	AS DRAWN	
RESTRICTION	RESTRICTION	TITLE
SHEET	1 OF 1	ECOLINE (EBF) FILTER VESSEL 2" NPT THREADED CONNECTIONS SS-316 W/BUNA O-RINGS
PROJECTION	THIRD ANGLE	DATE
		07/27/99
		SIZE
		A
		DWG FILENAME
		EBF11XS
		REV
		G

TOLERANCES (UNLESS OTHERWISE SPECIFIED)	
DECIMAL:	.X ± .030
	.XX ± .010
	.XXX ± .005
FRACTIONAL:	± 1/16
NOZZLE Ø TO FACE:	1/8" < 4" > 1/4"
FACE TO FACE:	1/8" < 4" > 1/4"
ANGULAR:	± 1'
FLANGES (H/V):	± 1/2
VESSEL OVERALL HT:	1"

REVIEWED FOR CLASSIFICATION PER PR-4  
 CRITICAL SIGNIFICANT

CUSTOMER INFO	
NAME	
P.O. NO.	
S.O. NO.	
QUANTITY	
PART NO.	SEE ABOVE

EATON CORPORATION - CONFIDENTIAL AND PROPRIETARY NOTICE TO PERSONS RECEIVING THIS DRAWING AND/OR TECHNICAL INFORMATION  
 THIS DOCUMENT, INCLUDING THE DRAWING AND INFORMATION CONTAINED THEREON IS CONFIDENTIAL AND IS THE EXCLUSIVE PROPERTY OF EATON AT ANY TIME. BY TAKING THE POSSESSION OF THIS DOCUMENT THE RECIPIENT ACKNOWLEDGES AND AGREES THAT THIS DOCUMENT CANNOT BE USED IN ANY MANNER ADVERSE TO THE INTEREST OF EATON AND THAT NO PORTION OF THIS DRAWING MAY BE COPIED OR OTHERWISE REPRODUCED WITHOUT THE PRIOR WRITTEN CONSENT OF EATON, IN THE CASE OF CONFLICT CONTRACTUAL PROVISIONS, THIS NOTICE SHALL GOVERN THE STATUS OF THIS DOCUMENT.  
 2013 EATON CORPORATION - ALL RIGHTS RESERVED.