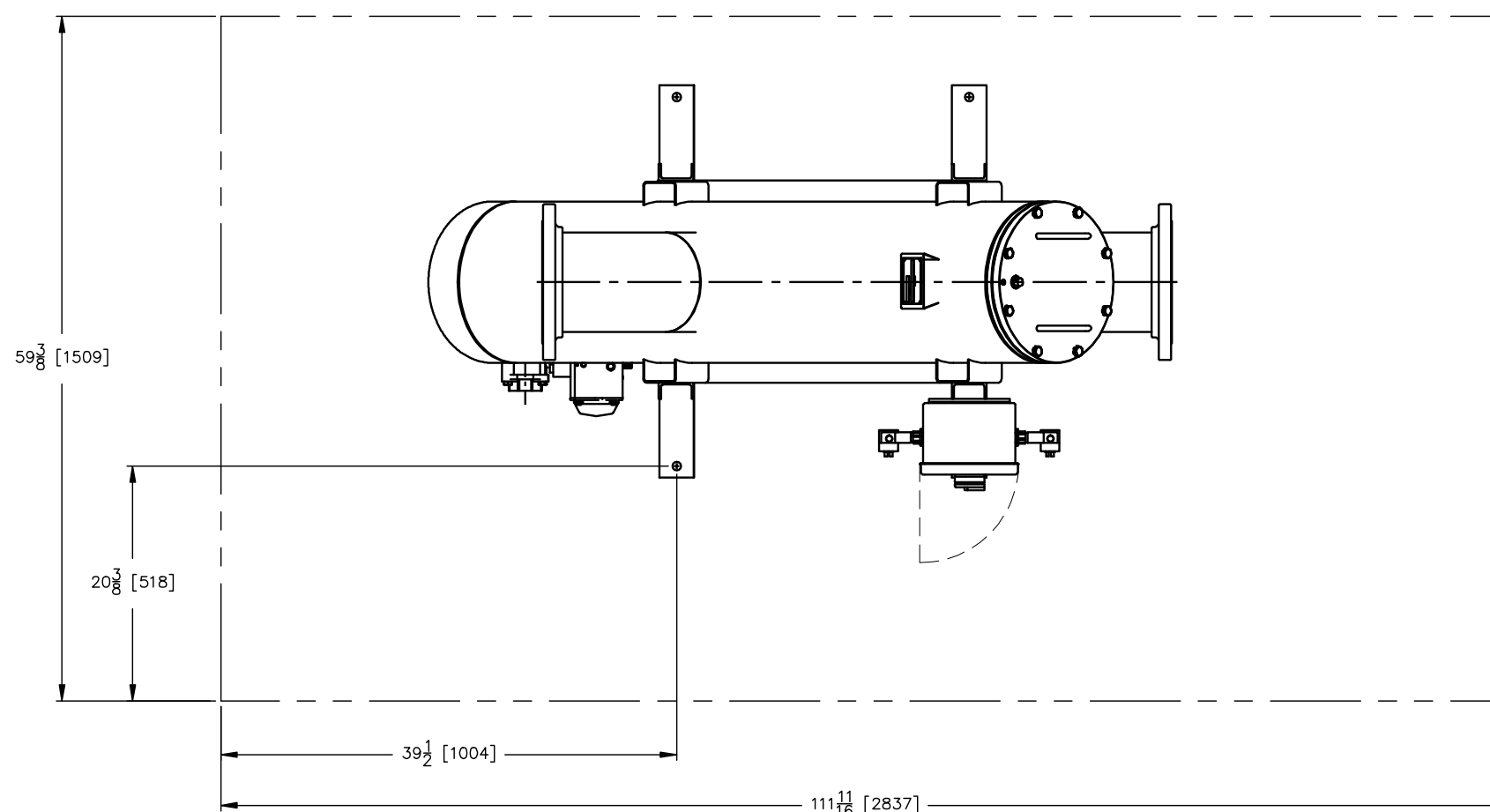
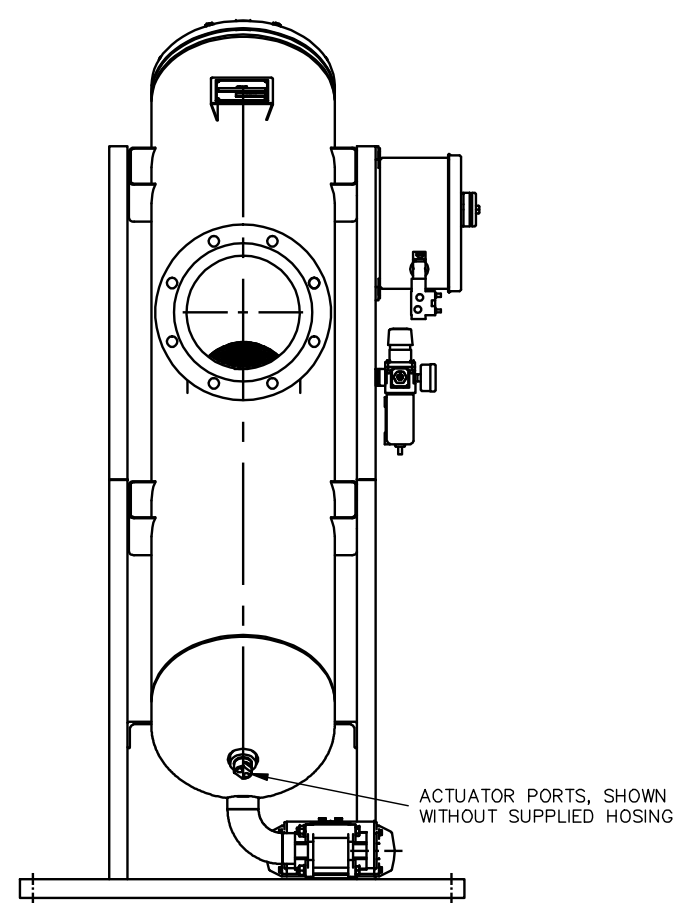


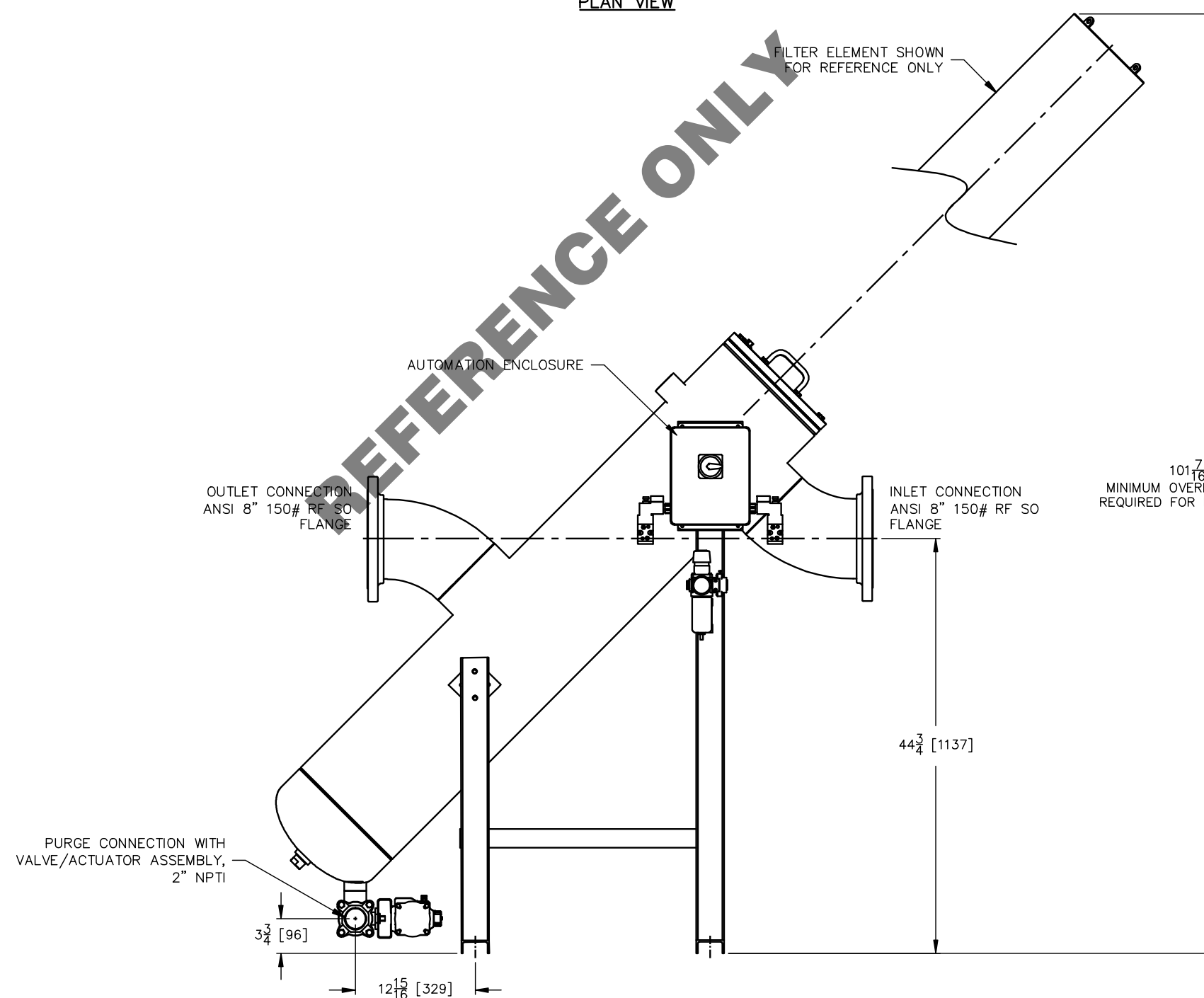
FOUNDATION PLAN



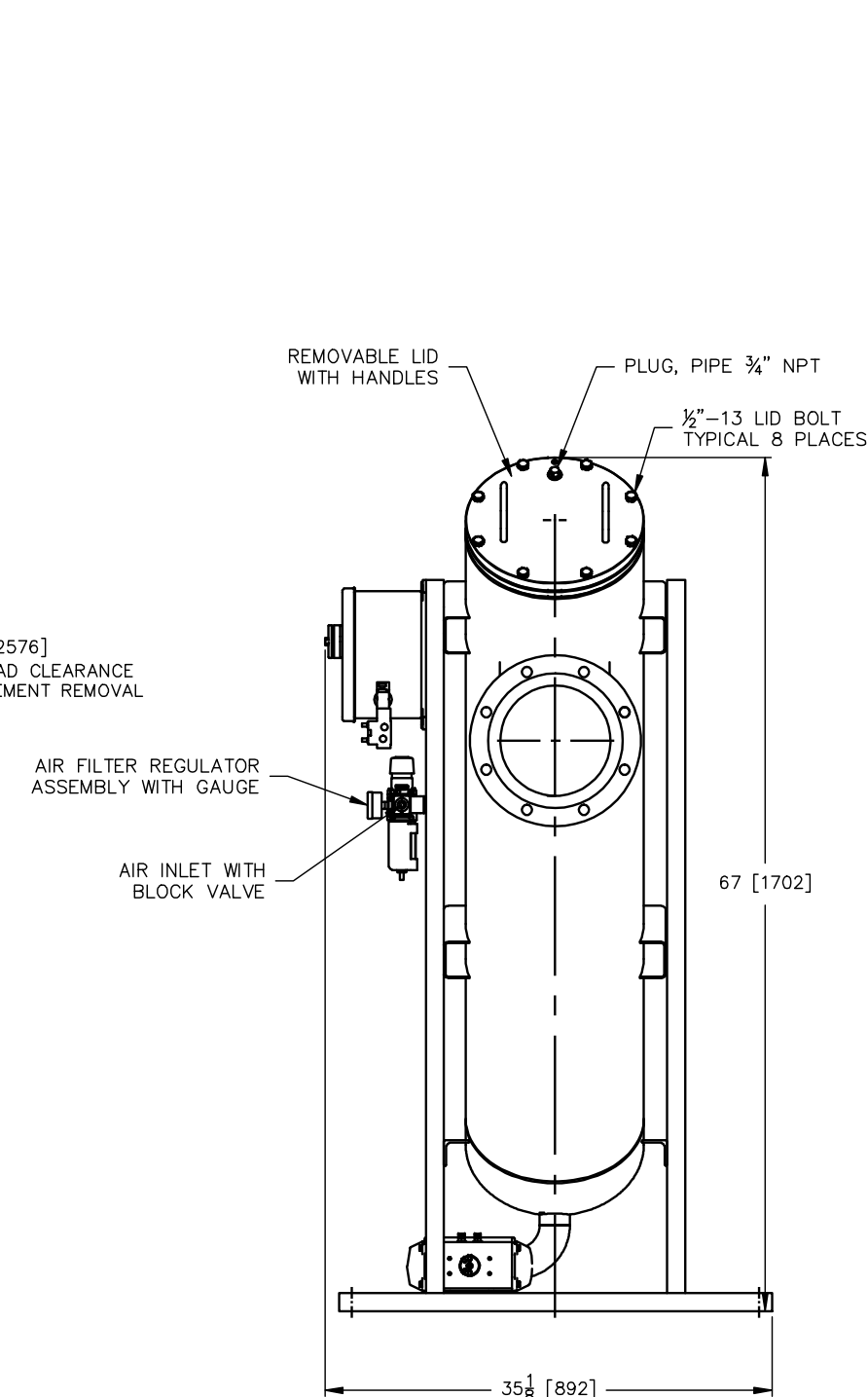
PLAN VIEW



LEFT SIDE
(OUTLET VIEW)



FRONT VIEW



RIGHT SIDE
(INLET VIEW)

NOTES:

- ALL DIMENSIONS ARE IN INCHES WITH MILLIMETER EQUIVALENTS SHOWN IN BRACKETS [].
- 1/4" NPT GAUGE PORTS ON INLET AND OUTLET CONNECTIONS COME PLUGGED AND GAUGES ARE OPTIONAL.
- SERVICE REQUIREMENTS:
AIR PRESSURE: 60 PSI [4.1 BAR] MINIMUM AT 5 CFM [141.5 L/min] OF CLEAN, DRY, NON-LUBRICATED AIR.
- DESIGN CONDITIONS:
MAXIMUM WORKING PRESSURE: 150 PSI [10.3 BAR].
MINIMUM WORKING PRESSURE: 30 PSI [2.1 BAR].
MAXIMUM DIFFERENTIAL PRESSURE: 110 PSID [7.6 BAR].
- MAXIMUM INTERNAL TEMPERATURE: 180° F [82° C].

EATON EATON FILTRATION DESIGN CENTER ISELIN, NEW JERSEY, USA PORTAGE, MICHIGAN, USA		THIS DRAWING AND ALL INFORMATION THEREON IS THE PROPERTY OF EATON CORPORATION. IT IS CONFIDENTIAL AND PROPRIETARY AND MUST NOT BE MADE PUBLIC OR COPIED IN WHOLE OR IN PART WITHOUT THE EXPRESS WRITTEN PERMISSION OF EATON. THIS DRAWING IS LOANED SUBJECT TO RETURN ON DEMAND, AND IS NOT TO BE USED DIRECTLY OR INDIRECTLY, IN ANY WAY DETRIMENTAL TO THE INTERESTS OF EATON FILTRATION, LLC.	
DRAWN BY C. IMANSE	TITLE MCS-1500 W/ANSI FLANGES	DATE 04/21/09	REV A
SCALE NONE	SIZE C	DWG FILENAME MCS-1500-SNG-GA000	
UNRESTRICTED			