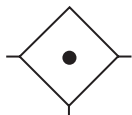
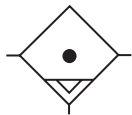


Coalescing Filter M28



Coalescing Filter



Auto Drain

B

Filters, Regulators, Lubricators

Features

- High-efficiency Removal of Water, Oil Aerosols, and Solid Particulate Contaminants Down to 0.01 ppm / wt with Minimum Pressure Drop
- Modern Design and Appearance
- Light Weight
- High Flow Capacity
- Bowl Guard
- Quick-disconnect Bowl

Specifications

| | | |
|----------------------------|-------------------|--------------------------------------|
| Flow Capacity* | | |
| 1.0 Micron Coalescing | | 68 SCFM (32 dm ³ /s, ANR) |
| 0.01 Micron Coalescing | | 42 SCFM (20 dm ³ /s, ANR) |
| Activated Carbon Adsorber | | 72 SCFM (34 dm ³ /s, ANR) |
| Maximum Supply Pressure | Plastic Bowl | 150 PSIG (10.3 bar)† |
| | Metal Bowl | 150 PSIG (10.3 bar)† |
| Operating Temperature | Plastic Bowl | -13° to 125°F (-25° to 52°C) |
| | Metal Bowl | -13° to 150°F (-25° to 65.5°C) |
| Port Size | NPT / BSPP-G | 3/8, 1/2, 3/4 |
| Bowl Capacity | 2.87 oz | |
| Standard Filtration Micron | (B) | 0.5, (C) 0.01 |
| | (D) | 0.003 ppm wt** |
| Weight | 1.10 lb. (0.5 kg) | |

* Inlet pressure 91.3 PSIG (6.3 bar). Pressure drop 3 PSIG (0.2 bar).

** Filtration temperature of 70°F (21°C) @ 100 PSIG (6.9 bar) with typical compressor lubricating oil and protected by Type C filter.

† Without pressure indicator — max. supply pressure for metal bowl version is 250 PSIG (17.2 bar)

“M” Series Coalescing Filters, with Type “B” 0.5 micron elements: All Wilkerson Type “M” Oil Removal (Coalescing) Filters with Type “B” 0.5 micron elements **exceed ISO Class 2** for maximum particle size and concentration of solid contaminants, and exceed Class 3 on maximum oil content (ppm/wt).

“M” Series Coalescing Filters, with Type “C” 0.01 micron elements: All Wilkerson Type “M” Oil Removal (Coalescing) Filters with Type “C” 0.01 micron elements **exceed ISO Class 1** for maximum particle size and concentration of solid contaminants, and exceed Class 1 on maximum oil content (ppm/wt).

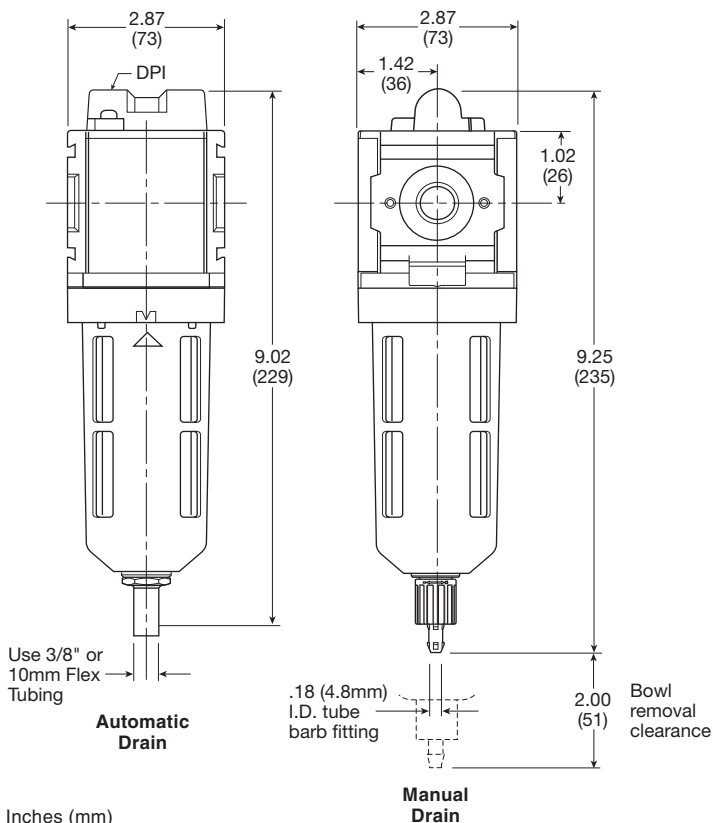
“M” Series Adsorption Filters, with Type “D” 0.003 micron activated carbon elements: All Wilkerson Type “M” adsorption filters with Type “D” 0.003 micron activated carbon elements **exceed ISO Class 1** on maximum oil content (ppm/wt).

Materials of Construction

| | | |
|----------------|---------------|--------------------|
| Body | Aluminum | |
| Body Cap | ABS | |
| Bowls | Plastic Bowl | Polycarbonate |
| | Metal Bowl | Aluminum |
| Filter Element | Type “B”, “C” | Borosilicate Cloth |
| | Type “D” | Activated Carbon |
| Seals | Nitrile | |
| Sight Gauge | Metal Bowl | Polyamide (Nylon) |

Notes: To optimize the life of the coalescing element, it is advisable to install a pre-filter with a 5 micron element upstream of the coalescing filter.

To optimize the life of the adsorber element, it is advisable to install a coalescing 0.01 micron filter upstream of the adsorber filter.



= "Most Popular"

Replacement Bowl Kits

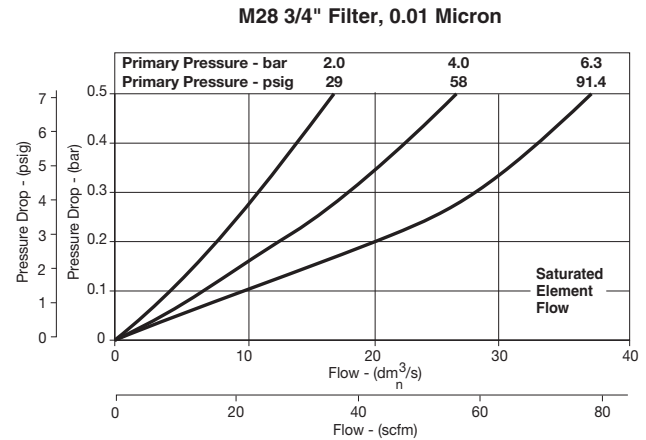
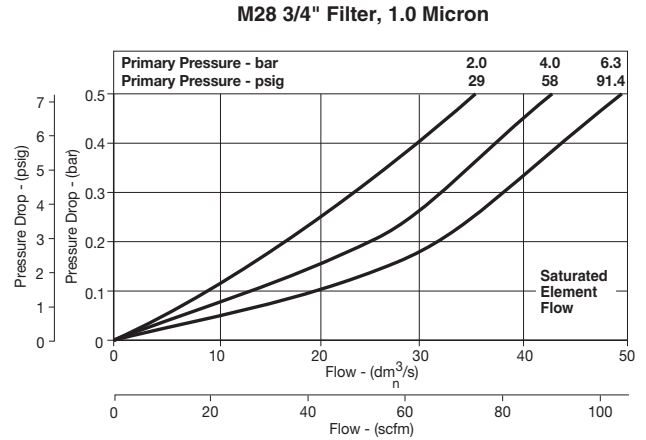
- Metal Bowl with Sight Gauge,
Automatic Float Drain..... GRP-96-645
- Metal Bowl with Sight Gauge, Manual Drain..... GRP-96-644
- Plastic Bowl –
Bowl Guard, Auto Drain GRP-96-643
- Bowl Guard, Manual Drain GRP-96-642

Replacement Element Kits

- Type "B", 0.5 Micron..... MSP-96-649
- Type "C", 0.01 Micron..... MTP-96-648
- Type "D", 0.003 Micron Activated Carbon MXP-96-651

Accessories

- Automatic Drain –
Fluorocarbon GRP-95-981
- Nitrile GRP-95-973
- DPI Replacement Kit..... DP8-01-000
- Electronic DPI Conversion Kit..... GRP-96-823
(Converts visual DPI to electronic DPI)
- Electronic DPI Replacement Kit GRP-96-824
- Manual Drain..... GRP-96-685
- Sight Gauge Kit..... GRP-96-825
- Wall Mounting Bracket–
L-Type GPA-96-605
- T-Type GPA-96-602



B
Filters, Regulators, Lubricators

Ordering Information

| Model Type | Port Size | Plastic Bowl / Bowl Guard / C Element | Plastic Bowl / Bowl Guard / B Element | Plastic Bowl / Bowl Guard / D Element | Metal Bowl / Sight Gauge / C Element | Metal Bowl / Sight Gauge / B Element | Metal Bowl / Sight Gauge / D Element |
|------------------------|-----------|---------------------------------------|---------------------------------------|---------------------------------------|--------------------------------------|--------------------------------------|--------------------------------------|
| Manual Drain | 3/8 | M28-03-CK00B | M28-03-BK00B | M28-03-DK00B | M28-03-CL00B | M28-03-BL00B | M28-03-DL00B |
| | 1/2 | M28-04-CK00B | M28-04-BK00B | M28-04-DK00B | M28-04-CL00B | M28-04-BL00B | M28-04-DL00B |
| | 3/4 | M28-06-CK00B | M28-06-BK00B | M28-06-DK00B | M28-06-CL00B | M28-06-BL00B | M28-06-DL00B |
| Automatic Drain | 3/8 | M28-03-CG00B | M28-03-BG00B | N/A | M28-03-CH00B | M28-03-BH00B | N/A |
| | 1/2 | M28-04-CG00B | M28-04-BG00B | N/A | M28-04-CH00B | M28-04-BH00B | N/A |
| | 3/4 | M28-06-CG00B | M28-06-BG00B | N/A | M28-06-CH00B | M28-06-BH00B | N/A |

Options - To order an option supplied with the unit model, add the appropriate coded suffix letter in the designated position of the model number.