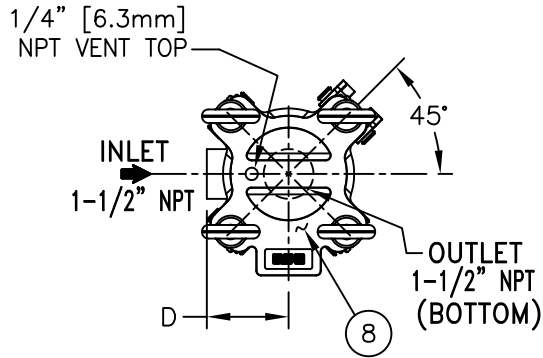


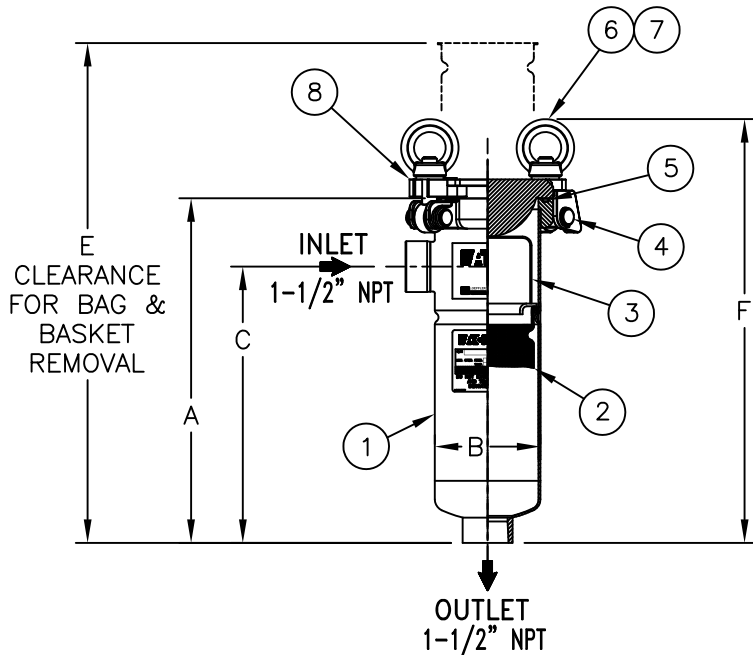
ITEM NUMBER	BAG SIZE	PIPE SIZE (NOM.)	A IN. / MM	B IN. / MM	C IN. / MM	D IN. / MM	E IN. / MM	F IN. / MM	WEIGHT LBS / KGS
SBF0101SD15TKD	03	1-1/2" / [38.1]	14-11/16 / 373.0	4-1/2 / 114.3	11-13/16 / 300.0	3-1/2 / 88.9	23 / 584.2	18-1/8 / 460.3	24 / 10.8
SBF0102SD15TKD	04	1-1/2" / [38.1]	20-3/4 / 527.0	4-1/2 / 114.3	17-7/8 / 454.0	3-1/2 / 88.9	34-1/2 / 876.3	24-1/4 / 615.9	26 / 11.7

REVISIONS

REV	DESCRIPTION	BY	ECO	DATE
H	REVISED BORDER	FJM	0073817	07/19/12



NO.	PART NAME	MATERIAL
1	BODY	316 STAINLESS STEEL
2	RESTRAINER BASKET P/N L0001223 03 SIZE P/N L0001224 04 SIZE	316 STAINLESS STEEL
3	BAG HOLD DOWN	316 STAINLESS STEEL
4	PIN	STAINLESS STEEL
5	O-RING P/N 811351	BUNA-N
6	EYE BOLT	STEEL, ZINC PLATED
7	EYE NUT	STEEL, ZINC PLATED
8	COVER	316 STAINLESS STEEL



NOTES:

- INLET/OUTLET "NPT" THREADED CONNECTIONS PER ANSI B1.20.1.
- MAWP: 300 PSI @ 225 °F
(20.6 BAR @ 107.2 °C)
- DIMENSIONS SHOWN IN [] ARE IN MILLIMETERS AND FOR REFERENCE ONLY. ACCEPTANCE OF THIS PART WILL BE BASED ON "INCH" UNITS & TOLERANCES ONLY.

TOLERANCES (UNLESS OTHERWISE SPECIFIED)	
DECIMAL:	.X ± .030 .XX ± .010 .XXX ± .005
FRACTIONAL:	± 1/16
NOZZLE Ø TO FLOOR:	1/8" < 4' > 1/4"
FACE TO FACE:	1/8" < 4' > 1/4"
ANGULAR:	± 1°
FLANGES (H/V):	± 1/2"
VESSEL OVERALL HT:	1"

REVIEWED FOR CLASSIFICATION PER PR-4
 CRITICAL SIGNIFICANT

CUSTOMER INFO	
NAME	
P.O. NO.	
S.O. NO.	
QUANTITY	
PART NO.	SEE ABOVE

PART NUMBER: SBF0101SD15TKD VESSEL CODE: SBF-0103-AB21-015N-NS-B-NNS		PART NUMBER: SBF0102SD15TKD VESSEL CODE: SBF-0104-AB21-015N-NS-B-NNS	
DRAWN BY	FJM	EATON FILTRATION, LLC DESIGN CENTER ISELIN, NEW JERSEY, USA • PORTAGE, MICHIGAN, USA	
SCALE	NOT TO SCALE		
RESTRICTION	RESTRICTED	TITLE	MINI SIDELINE (SBF) FILTER VESSEL 1-1/2" NPT THREADED CONN. STAINLESS STEEL
SHEET	1 OF 1	DATE	08/27/99
PROJECTION	THIRD ANGLE	SIZE	A
		DWG FILENAME	SBF10XSKD
		REV	H

EATON CORPORATION - CONFIDENTIAL AND PROPRIETARY NOTICE TO PERSONS RECEIVING THIS DRAWING AND/OR TECHNICAL INFORMATION
 THIS DOCUMENT, INCLUDING THE DRAWING AND INFORMATION CONTAINED THEREON IS CONFIDENTIAL AND IS THE EXCLUSIVE PROPERTY OF EATON AT ANY TIME. BY TAKING THE POSSESSION OF THIS DOCUMENT THE RECIPIENT ACKNOWLEDGES AND AGREES THAT THIS DOCUMENT CANNOT BE USED IN ANY MANNER ADVERSE TO THE INTEREST OF EATON AND THAT NO PORTION OF THIS DRAWING MAY BE COPIED OR OTHERWISE REPRODUCED WITHOUT THE PRIOR WRITTEN CONSENT OF EATON, IN THE CASE OF CONFLICTION CONTRACTUAL PROVISIONS, THIS NOTICE SHALL GOVERN THE STATUS OF THIS DOCUMENT.
 2012 EATON CORPORATION - ALL RIGHTS RESERVED.