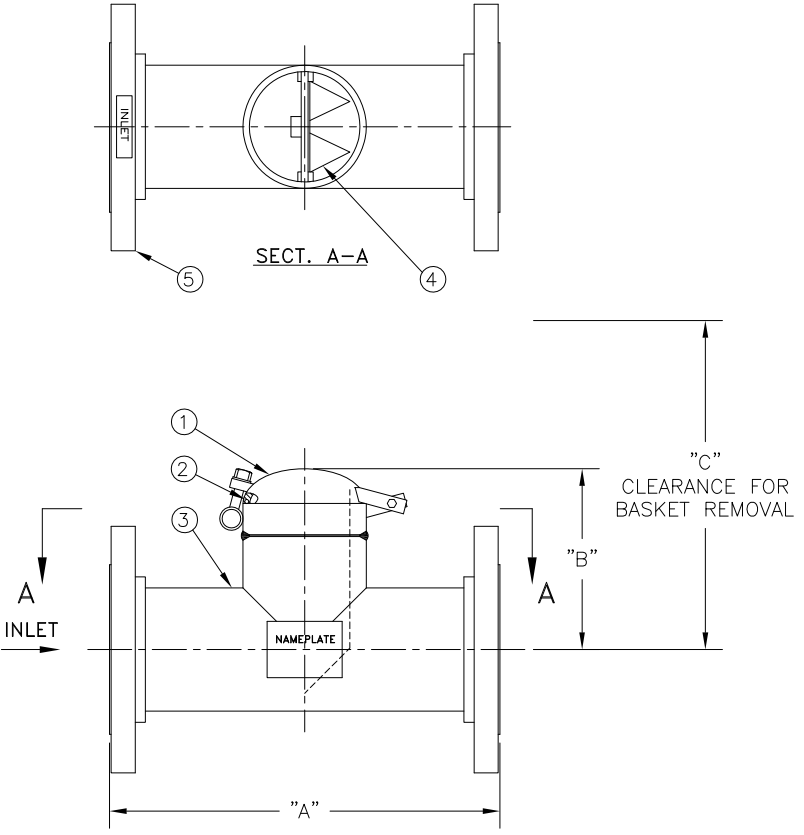


PIPE SIZE (NOMINAL)	DIMENSIONS			APPROX. WEIGHT (DRY) LBS. (KGS)	PART NO.
	"A"	"B"	"C"		
	IN. (MM)	IN. (MM)	IN. (MM)		
6 (150mm)	18.38 / 467	9.25 / 235	21.00 / 533	95 / 43.1	ST091060BR2TA
8 (200mm)	22.12 / 562	10.50 / 267	25.00 / 635	145 / 65.8	ST091080BR2TA
10 (250mm)	25.12 / 638	13.00 / 330	30.00 / 762	215 / 97.5	ST091100BR2TA
12 (300mm)	29.12 / 740	15.50 / 394	37.00 / 940	325 / 147.4	ST091120BR2TA
14 (350mm)	32.00 / 813	17.12 / 435	40.00 / 1016	510 / 231.3	ST091140BR2TA
16 (400mm)	34.00 / 864	18.62 / 473	43.00 / 1092	625 / 283.5	ST091160BR2TA
18 (450mm)	38.00 / 965	21.12 / 536	50.00 / 1270	790 / 358.3	ST091180BR2TA
20 (500mm)	41.38 / 1051	23.62 / 600	56.00 / 1422	945 / 428.6	ST091200BR2TA
24 (600mm)	46.00 / 1168	27.12 / 689	65.00 / 1651	1435 / 650.9	ST091240BR2TA


REVISIONS				
REV	DESCRIPTION	BY	ECO	DATE
D	UPDATE TITLE BLOCK	FM	0104870	11/21/2014



NO.	PART NAME	MATERIAL
1	T-BOLT CLOSURE	STAINLESS STEEL
2	O-RING	BUNA-N
3	BODY	STAINLESS STEEL
4	BASKET	316 SSSL
	PERF. / MESH	
5	FLANGE	STAINLESS STEEL

- NOTES:
1. STRAINER IS DESIGNED AND FABRICATED IN ACCORDANCE WITH ASME B31.1 POWER PIPING CODE.
 2. ALL DIMENSIONS ON IN INCHES / MM.
 3. ALL FLANGES CONFORM TO ASME STANDARD.
 4. DESIGN PRESSURE: 150 PSIG @ 150°F (10.3 BAR @ 65.6°C)

CUSTOMER INFO	
NAME	
P.O. NO.	
TAG NO.	
S.O. NO.	
PART NO.	SEE TABLE

DRAWN BY FM		 HYDRAULICS GROUP FILTRATION DIVISION GALESBURG, MICHIGAN, USA • TINTON FALLS, NEW JERSEY, USA			
SCALE AS DRAWN					
RESTRICTION RESTRICTED		TITLE MODEL 91 TEE STRAINER QUICK OPEN COVER SIZES 6" TO 24" 150#RF FLANGE STAINLESS STEEL			
SHEET 1 OF 1		DATE 4/17/98	SIZE A	DWG FILENAME SD091QC14	REV D

EATON CORPORATION - CONFIDENTIAL AND PROPRIETARY NOTICE TO PERSONS RECEIVING THIS DRAWING AND/OR TECHNICAL INFORMATION. THIS DOCUMENT, INCLUDING THE DRAWING AND INFORMATION CONTAINED THEREON IS CONFIDENTIAL AND IS THE EXCLUSIVE PROPERTY OF EATON AT ANY TIME. BY TAKING THE POSSESSION OF THIS DOCUMENT THE RECIPIENT ACKNOWLEDGES AND AGREES THAT THIS DOCUMENT CANNOT BE USED IN ANY MANNER ADVERSE TO THE INTEREST OF EATON AND THAT NO PORTION OF THIS DRAWING MAY BE COPIED OR OTHERWISE REPRODUCED WITHOUT THE PRIOR WRITTEN CONSENT OF EATON, IN THE CASE OF CONFLICTING CONTRACTUAL PROVISIONS, THIS NOTICE SHALL GOVERN THE STATUS OF THIS DOCUMENT.
2003 EATON CORPORATION - ALL RIGHTS RESERVED.