

Plate and Frame Filter BECO COMPACT™ PLATE A600

Plate and Frame Filtration System for Particle, Sterile, and Pre-Coating Filtration

BECO COMPACT PLATE A600 depth filtration system is for liquids with large variability. The system utilizes different filter elements and a wide range of different depth filter sheets for applications in the biotechnology, chemical, cosmetics, and food industries.

BECO COMPACT PLATE A600 depth filtration system is a premium multi-sheet filtration system.



Special Features

- **Highly flexible** filter area from 7.10 to 745.94 ft² (0.66 – 69.30 m²) allows for customizable solutions for individual applications.
- **Variable application options** for the use of filter plates, feeding plates and cake frames. The filter can be used as sheet filter, precoating filter or as a combination of both.
- **Easy handling** and **good cleanability** thanks to ergonomic design, smooth surfaces and open support grid of filter plates.
- **Low drip loss** due to the hydraulic tightening unit with automatic subsequent pressing; Hydraulic unit available electrically or pneumatically operated.
- **Wide range of accessories** such as fittings and riser pipes complement the system to a unit ready for connection.

Other designs and further components for expansion to complete systems are available depending on requirements

Technical Data

Operating pressure:	max. 87 psi (600 kPa/6bar)
Differential pressure:	max. 58 psi (400 kPa/4 bar)
Operating temperature:	max. 249,8 °F (121 °C), depending on the filter plates used
Filter area per sheet:	3.55 ft ² (0.33 m ²)

Materials

Product contacting parts:	
Filter plates:	Stainless steel AISI 316L
	Noval
Filter frames:	Stainless steel AISI 316L
Chassis:	Stainless steel AISI 304 or AISI 316L
Gaskets:	Silicone

Connections

Inlet:	
Chassis size 1 + 2 + 3:	DN 50, DIN 11851
Chassis size 3 + 4:	DN 65, DIN 11851
Outlet:	
Chassis size 1 + 2 + 3:	DN 50, DIN 11851
Chassis size 3 + 4:	DN 65, DIN 11851

Other Designs

Flange connections DIN 2633, Tri-Clamp or according to requirements

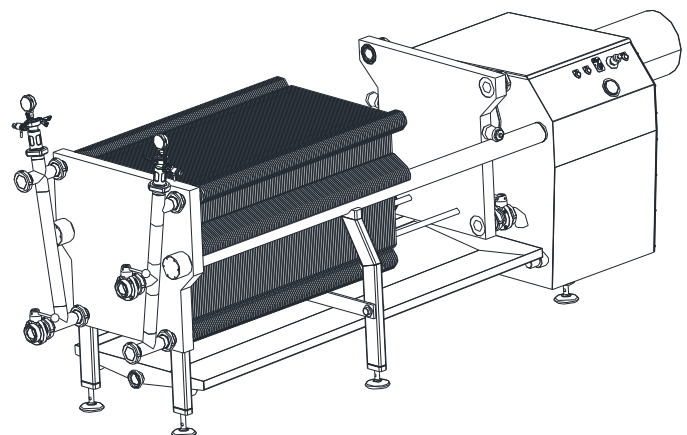
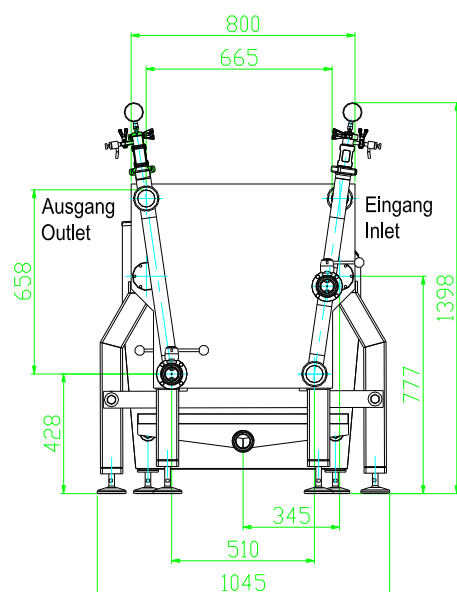
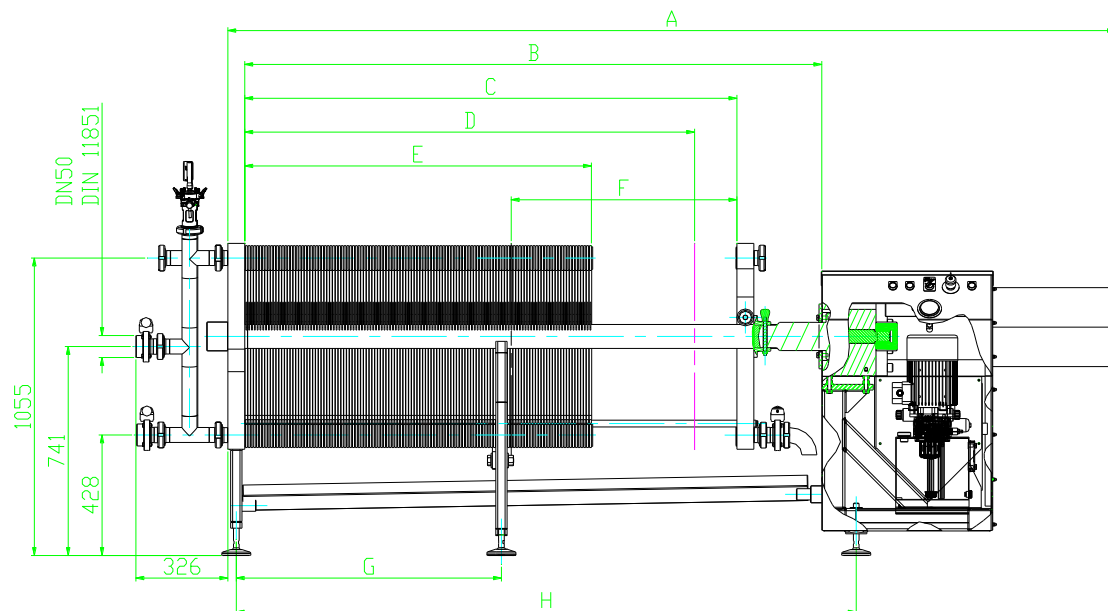
Design	Max. filter area		Solids space*		Chassis size	Filter/feeding elements or cake frames	Depth filter sheets 23.62 x 24.21 in (600 x 615 mm)	Weight	
	ft ²	(m ²)	gal	(l)				qty.	≈ lb
A600 SF	277.10	(25.74)	-		1	38/39	78	3,913	(1,775)
with stainless steel elements	447.30	(41.58)	-		2	62/63	126	4,475	(2,030)
0.35" (9 mm)	582.54	(54.12)	-		3	81/82	164	5,225	(2,370)
	745.94	(69.30)	-		4	104/105	210	5,930	(2,690)
A600 SF	198.92	(18.48)	-		1	27/28	56	3,329	(1,510)
with NOVAL filter plates	305.48	(28.38)	-		2	42/43	86	1,675	(3,693)
14.5 mm	430.13	(39.96)	-		3	55/56	112	1,830	(4,034)
	511.50	(47.52)	-		4	71/72	144	2,005	(4,420)
A600 ASF	277.10	(25.74)	13.4	(50.7)	1	38/39	78	3,693	(1,675)
with cake frames	447.30	(41.58)	21.6	(81.9)	2	62/63	126	4,233	(1,920)
0.35" (9 mm)	582.54	(54.12)	28.2	(106.6)	3	81/82	164	4,740	(2,150)
	745.94	(69.30)	36.1	(136.5)	4	104/105	210	5,324	(2,415)
A600 ASF	170.50	(15.84)	41.7	(158)	1	23/24	48	3,704	(1,680)
with cake frames	277.10	(25.74)	67.9	(257)	2	38/39	78	4,321	(1,960)
0.98" (25 mm)	362.31	(33.66)	88.8	(336)	3	50/51	102	4,839	(2,195)
	461.77	(42.90)	113.3	(429)	4	64/65	130	5,445	(2,470)
A600 ASF	127.88	(11.88)	54.9	(208)	1	17/18	36	3,682	(1,670)
with cake frames	198.92	(18.48)	85.3	(323)	2	27/28	56	4,222	(1,915)
1.57" (40 mm)	262.85	(24.42)	112.8	(427)	3	36/37	74	4,729	(2,145)
	341.00	(31.68)	146.4	(554)	4	47/48	96	5,335	(2,420)

* usable solids volume

Filter Elements

	Width	Cake volume	Weight
Filter plate	0.35 in (9 mm)	-	14.33 lb (6.5 kg)
Filter plate	0.57 in (14.5 mm)	-	6.92 lb (3.1 kg)
Feeding plate	0.35 in (9 mm)	-	14.33 lb (6.5 kg)
Cake frame	0.35 in (9 mm)	0.34 gal (1.30 l)	6.17 lb (2.8 kg)
Cake frame	0.98 in (25 mm)	1.74 gal (6.60 l)	18.74 lb (8.5 kg)
Cake frame	1.57 in (40 mm)	3.05 gal (11.55 l)	27.56 lb (12.5 kg)

Specification		Chassis size 1	Chassis size 2	Chassis size 3	Chassis size 4
Length of chassis, cpl.	A	93.86 in (2,384 mm)	123.90 in (3,147 mm)	143.46 in (3,644 mm)	167.00 in (4,242 mm)
Free space chassis	B	57.00 in (1,448 mm)	80.55 in (2,046 mm)	100.12 in (2,543 mm)	123.66 in (3,141 mm)
Max. package length incl. workspace	C	57.00 in (1,147 mm)	68.70 in (1,745 mm)	88.27 in (2,242 mm)	111.81 in (2,840 mm)
Max. package length incl. depth filter sheets	D	39.25 in (997 mm)	62.80 in (1,595 mm)	85.31 in (2,167 mm)	108.86 in (2,765 mm)
Filter package, grouted	E	30.28 in (769 mm)	44.45 in (1,129 mm)	65.71 in (1,669 mm)	83.82 in (2,129 mm)
Stroke hydraulic cylinder	F	23.62 in (600 mm)	31.50 in (800 mm)	31.50 in (800 mm)	39.37 in (1,000 mm)
Distance supporting feet	G	---	---	51.97 in (1,320 mm)	65.35 in (1,660 mm)
Distance feet	H	63.00 in (1,600 mm)	86.54 in (2,198 mm)	106.10 in (2,695 mm)	129.65 in (3,293 mm)
Connections	DN X	50	50	50 / 65	65



North America
44 Apple Street
Tinton Falls, NJ 07724
Toll Free: 800 656-3344
(North America only)
Tel: +1 732 212-4700

Europe/Africa/Middle East
Auf der Heide 2
53947 Nettersheim, Germany
Tel: +49 2486 809-0

Friedensstraße 41
68804 Altlußheim, Germany
Tel: +49 6205 2094-0

An den Nahewiesen 24
55450 Langenlonsheim, Germany
Tel: +49 6704 204-0

China
No. 3, Lane 280,
Linhong Road
Changning District, 200335
Shanghai, P.R. China
Tel: +86 21 5200-0099

Singapore
100G Pasir Panjang Road #07-08
Singapore 118523
Tel: +65 6825-1668

Brazil
Rua Clark, 2061 - Macuco
13279-400 - Valinhos, Brazil
Tel: +55 11 3616-8400

**For more information, please
email us at filtration@eaton.com
or visit www.eaton.com/filtration**

EN
1 A.26.22.4
03-2018

© 2018 Eaton. All rights reserved. All trademarks and registered trademarks are the property of their respective owners. All information and recommendations appearing in this brochure concerning the use of products described herein are based on tests believed to be reliable. However, it is the user's responsibility to determine the suitability for his own use of such products. Since the actual use by others is beyond our control, no guarantee, expressed or implied, is made by Eaton as to the effects of such use or the results to be obtained. Eaton assumes no liability arising out of the use by others of such products. Nor is the information herein to be construed as absolutely complete, since additional information may be necessary or desirable when particular or exceptional conditions or circumstances exist or because of applicable laws or government regulations.



Powering Business Worldwide