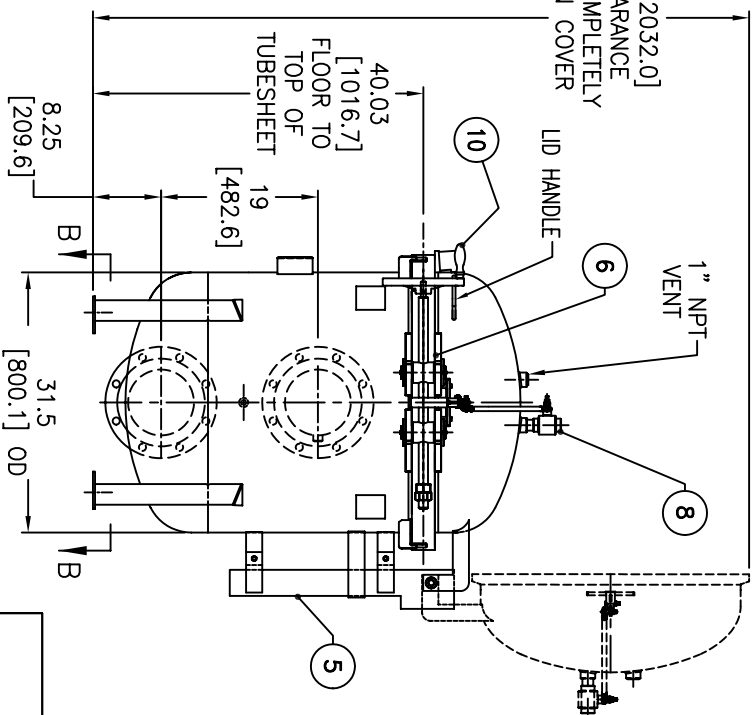
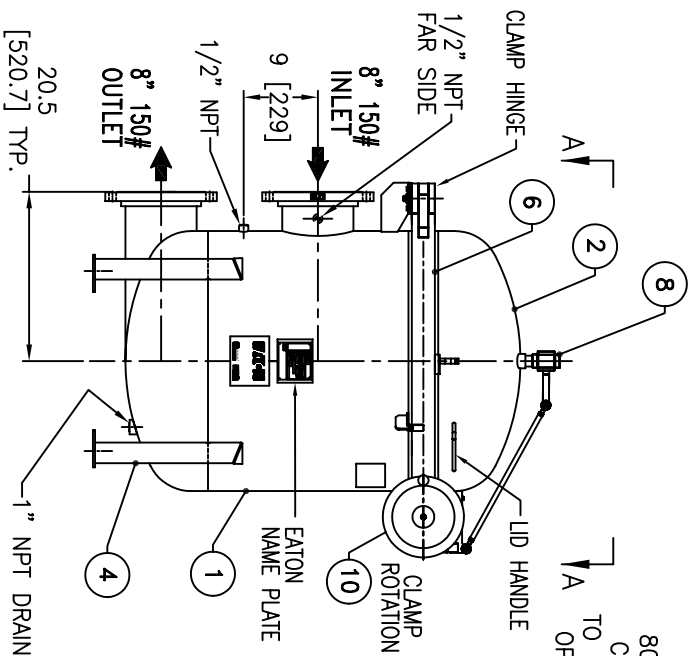


(4) .75 [19.0] Ø BOLT HOLES
LOCATED ON 30.71 [780.0] B.C.D.



ITEM	PART NAME	MATERIAL
1	BODY	SA240-304/304L
2	COVER	SA240-304/304L
3	O-RING	BUNA-N
4	LEGS	STAINLESS STEEL
5	SPRING ASSISTED MECHANISM	STAINLESS STEEL
6	CLAMP ASSEMBLY	STAINLESS STEEL
7	FILTER BAG HOLD DOWN	304 SS
8	1" VENT VALVE ASSY.	304 SS
9	SPINDLE BOLT	SA193-87 NEDOX COATED
10	SPINDLE HANDLE	ALUMINUM (BLACK COATED)

NOTES:

1. UNITS ARE DESIGNED, FABRICATED & U STAMPED IN ACCORDANCE WITH ASME SECT. VIII, DIV. 1 BOILER & PRESSURE VESSEL CODE, IN COMPLIANCE TO LATEST ADDENDA.
2. INLET/OUTLET FLANGE CONNECTIONS PER ANSI B16.5 (10.3 BAR @ 121.1°C)
3. DESIGN PRESSURE: 150 PSIG @ 250°F
4. ALL DIMENSIONS ARE IN INCHES / [mm]
5. ALL BOLT HOLES STRADDLE NATURAL CENTERLINE.
6. APPROX. WEIGHT (DRY): 970 lbs. (439 kgs.)
6. APPROX. SHIPPING WEIGHT 1100 lbs. (498 kgs.)

CERTIFIED FOR:

P.O. NO.:
REG. NO.:
QUOTE NO.:
TAG NO.:
VESSEL CODE: V-MBF-0802-BB10-080A-UT-11SE-100P
PART NUMBER: F3AV0800200L304

EATON FILTRATION, LLC

900 FAIRMOUNT AVENUE, ELIZABETH, NEW JERSEY 07207



NAME: 8" MBF-0802 FILTER VESSEL
8"-150# INLET/TANGENTIAL OUTLET
SPINDLE TYPE-SE (SS-304)

DATE: 06/20/06 CERT. LH DATE: 06/20/06

SE0808TSL304

REV A

ELECTRONIC FILE NAME: SE0808TSL304.DWG
REF. ECR E023 DATE 06/20/06

UNAUTHORIZED USE, MANUFACTURE OR REPRODUCTION IN WHOLE OR IN PART IS PROHIBITED. DRAWING, DESIGN AND OTHER DISCLOSURES PROPERTY OF EATON FILTRATION, LLC

DRAWN FJM DATE 06/20/06
SIZE DWG NO. A
DATE 06/20/06