

## Type 1132 – 2½", 3½", 4", 4½" & 6" Differential Gauge



- *Small convoluted diaphragm actuator*
- *Stainless steel case*
- *Ranges from 1 psid-60 psid*
- *Static pressures up to 1500 psi*
- *Aluminum<sup>(3)</sup>, brass or stainless steel bodies<sup>(1)</sup>*
- *Buna-N Diaphragm & O-rings (others available)*
- *Superior magnets for smoother power motion*
- *Switch outputs available*
- *5-year warranty*

The Type 1132 uses a convoluted-diaphragm design with no migration of the process media. It is recommended for lower differential and high static pressures, up to 1500 psi. Body materials are available in Aluminum, Brass and Stainless Steel, with Buna, Viton or EPDM seals.<sup>(2)</sup>

#### NOTES:

- (1) Not for use with incompatible media.
- (2) Other wetted parts include stainless steel spring, Teflon piston and ceramic magnet.
- (3) Aluminum bodies not to be used with water or corrosive applications.

#### PRODUCT SPECIFICATIONS

<b>Model Number:</b>	1132
<b>Accuracy (Ascending):</b>	±2%
<b>Migration:</b>	Zero
<b>Ranges:</b>	0-1 psid to 60 psid
<b>Maximum Static Pressure:</b>	1500 psi (all)
<b>Actuator:</b>	Convoluted diaphragm
<b>Case Material:</b>	Stainless steel
<b>Dial Size:</b>	2½" (25), 3½" (35), 4" (40), 4½" (45), 6" (60)
<b>Maximum Process Temp.:</b>	175°F/80°C
<b>Body Materials:</b>	Aluminum (F), brass (A), stainless steel (S)
<b>O-Rings/Diaphragm:</b>	Buna-N
<b>Connection Size (Female):</b>	¼ NPT (25)
<b>Connection Location:</b>	In-Line (S), Lower (L), Back (B)
<b>Window:</b>	Glass

#### PRODUCT OPTIONS

<b>Switches<sup>(1)</sup>:</b>	Available
<b>¼ NPT adaptor:</b>	XGE Available
<b>Front Flange:</b>	XFF Available
<b>Viton Diaphragm &amp; O-Rings:</b>	XVD Available
<b>EPDM Diaphragm &amp; O-Rings:</b>	XEM Available
<b>Fill<sup>(2)</sup>:</b>	
Glycerin	L Standard
Silicone	XGV Available
<b>Window:</b>	
Plastic	XPD Available
<b>Pipe Mounting Bracket:</b>	XTM In-line (only)

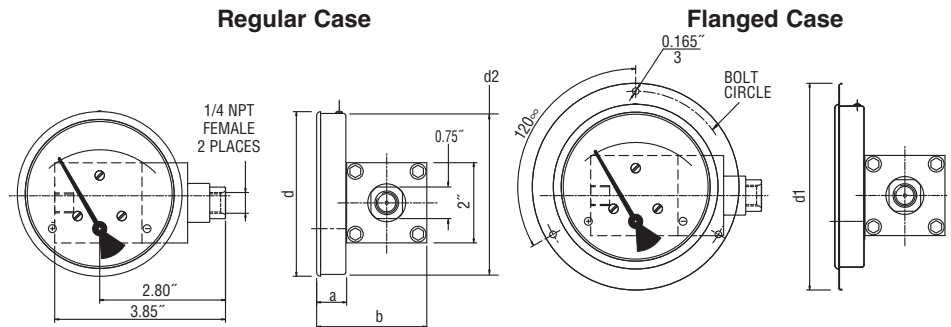
(1) Applicable to switches:  
 XV1 – 1 SPST with DIN plug  
 XV2 – 1 SPST with terminal strip  
 XV3 – 2 SPST with DIN plug  
 XV4 – 2 SPST with terminal strip  
 XV5 – 1 SPDT with DIN plug  
 XV6 – 1 SPDT with terminal strip  
 XV7 – 2 SPDT with DIN plug  
 XV8 – 2 SPDT with terminal strip  
 Adjustable from 30-100% of range  
 Preset at 90% ascending  
 Terminal or DIN connected switches are not available with back connection

(2) Liquid fill has an effect on accuracy that varies with range and temperature. Liquid filling may be required only in some very severe applications.

**HOW TO ORDER:**

Dial Size: 2½", 3½", 4", 4½" & 6"	25	1132	FD	25S	XXX	30#
Case Type Number: 1132						
Body Material						
Connection Size: ¼ NPTF						
Connection Location: In-line (S), Lower (L), Back (B)						
Optional Features: see above						
Standard Pressure Range						

## Type 1132 – 2½", 3½", 4", 4½", & 6" Differential Gauge



**Type 1132 Dimension Drawing**

Dial Size	a	b	d	d'	d <sup>2</sup>	Bolt Circle
2.5"	0.75"	2.74"	2.59"	3.66"	2.55"	3.26"
3.5"	0.75"	2.74"	3.26"	4.29"	3.22"	3.89"
4"	0.75"	2.74"	4.10"	5.15"	4.01"	4.76"
4.5"	0.75"	2.74"	4.71"	5.74"	4.60"	5.35"
6"	0.75"	2.74"	6.07"	7.12"	6.00"	6.73"

**Type 1132 – Standard Ranges**

psi	0-1		0-5	0-8		0-15	0-20	0-25	0-30		0-40	0-50	0-60
in. H <sub>2</sub> O	0-25	0-100		0-200		0-400	0-500						
kPa		0-25		0-50	0-75	0-100		0-160	0-200	0-250	0-300		0-400
kg/cm <sup>2</sup> -bar	0-0.075	0-0.25		0-0.5	0-0.75	0-1		0-1.6	0-2	0-2.5	0-3		0-4
mbar	0-75	0-250											

### Switch Ratings:

#### SPST SWITCH

##### Specifications:

Contact Rating  
10 VA ac (rms) or dc (max)  
Switching Current  
0.5 Amp ac (rms) or dc (max)  
Switch Voltage  
100 Vac/Vdc (max)

#### SPDT SWITCH

##### Specifications:

Contact Rating  
3 VA ac (rms) or dc (max)  
Switching Current  
0.3 Amp ac (rms) or dc (max)  
Switch Voltage  
30 Vac/Vdc (max)