

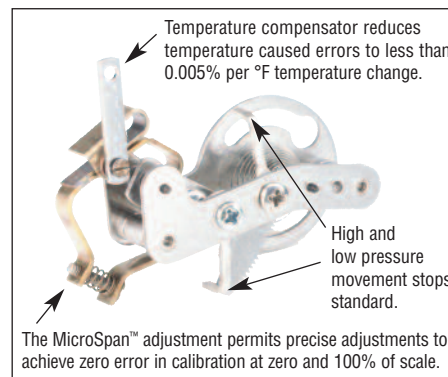
Type 1082 Test Gauge - XAY Case Option



FEATURES

- *Temperature-compensated movement significantly reduces temperature error*
- *MicroSpan™ adjustment for ease in span calibration*
- *Hydraulically staked movement with Teflon-coated gears and bearings improves stability*
- *Externally adjustable dial (standard case)*
- *White aluminum dial, black numbers with polished mirror band*

This Ashcroft® test gauge case style features a solid-front aluminum case with a threaded polypropylene ring. The dial has a polished mirror band for pointer reflection to prevent parallax error and is available in 4½", 6" dial sizes in both lower and back connection. Pointer is a balanced-friction adjustable design with red knife edge tip for easy reading.



SPECIFICATIONS

Model Number:	1082-XAY
Accuracy:	0.25/ASME B40.100, Grade 3A
Ranges:	Vac., compound, 10,000 psi
Dial Size:	4½" 6"
Case Material:	Aluminum, solid front, black epoxy coated
Ring:	Threaded black polypropylene
Tube and Socket Material:	- (A) Phosphor bronze tube, brass socket - (P) Monel tube and socket
Movement:	400 series SS rotary design, Teflon ⁽¹⁾ S coated bearings, Micrometer span adjustment, Bimetallic temp. compensator (.005%/per °F max. temp. error)
Connection Location:	Lower or back for flush mounting ⁽²⁾
Connection Size:	¼" or ½" NPT
Window Material:	Glass
Pointer:	Black-painted aluminum with red-painted, knife-edge tip
Dial:	Externally adjustable aluminum, black numerals with polished mirror band
Weather Proof:	No

OPTIONS

Acrlic window: **XPD**
 Safety glass window: **XSG**
 Throttling devices: **XTS**
 Carrying handle: **XCH**
 Carrying case: **2505**

(1) Registered TM of DuPont Co.

(2) Cases supplied with studs for flush mounting.

HOW TO ORDER:

From Table A, Dial Size: 4½" : 45 | 1082 | P* | 02L | XAY | 0/2,000 psi

From Table A, Case Type Number: 1082 _____

From Table B, Bourdon tube and socket: _____

From Table B, Connection: ¼ NPT (02), ½ NPT (04), Lower (L), Back (B) _____

From Optional Features: _____

From Range Table: 2000 psi _____

(*) "S" denotes solid front case design

Type 1082 Test Gauge - XAY Case Option

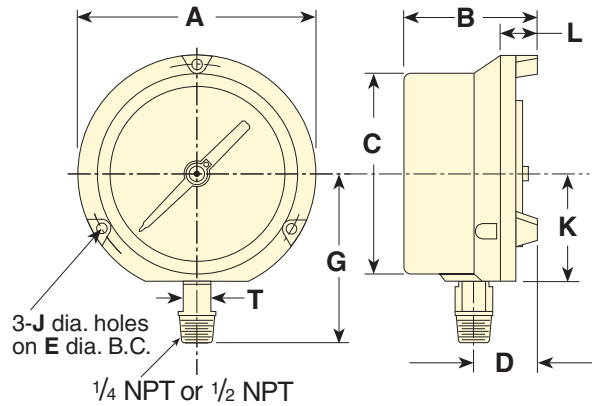
STANDARD RANGES

psi	Minor Graduations			
	4½"	6"		
Pressure				
0/15	0.05	0.05		
0/30	0.1	0.1		
0/60	0.2	0.2		
0/100	0.5	0.2		
0/150	0.5	0.5		
0/200	0.5	0.5		
0/300	1	1		
0/400	1	1		
0/600	2	2		
0/800	2	2		
0/1000	5	2		
0/1500	5	5		
0/2000	10	5		
0/3000	10	10		
0/5000	20	10		
0/10,000	50	20		
Vacuum				
30 in.Hg/0	0.1	0.1		
Compound				
Hg/psi	Vac.	Pres.	Vac.	Pres.
30/0/15	0.2	0.1	0.2	0.1
30/0/30	0.5	0.2	0.2	0.1
30/0/60	0.5	0.2	0.5	0.2
30/0/100	1	0.5	0.5	0.5
30/0/150	1	0.5	1	0.5
30/0/200	2	1	1	0.5
30/0/300	2	1	2	1
30/0/400	5	2	2	1

STANDARD RANGES

kg/cm2 – bar	kPa
Pressure	
0/1	0/100
0/1.6	0/160
0/2.5	0/250
0/4	0/400
0/6	0/600
0/10	0/1000
0/16	0/1600
0/25	0/2500
0/40	0/4000
0/60	0/6000
0/100	0/10,000
0/160	0/16,000
0/250	0/25,000
0/400	0/40,000
0/600	0/60,000
0/10,000	
Vacuum	
-1/0	-100/0
Compound	
-1/1.5	-100/150
-1/3	-100/300
-1/5	-100/500
-1/9	-100/900

DIMENSIONS



Model	Dial Size Inches	A	B	C	D	E	F	G	H	J	K	L	T	W
1082 XAY	4½"	5 ³ / ₁₆ (143)	3 ³ / ₁₆ (87)	4 ⁷ / ₈ (124)	1 ⁵ / ₈ (41)	5 ¹ / ₈ (137)	1 ¹ / ₈ (41)	3 ¹ / ₁₆ (94)	⁷ / ₈ (20)	.218	2 ⁵ / ₈ (67)	1 ¹ / ₁₆ (27)	⁵ / ₈ (16)	
	6"	7 ⁷ / ₈ (194)	3 ¹ / ₂ (89)	6 ³ / ₈ (162)	1 ⁵ / ₈ (41)	7 (178)	1 ¹ / ₈ (41)	4 ¹³ / ₁₆ (113)	⁷ / ₈ (20)	.218	2 ⁵ / ₈ (67)	1 ¹ / ₁₆ (27)	⁵ / ₈ (16)	

*Millimeters shown in ().

Table A - Case selection & mounting

Dial Size (in)	Ordering Code	Case Type	Case: Material Finish	Ring: Style Material Finish	Mounting / Connection
4½	(45)	1082	Aluminum, Black, epoxy	Hinged Steel	Stem – Lower or back
6	(60)				Flush – Lower ⁽¹⁾ or back

Table B - System Location and Connection Bourdon Tube & Tip Material⁽²⁾
(all joints TIG welded except code "A")

Socket Material	Tube & Socket Code	Case Style Code	NPT Conn. & Code	Conn. Location & Code	Range Selection Limits (psi)
Phosphor bronze tube, Brass tip, silver brazed	Brass	(A)-Tube	(S) Solid Front	(02) ¹ / ₄	Lower (L)
Monel 400	Monel 400	(P)	(S) Solid Front	(04) ¹ / ₂	Back (B)

NOTES: (1) Standard case only.