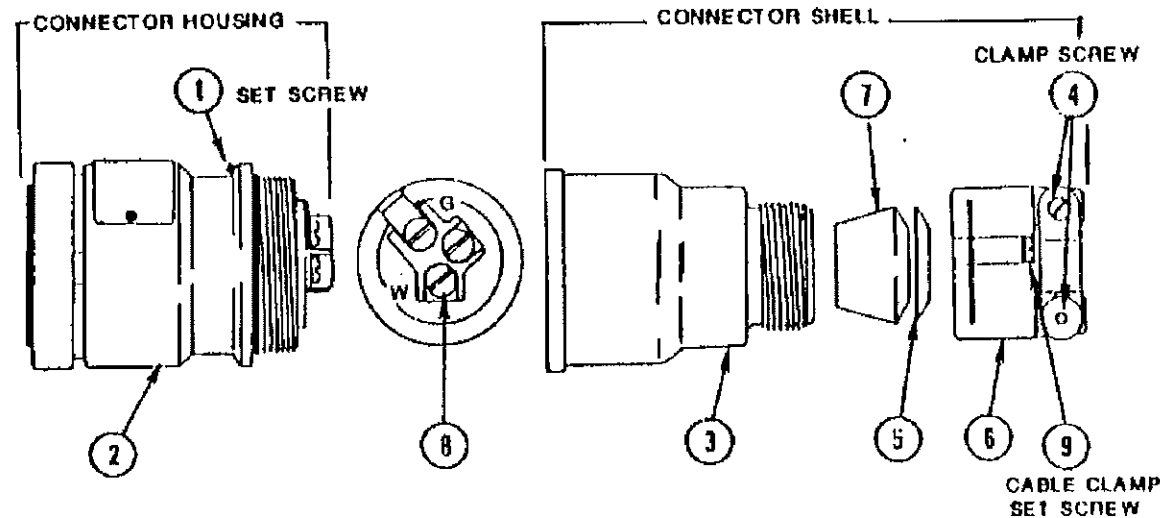


**INSTALLATIONS INSTRUCTIONS FOR
ECC - ECCL U - LINE CORD CONNECTOR ASSEMBLY**



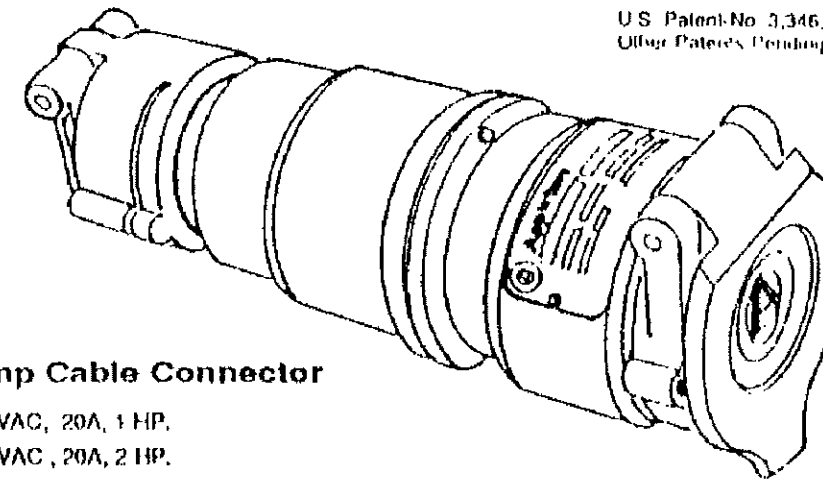
1. To disassemble device as shown, loosen set screw ① and remove the connector receptacle assembly ② from the connector shell assembly.
2. Remove housing cap and cable clamp assembly from the connector housing ③
3. Loosen cable clamp screws ④.
4. Strip the cable jacket and individual conductors per table "A".
5. Install the metal bushing crown ⑤, if not already installed, into the housing cap ⑥, choose the proper size bushing according to table "B".
6. Slide the housing cap ⑥, metal bushing crown ⑤, and bushing ⑦ over the cable, also slide the connector housing ③ over the cable.
7. Fasten individual conductor wires under the proper terminal pressure screws ⑧ and tighten to torque 10 in.- lb. Min. / 12 in.- lb. Max.
8. Thread the connector housing ③ onto the connector receptacle assembly ② until seated firmly together.
9. Tighten set screw ① to a torque of 4 in.- lb. Min. / 6 in.- lb. Max.
10. Slide the bushing ⑦ and cable clamp assembly over the cord until the bushing ⑦ is seated against the connector housing ③.
11. Thread the housing cap and cable clamp assembly onto the end of the connector housing ③ and torque to 9 ft.- lb. Min. / 11 ft.- lb. Max.
12. Tighten set screw ⑨ to a torque of 18 in.- lb. Min. / 24 in.- lb. Max.
13. After the entire cord connector assembly is assembled, tighten the two cable clamp screws ④ to a torque of 8 in.- lb. Min. / 12 in.- lb. Max. to secure the cord in place.

Appleton
ELECTRIC COMPANY

308171
INSTRUCTION SHEET

**INSTRUCTION FOR INSTALLATION AND
MAINTENANCE OF
THE ECC - ECCL CORD CONNECTOR**

U.S. Patent No. 3,346,709
Other Patents Pending



20 Amp Cable Connector

125 VAC, 20A, 1 HP.
250 VAC, 20A, 2 HP.

ECC - ECCL PORTABLE CORD CONNECTOR

Applications

- For making up adapter sets for connecting portable devices having ECP U-Line Plugs to existing receptacles in non-hazardous areas. Completed adapter set consists of ECCL (or ECC), short flexible cord and plug to fit existing receptacle.
- For use as an extension cord for portable devices having FCP U-Line Plugs in non-hazardous areas.
- The National Electrical Code 1990, Article 501-11 does not permit the use of cord connectors in Hazardous Locations, although this cord connector is constructed according to plug and receptacle combination standards for use in Hazardous Locations, U.L. 1010 for use in Class I, Group B, C, D and Class II, Group F and G.

Features

- When plug is withdrawn, ECCL gasketed spring cover snaps shut to protect against moisture and combustible dust. With plug in use, gasket in receptacle throat "seals" around plug for protection against environment.
- Interior switch cylinder has neoprene O-ring at each end to seal out combustible dust and moisture.
- Cable clamp provides positive grip on cable. Furnished with 3 bushings to accommodate various cable sizes.
- Copper-free aluminum housing (4/10ths of 1% max. copper content).
- Epoxy clad—two-coat baked finish.

TABLE A DIMENSIONS ARE IN INCHES

TERMINAL WIRE RANGE AND STRIPPING GUIDE

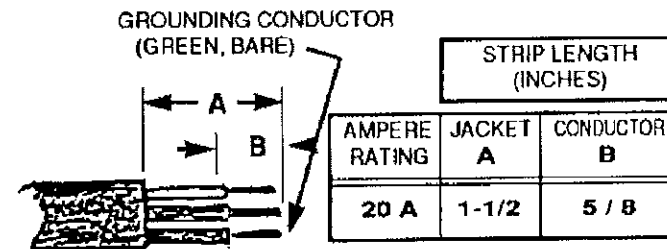


TABLE B

| CATALOG NUMBERS | CORD DIA. (INCHES) | BUSHING NO. | BUSHING HOLE DIA. (INCHES) |
|-----------------|--------------------|-------------|----------------------------|
| ECC2023 | .313-.406 | 304059-4 | 13/32 |
| ECC20232 | | | |
| ECCL2023 | .406-.500 | 304059-5 | 1/2 |
| ECCL20232 | | | |
| | .500-.625 | 304059-1 | 5/8 |

U-LINE CORD CONNECTORS

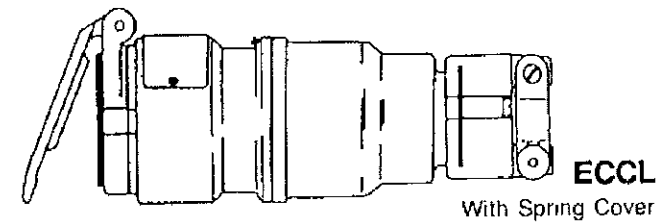
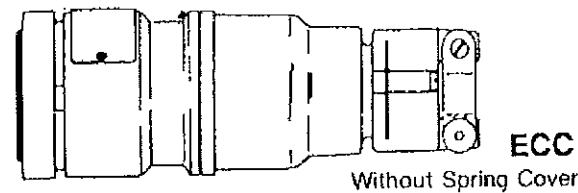


TABLE C

| 125V ECCL2023 ECC2023 | CORD CONNECTORS: CATALOG NUMBERS | ELECTRICAL RATINGS | | | CABLE DIA. (INCHES) | CORRESPONDING PLUGS FOR USE WITH CORD CONNECTORS: CATALOG NUMBERS |
|-------------------------------|-------------------------------------|--------------------|---------|----|---------------------|--|
| | | VOLTAGE | CURRENT | HP | | |
| 250V ECCL20232 ECC20232 | ECC2023 | 125 VAC | 20 A | 1 | .313 - .625 | NCP1523, ECP1523, NCP2023, ECP2023 |
| | ECC20232 | 250 VAC | 20 A | 2 | .313 - .625 | NCP20232, ECP20232 |
| | ECCL2023 | 125 VAC | 20 A | 1 | .313 - .625 | NCP1523, ECP1523, NCP2023, ECP2023 |
| | ECCL20232 | 250 VAC | 20 A | 2 | .313 - .625 | NCP20232, ECP20232 |

CAUTIONS

1. THE 'ECC' CORD CONNECTOR IS RATED FOR USE WITH TYPE 'S' OR 'SO' CORD ONLY.
2. CARE MUST BE TAKEN NOT TO CUT INTO THE INDIVIDUAL CONDUCTOR INSULATION WHEN REMOVING THE OUTER CABLE JACKET AND TO NOT DAMAGE THE CONDUCTORS WHEN REMOVING INDIVIDUAL WIRE INSULATIONS. FAILURE TO DO SO SERIOUSLY DEGRADES THE ELECTRICAL PROPERTIES OF THE CABLE AND MAY PRODUCE OVERHEATING / ELECTRICAL HAZARD.

WARNINGS

1. USE ONLY THE APPROPRIATE BUSHING ACCORDING TO TABLE B FOR THE GIVEN CORD DIAMETER. FAILURE TO DO SO MAY RESULT IN OVER STRESSED WIRE WITHIN THE ASSEMBLY WHICH COULD CAUSE THE CONDUCTORS TO PULL OUT AND CAUSE SERIOUS / FATAL INJURIES.
2. ELECTRICAL POWER MUST BE TURNED 'OFF' BEFORE AND DURING INSTALLATION AND MAINTENANCE. FAILURE TO DO SO MAY RESULT IN SERIOUS / FATAL INJURIES.
3. DO NOT MODIFY THIS DEVICE IN ANY WAY. REPLACE ANY MISSING OR BROKEN PARTS WITH THE PROPER REPLACEMENT PARTS FROM APPLETON ELECTRIC. MODIFICATION OF THIS DEVICE OR SUBSTITUTION OF PARTS WITH NON-STANDARD PARTS MAY RESULT IN SERIOUS / FATAL PERSONAL INJURY FROM ELECTRICUTION.

ELECTRICAL RATINGS

MAXIMUM VOLTAGES: Select catalog number in TABLE C
 MAXIMUM CONTINUOUS CURRENT: for correct rating needed.

Plugs for use with Cable Connectors

| Plug | Current | Voltage | Dia-gram | Wire/Pole |
|------------------------------------|---------|---------|----------|-----------|
| ECP Plug (Aluminum) | 20 | 125V | | 2W.3P |
| NCP Plug (Thermoplastic Polyester) | 20 | 250V | | 2W.3P |

IMPORTANT

1. READ RULES AND INSTRUCTIONS CAREFULLY FOR
INSTALLATION AND OPERATION.

2. RETAIN THESE INSTRUCTIONS FOR FUTURE USE.

ELECTRICAL TESTING

- DO NOT CONNECT TO POWER UNTIL THE FOLLOWING ELECTRICAL TESTS HAVE BEEN PERFORMED.
- MAKE CONTINUITY CHECKS OF WIRING TO VERIFY CORRECT PHASING AND GROUNDING CONNECTIONS.
- CHECK INSULATION RESISTANCE TO BE SURE SYSTEM DOES NOT HAVE ANY SHORT CIRCUITS OR UNWANTED GROUNDS.

MAINTENANCE

- ELECTRICAL AND MECHANICAL INSPECTION OF ALL COMPONENTS MUST BE PERFORMED ON A REGULAR SCHEDULE DETERMINED BY THE ENVIRONMENT AND FREQUENCY OF USE.
- *IT IS RECOMMENDED THAT INSPECTION BE PERFORMED A MINIMUM OF ONCE A YEAR.*

WARNING

- IF ANY PARTS OF THE CORD CONNECTOR APPEAR TO BE MISSING, BROKEN, OR SHOW SIGNS OF DAMAGE, **DISCONTINUE USE IMMEDIATELY.**
- THIS CONDITION COULD CAUSE SERIOUS / FATAL PERSONAL INJURY AND / OR EQUIPMENT DAMAGE.
- REPLACE WITH THE PROPER REPLACEMENT PART (S) BEFORE CONTINUING SERVICE.

1. Clean exterior surface making sure nameplate remains legible.
 2. Inspect housing cap and cord clamp tightness to ensure proper cord / cable gripping.
 3. Check tightness of all screws before using
- *In addition to these required maintenance procedures. — We recommend an electrical preventive maintenance program as described in the National Fire Protection Association Bulletin NFPA # 70B*

CORD REPLACEMENT

To disassemble, follow procedures in installation instructions on inside pages.

Dimensions of U-Line Cable Connectors ECCL

