

Rigmaster™ LED Series Luminaires

Enclosed and Gasketed Fixtures

NEC/CEC:

Class I, Division 2, Groups A, B, C, D
 Class II, Division 2, Groups F, G
 Class III
 Class I, Zone 2, Group IIC
 Class II, Zone 22

NEC/CEC:

Type 3R, 4, 4X, IP66
 Simultaneous Exposure
 Suitable for Use in Wet Locations
 Marine Outside Type (Salt Water) For USA Only ①

Applications

- For use in locations where:
 - Flammable gases and dusts are present
 - A high degree of corrosion resistance is required
 - Protection against dirt, water and moisture is necessary
- Typical industries include:
 - Drilling rigs
 - Oil refineries
 - Petrochemical facilities
 - Waste and sewer treatment
 - Underground tunnels
 - Analyzer houses
 - Offshore rigs
 - Cooling towers

Features

- Lightweight design makes mounting and installation easy.
- Low fixture profile allows installation in compact spaces.
- Two sizes and output options deliver up to 7650 lumens.

Fluorescent Equivalent				
Nominal Lumens ②	Lamp Wattage	Lamp Type	Quantity	Model Number
4390	32W	T8	2	RM*2
7650	32W	T8	3	RM*4

② Nominal lumen value for 5000K, clear Lens. Detailed lumen information is provided in data tables.

- Choice of clear or diffused polycarbonate lens for optimal work plane brightness in a variety of applications.
- Choice of color temperature (CCT): 5000K cool white, 4000K neutral white or 3000K warm white with minimum 80 CRI.
- Field replaceable lens, LED driver, battery pack and battery management module (BMM)
- Three unique mounting bracket options allow for mounting in any location and retrofitting third party fixtures.
- For ease of retrofitting, mounting brackets accommodate most bolt patterns for Crouse-Hinds™ †, Dialight™ ‡ and other manufacturers. See compatibility chart on page 11.
- Emergency version is suitable for heights up to 14 feet.
- Wirenuts and screw terminal block ③ option for added flexibility.
- Hinged wire compartment cover is secured with captive screws for safety and convenience.
- Loop in/out wiring capability for inter connecting fixtures
- Standard screw-type terminal block can accept UL/CSA 22-12 AWG wire.
- 5 casted points for secondary safety retention.
- Standard 6 kV surge protection.
- Fixture position locking mechanism provides ease and consistency of aiming.
- Rugged housing with superior thermal design translates to long luminaire life.
- Ambient Temperature: -40°C to +65°C (-40°F to +149°F)
- Ambient Temperature for Emergency Version: -20°C to +55°C (-4°F to + 131°F)

† Crouse-Hinds is a registered trademark of Eaton Corporation.

‡ Dialight is a registered trademark of Dialight.

① Applicable to standard (non emergency) fixtures only.

③ Terminal block option available for BU voltage configuration only.

④ Emergency version only available with clear lens.



- LED L70 of 60,000 hours reported at +65°C (+149°F).
- Photometric data and electronic drawings available upon request.

Options

- Brackets can be factory installed or purchased separately
- Safety cable can be purchased separately or configured as an add on option to be shipped with the LED fixture.
- Standard 3/4" NPT threads with 1/2" option.
- Clear Polycarbonate lens or Diffused Lens.
- Emergency battery back up option for 90 or 180 minutes. ④
- Wirenuts or screw terminal blocks ③ available

Standard Materials

- Housing: copperfree (4/10 of 1% max.) aluminum
- Lens: thermal shock- and impact-resistant polycarbonate lens
- Gasket: silicone rubber, mechanically secured
- Bolts: stainless steel
- Close up plugs: (3) aluminum provided
- Mounting brackets: Zinc plated steel

Standard Finishes

- Housing: gray epoxy powder coat finish, electrostatically applied for complete uniform protection

NEC/CEC Certifications and Compliances

- UL Standard: UL 924; UL 844; UL 1598; UL 50E; UL 8750
- CSA Standard: C22.2 No. 0 - 10; C22.2 No. 94.2 - 15; C22.2 No. 137-18; C22.2 No 141-15; C22.2 No. 250.0 - 18; C22.2 No. 250.13 -17; C22.2 No. 60529-16
- NEMA ANSI/IEC Standards: 60529
- Rigmaster Standard:
 - cCSAus: 164460, Certificate Number: 70212106
- Rigmaster Emergency:
 - cCSAus: 164460, Certificate Number: 70218504

DesignLights™ Consortium

- Check DLC QPL for current list of products.

Related Products

- Industrial Rigmaster LED Luminaries

Rigmaster™ LED Series Luminaires

Enclosed and Gasketed Fixtures

NEC/CEC:
 Class I, Division 2, Groups A, B, C, D
 Class II, Division 2, Groups F, G
 Class III
 Class I, Zone 2, Group IIC
 Class II, Zone 22

NEC/CEC:
 Type 3R, 4, 4X, IP66
 Simultaneous Exposure
 Suitable for Use in Wet Locations
 Marine Outside Type (Salt Water) For USA Only ①

Illustrated Features

LED Flexibility and Modular Design



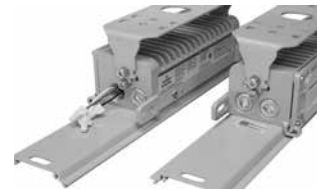
Hinged wirebox cover with captive screws allow hassle free installation in challenging conditions and prevents accidental disengagement to enhance workplace safety



Notched position locking mechanism enables fixture to be aimed consistently



Five points for secondary retention provide protection against infield vibration.



Rigmaster offers two NPT hubs on each end for through wiring. The leads are placed outside the wiring compartment to facilitate plug n play installation so customers can save time and bypass unscrewing the cover

Choose from **three color temperatures (CCT):** 3000K, 4000K, and 5000K
Standard linear light distribution pattern: wide distribution maximizes spread and work plane brightness to optimize number of luminaires needed

Configurable Options



Mounting Brackets ③④: Choose to mount your Rigmaster using one of three distinctly designed brackets to best suit your installation needs. All brackets can be factory installed to save time in the field or purchased separately.



Wirenuts or Screw Terminal Blocks: Choose between wirenuts and screw terminal blocks ②③ for ease of field installation. Terminal blocks support UL/CSA 22 to 12 AWG wire.



Clear or Diffused Polycarbonate Lens: Select a clear or diffused polycarbonate lens for the optimal level of work plane brightness and visual comfort. These lenses are field interchangeable for convenience and flexibility

Safety Features



Safety cables can be purchased separately or included with fixture to reduce ordering and receiving complexity

① Applicable to standard (non emergency) fixtures only.
 ② Terminal block option available for BU voltage configuration only.
 ③ Brackets and safety cables can be ordered separately or included with fixture. See Ordering Table for more information.
 ④ Mounting Brackets compatible with standard and emergency versions are not the same. please refer to mounting bracket details on page 9 and 10 for details.

Rigmaster™ LED Series Luminaires

Enclosed and Gasketed Fixtures

NEC/CEC:
 Class I, Division 2, Groups A, B, C, D
 Class II, Division 2, Groups F, G
 Class III
 Class I, Zone 2, Group IIC
 Class II, Zone 22

NEC/CEC:
 Type 3R, 4, 4X, IP66
 Simultaneous Exposure
 Suitable for Use in Wet Locations
 Marine Outside Type (Salt Water) For USA Only ①

Order using catalog numbering guides below.

<p>RM</p> <p>Series: RM - Rigmaster Linear LED</p>	<p>A</p> <p>Mounting ④⑤: N - If None (Use if Ordering Appleton Bracket Separately) A - Small Swivel Bracket B - Large Swivel Bracket L - Low Profile Bracket</p>	<p>2</p> <p>Lumen (nominal) ②: 2 - 4,390 Lumens (2') 4 - 7,650 Lumens (4')</p>	<p>2</p> <p>Hub Size: 1 - (4) 1/2" NPT 2 - (4) 3/4" NPT</p>	<p>C</p> <p>Color Temperature: C - Cool 5000K N - Neutral 4000K W - Warm 3000K</p>	<p>D</p> <p>Lens Material ⑦: D - Diffused Polycarbonate P - Clear Polycarbonate</p>	<p>L</p> <p>Light Distribution Pattern: L - Linear Pattern</p>	<p>BU</p> <p>Voltage ⑥: BU - 120-277 Vac; 125-300 Vdc BH - 347-480 Vac</p>	<p>N</p> <p>Emergency: N - If None (Standard) H - 90 Minutes E - 180 Minutes</p>	<p>G</p> <p>Color: G - Appleton Gray (Standard)</p>	<p>W</p> <p>Wiring Method: W - Wire Nuts (Standard) T - Fixed Terminal Block③</p>	<p>2</p> <p>Option ④: Blank - If None 1 - (1) Safety Cable 2 - (2) Safety Cables</p>
---	---	---	--	---	--	---	---	---	--	--	---

① Applicable to standard (non emergency) fixtures only.
 ② For lumen output information, see Lumen Values Table.
 ③ Terminal block option available for BU voltage configuration only.
 ④ Brackets and safety cables can be ordered separately or included with fixture. See Ordering Table for more information.
 ⑤ Mounting option A is not available with emergency version.
 ⑥ Emergency battery back up version is only available with BU voltage configuration for 120-277V operation.
 ⑦ Emergency battery back up version is only available with clear polycarbonate lens option

Rigmaster™ LED Series Luminaires

Enclosed and Gasketed Fixtures

NEC/CEC:
 Class I, Division 2, Groups A, B, C, D
 Class II, Division 2, Groups F, G
 Class III
 Class I, Zone 2, Group IIC
 Class II, Zone 22

NEC/CEC:
 Type 3R, 4, 4X, IP66
 Simultaneous Exposure
 Suitable for Use in Wet Locations
 Marine Outside Type (Salt Water) For USA Only ①

Lumen Values Table ②

Lumen Output (Efficacy) for Clear Polycarbonate		
	RM*2	RM*4
5000K CCT, 80 CRI	4390 (138)	7650 (146)
4000K CCT, 80 CRI	4230 (133)	7370 (140)
3000K CCT, 80 CRI	4160 (131)	7250 (138)
Lumen Output (Efficacy) for Diffused Polycarbonate		
	RM*2	RM*4
5000K CCT, 80 CRI	3310 (104)	5780 (110)
4000K CCT, 80 CRI	3190 (100)	5550 (106)
3000K CCT, 80 CRI	3140 (99)	5490 (105)
Lumen Output in Emergency Mode for Clear Polycarbonate		
	90 Minute	180 Minute
5000K CCT, 80 CRI	1350	800
4000K CCT, 80 CRI	1260	760
3000K CCT, 80 CRI	1200	720

① Applicable to standard (non emergency) fixtures only.

② All lumen values are typical (tolerance +/- 10%)

Rigmaster™ LED Series Luminaires

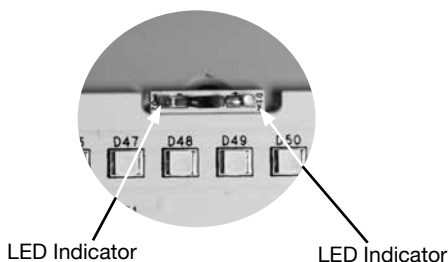
Enclosed and Gasketed Fixtures

NEC/CEC:
 Class I, Division 2, Groups A, B, C, D
 Class II, Division 2, Groups F, G
 Class III
 Class I, Zone 2, Group IIC
 Class II, Zone 22

NEC/CEC:
 Type 3R, 4, 4X, IP66
 Simultaneous Exposure
 Suitable for Use in Wet Locations
 Marine Outside Type (Salt Water) For USA Only ①

Emergency Battery Backup Functionality – Automatic Testing System (ATS) ②	
Functional	Full Duration
Starts within 24 to 45 hours after the initial powerup of the module	Starts within 5 to 26 days after the initial power of the module
Occurs every 14 days after the initial aforementioned functional test	Occurs every 364 days after the initial aforementioned functional test
Lasts for 30 seconds	Lasts for the full duration of the rated emergency period

At the completion of functional and full duration tests, LED indicator will display the status of the emergency luminaire when AC is present



Color	LED Signals	
	Timing	Description
Green	1 sec ON: 1 sec OFF	Normal charging ok, Battery not yet fully charged, No fault detected, Testing ok
Green	0.25 sec ON: 0.25 sec OFF	Functional / Duration Self-Test on-going
Green	Steady ON	Charging ok, Battery fully charged, No fault detected, Testing ok
Red	1 sec ON: 1 sec OFF	Fault condition. Installation issue. Battery is reverse, not connected or shorted. Functional test failure, full duration test failure
LED Indicators OFF, LED Array ON	LED Indicator Lights (Red and Green) OFF	No AC, Emergency mode ON

① Applicable to standard (non emergency) fixtures only.
 ② Applicable only for Emergency version.

Rigmaster™ LED Series Luminaires

Enclosed and Gasketed Fixtures

NEC/CEC:
 Class I, Division 2, Groups A, B, C, D
 Class II, Division 2, Groups F, G
 Class III
 Class I, Zone 2, Group IIC
 Class II, Zone 22

NEC/CEC:
 Type 3R, 4, 4X, IP66
 Simultaneous Exposure
 Suitable for Use in Wet Locations
 Marine Outside Type (Salt Water) For USA Only ①

Electrical Ratings - Standard Version ②

	Voltage	Input Power	Input Current (amp)	Power Factor	THD	Model
BU	120 Vac	33	0.28	>0.9	<20	RM*2
	277 Vac	33	0.12	>0.9	<20	
	125 Vdc	33	0.27	NA	NA	
	300 Vdc	33	0.11	NA	NA	
BH	347 Vac	36	0.11	>0.9	<20	
	480 Vac	36	0.08	>0.9	<20	
BU	120 Vac	55	0.5	>0.9	<20	RM*4
	277 Vac	55	0.2	>0.9	<20	
	125 Vdc	55	0.44	NA	NA	
	300 Vdc	55	0.18	NA	NA	
BH	347 Vac	57	0.16	>0.9	<20	
	480 Vac	57	0.12	>0.9	<20	

Electrical Ratings - Emergency Version ②

	Voltage	Input Power	Input Current (amp)	Power Factor	THD	Model
BU	120 Vac	39	0.35A	>0.9	<20	RM*2
	277 Vac	39	0.15A	>0.9	<20	
BU	120 Vac	60	0.57A	>0.9	<20	RM*4
	277 Vac	60	0.20A	>0.9	<20	

① Applicable to standard (non emergency) fixtures only.

② All lumen values are typical (tolerance +/- 10%)

Rigmaster™ LED Series Luminaires

Enclosed and Gasketed Fixtures

NEC/CEC:

Class I, Division 2, Groups A, B, C, D
 Class II, Division 2, Groups F, G
 Class III
 Class I, Zone 2, Group IIC
 Class II, Zone 22

NEC/CEC:

Type 3R, 4, 4X, IP66
 Simultaneous Exposure
 Suitable for Use in Wet Locations
 Marine Outside Type (Salt Water) For USA Only ①

NEC/CEC Temperature Codes ②

Ambient Temperature °C (°F)	Supply wire Temperature °C (°F)	Class I Division 2 Groups A, B, C and D	Class I, Zone 2, Group IIC	Class II, Division 2, Groups F and G	Zone 22, Group IIIC	Class I, Division 2 and Class II, Division 2	Model
40 (104)		T6	T6	T6	T6	T5	
55 (131)	90 (194)	T5	T5	T5	T5	T4A	RM*2
65 (149)		T4A	T4	T4A	T4	T4A	
40 (104)		T5	T5	T6	T6	T5	
55 (131)	90 (194)	T4A	T4	T5	T5	T4A	RM*4
65 (149)		T4A	T4	T5	T5	T4A	

"T" Numbers Represent the Maximum Internal Temperature ③ or Maximum Surface Temperature ④

"T" #	NEC/CEC															
	T1	350	325	T2	T2A	T2B	T2C	T2D	T3	T3A	T3B	T3C	T4	T4A	T5	T6
Temp. Range °C (°F)	351 - 450 (664 - 842)	326 - 350 (619 - 662)	301 - 325 (574 - 617)	281 - 300 (538 - 572)	261 - 280 (448 - 500)	231 - 260 (448 - 500)	216 - 230 (421 - 446)	201 - 215 (394 - 419)	181 - 200 (358 - 392)	166 - 180 (331 - 356)	161 - 165 (322 - 329)	136 - 160 (277 - 320)	121 - 135 (250 - 275)	101 - 120 (214 - 248)	86 - 100 (187 - 212)	85 - 185 (185 - 185)

① Applicable to standard (non emergency) fixtures only.

② Ambient Temperature Range: -40 °C to +65 °C (-40 °F to +149 °F).

③ T numbers represent the maximum internal temperature for Class I, Division 2 and Class I, Zone 2 locations designated by the NEC.

④ T numbers represent the maximum surface temperature under a dust blanket for Class II, Division 2 as designated by the NEC.

Rigmaster™ LED Series Luminaires

Enclosed and Gasketed Fixtures

NEC/CEC:
 Class I, Division 2, Groups A, B, C, D
 Class II, Division 2, Groups F, G
 Class III
 Class I, Zone 2, Group IIC
 Class II, Zone 2

NEC/CEC:
 Type 3R, 4, 4X, IP66
 Simultaneous Exposure
 Suitable for Use in Wet Locations
 Marine Outside Type (Salt Water) For USA Only ①

NEC/CEC Temperature Codes - Emergency Version ②

Ambient Temperature °C (°F)	Supply wire Temperature °C (°F)	Class I Division 2 Groups A, B, C and D	Class I, Zone 2, Group IIC	Class II, Division 2, Groups F and G	Zone 22, Group IIIC	Class I, Division 2 and Class II, Division 2	Model
40 (104)	90 (194)	T5	T5	T5	T5	T4A	RM*2
55(131)		T5	T5	T4A	T4	T4A	
40 (104)	90 (194)	T5	T5	T5	T5	T4A	RM*4
55(131)		T5	T5	T4A	T4	T4A	

"T" Numbers Represent the Maximum Internal Temperature ③ or Maximum Surface Temperature ④

"T" #	NEC/CEC															
	T1	350	325	T2	T2A	T2B	T2C	T2D	T3	T3A	T3B	T3C	T4	T4A	T5	T6
Temp. Range °C (°F)	351 - 450 (664 - 842)	326 - 350 (619 - 662)	301 - 325 (574 - 617)	281 - 300 (538 - 572)	261 - 280 (448 - 500)	231 - 260 (448 - 500)	216 - 230 (421 - 446)	201 - 215 (394 - 419)	181 - 200 (358 - 392)	166 - 180 (331 - 356)	161 - 165 (322 - 329)	136 - 160 (277 - 320)	121 - 135 (250 - 275)	101 - 120 (214 - 248)	86 - 100 (187 - 212)	85 (185)

① Applicable to standard (non emergency) fixtures only.

② Ambient Temperature Range: -20°C to +55°C (-4°F to + 131°F).

③ T numbers represent the maximum internal temperature for Class I, Division 2 and Class I, Zone 2 locations designated by the NEC.

④ T numbers represent the maximum surface temperature under a dust blanket for Class II, Division 2 as designated by the NEC.


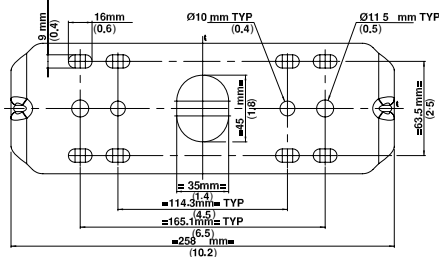

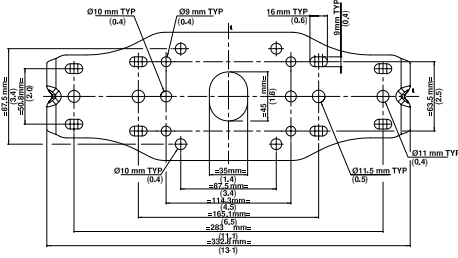

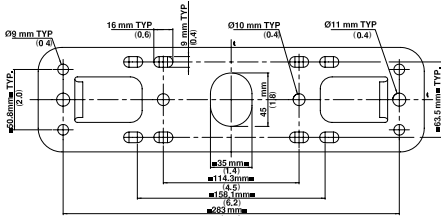
Rigmaster™ LED Series Luminaires

Enclosed and Gasketed Fixtures

NEC/CEC:
 Class I, Division 2, Groups A, B, C, D
 Class II, Division 2, Groups F, G
 Class III
 Class I, Zone 2, Group IIC
 Class II, Zone 22

NEC/CEC:
 Type 3R, 4, 4X, IP66
 Simultaneous Exposure
 Suitable for Use in Wet Locations
 Marine Outside Type (Salt Water) For USA Only ①

Standard Mounting Brackets

	Dimensions mm (in)	Description	Weight kg (lbs)	Catalog Number
	 <p>BRACKET MOUNTING SCREW M8X16mm LOCKING SCREW M8X16mm</p>	Small Swivel Bracket	0.74 (1.7)	RMSSB
	 <p>BRACKET MOUNTING SCREW M8X16mm LOCKING SCREW M8X16mm</p>	Large Swivel Bracket	1.1(2.4)	RMLSB
	 <p>BRACKET MOUNTING SCREW M8X16mm LOCKING SCREW M8X16mm LOCKING SCREWS DIAGONALLY OPPOSITE</p>	Low Profile Bracket	0.80 (1.8)	RMLPB

① Applicable to standard (non emergency) fixtures only.

Rigmaster™ LED Series Luminaires

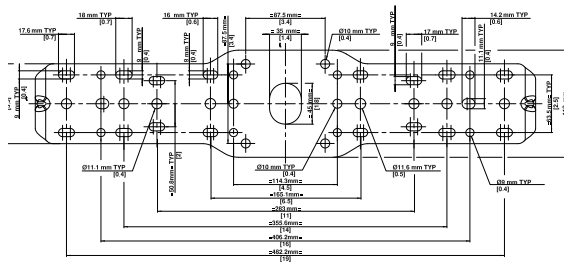
Enclosed and Gasketed Fixtures

NEC/CEC:
 Class I, Division 2, Groups A, B, C, D
 Class II, Division 2, Groups F, G
 Class III
 Class I, Zone 2, Group IIC
 Class II, Zone 22

NEC/CEC:
 Type 3R, 4, 4X, IP66
 Simultaneous Exposure
 Suitable for Use in Wet Locations
 Marine Outside Type (Salt Water) For USA Only ①

Emergency Version Mounting Brackets

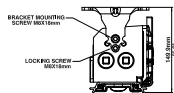
Dimensions mm (in)	Description	Weight kg (lbs)	Catalog Number
--------------------	-------------	-----------------	----------------



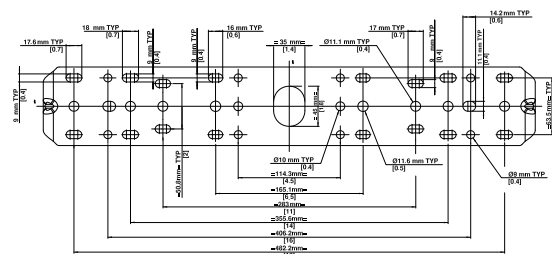
Rigmaster
 Emergency
 Standard Swivel
 Bracket

2.0 (4.4)

RMHL5B



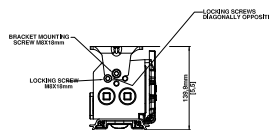
NOTCHED BRACKET FOR
 0°, 15°, 30°, 45° AND 90°
 ORIENTATION WITH RESPECT TO
 BRACKET MOUNTING SCREW



Rigmaster
 Emergency Low
 Profile Bracket

1.9 (4.1)

RMHLPB



① Applicable to standard (non emergency) fixtures only.

Rigmaster™ LED Series Luminaires

Enclosed and Gasketed Fixtures

NEC/CEC:
 Class I, Division 2, Groups A, B, C, D
 Class II, Division 2, Groups F, G
 Class III
 Class I, Zone 2, Group IIC
 Class II, Zone 22

NEC/CEC:
 Type 3R, 4, 4X, IP66
 Simultaneous Exposure
 Suitable for Use in Wet Locations
 Marine Outside Type (Salt Water) For USA Only ①

Retrofit Bracket Compatibility Chart ①

For customers trying to retrofit an existing fixture, use the table below as a guide to select the best bracket to suit your needs


Manufacturer	Part Number	RMSSB Small Swivel Bracket	RMLSB Large Swivel Bracket	RMLPB Low Profile Bracket
Crouse Hinds™ ⁺	DP1057MTK	—	X	X
Dialight™ [*]	LTXW4	X	X	—
	LTXW4LP	—	X	X
AZZ™ [®] Rig-A-Lite™ [®]	53050	X	X	—

Retrofit bracket Compatibility - Emergency Version ②

For customers trying to retrofit an existing fixture, use the table below as a guide to select the best bracket to suit your needs

Manufacturer	Part Number	RMHLSB	RMHLPB
Crouse Hinds™ ⁺	DP1057MTK	X	X
Dialight™ [*]	LTXW4	X	X
	LTXW4LP	X	X
	LSXW4	X	X
AZZ™ [®] Rig-A-Lite™ [®]	53050	X	X

Other Accessories and Replacement Parts

Description	Catalog Numbers
 Stainless Steel Safety Cables	LEDSC
— Replacement Battery Management Module	BMMRM
— Replacement Battery Pack	BPMLLED

① Applicable to standard (non emergency) fixtures only.

② The above information is strictly for guidance purposes and does not guarantee compatibility and fit. Please carefully review bolt patterns on each bracket to ensure it meets your needs

+ Crouse-Hinds is a registered trademark of Eaton Corporation.

* Dialight is a registered trademark of Dialight.

® AZZ and Rig-A-Lite are registered trademarks of AZZ.

Rigmaster™ LED Series Luminaires

Enclosed and Gasketed Fixtures


NEC/CEC:

Class I, Division 2, Groups A, B, C, D
 Class II, Division 2, Groups F, G
 Class III
 Class I, Zone 2, Group IIC
 Class II, Zone 22



NEC/CEC:

Type 3R, 4, 4X, IP66
 Simultaneous Exposure
 Suitable for Use in Wet Locations
 Marine Outside Type (Salt Water) – for US only ①

Replacement Drivers

	Voltage	Driver Wattage	Luminaire Model	Constant Current Settings	Catalog Number
	BU	50W	RM*2	600mA	APM050C135UD060
	BH	50W	RM*2	600 mA	APM050C135HD060
	BU	50W	RM*4	1040 mA	APM050C135UD104
	BH	50W	RM*4	1040 mA	APM050C135HD104

Replacement Lenses

	Description	Luminaire Model	Quantity per luminaire	Catalog Number
	Clear Polycarbonate Lens	RM*2	1	RMCL
		RM*4	2	
	Diffused Polycarbonate Lens	RM*2	1	RMDL
		RM*4	2	

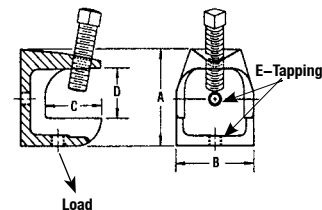
Other Mounting Options

Dimensions in Millimeters (Inches)					Weight per 100 kg (lbs)	Catalog Number	Max Load kg (lbs)
A	B	C	D	E			

Beam Clamps



52.3 (2.06)	50.8 (2.00)	35.1 (1.38)	25.4 (1.00)	3/8 - 16	37.65 (83.00)	BH-502	340.00 (750.00)
----------------	----------------	----------------	----------------	----------	---------------	---------------	--------------------



① Applicable to standard (non emergency) fixtures only.

Rigmaster™ LED Series Luminaires

Enclosed and Gasketed Fixtures

NEC/CEC:

Class I, Division 2, Groups A, B, C, D

Class II, Division 2, Groups F, G

Class III

Class I, Zone 2, Group IIC

Class II, Zone 22

NEC/CEC:

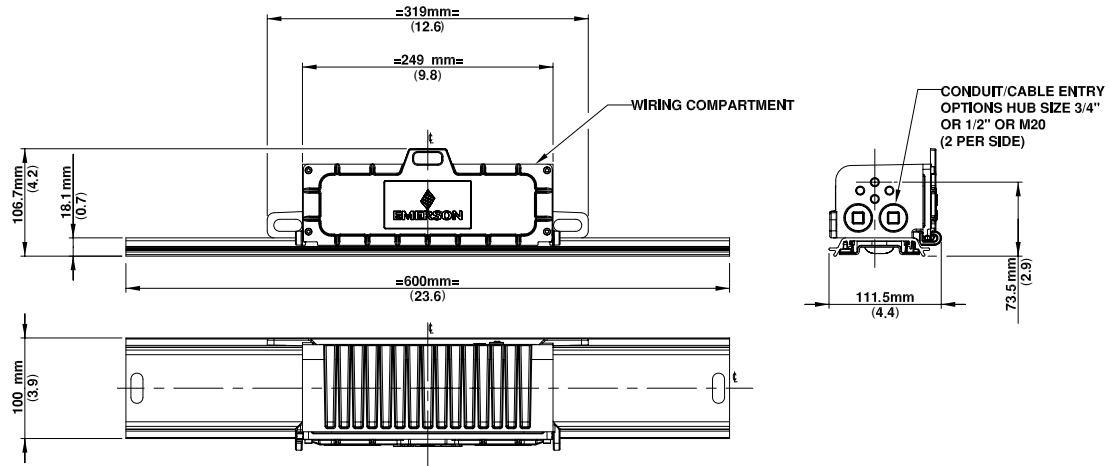
Type 3R, 4, 4X, IP66

Simultaneous Exposure

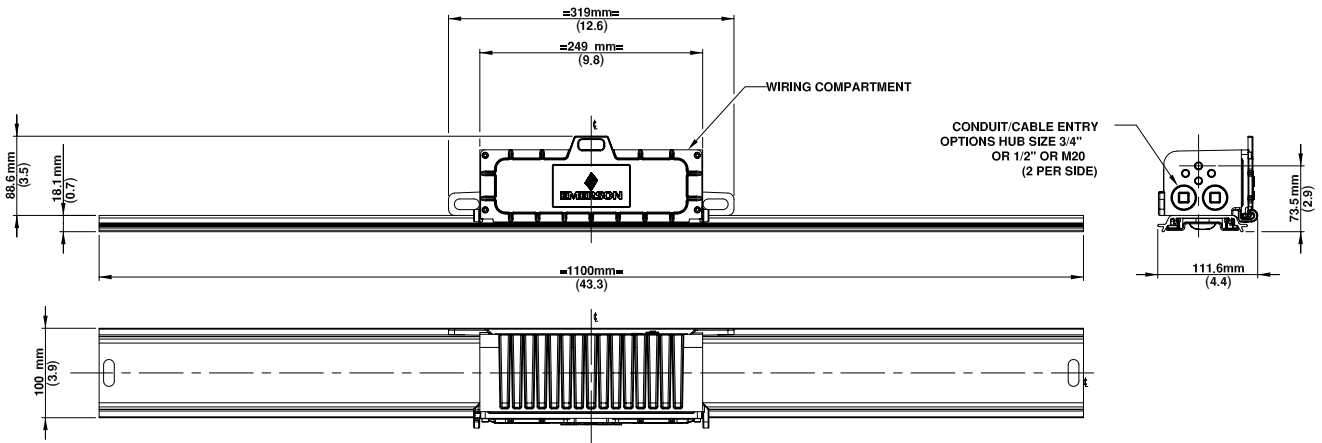
Suitable for Use in Wet Locations

Marine Outside Type (Salt Water) – for US only ①

Dimensions in Millimeters (Inches)



RM*2 – Standard



RM*4 – Standard

Model	Product Length m (ft)	Product Weight kg (lb)
RM*2	0.6 (2.0)	3.7 (8.2)
RM*4	1.1 (3.6)	4.6 (10.1)

① Applicable to standard (non emergency) fixtures only.

Note: weight of brackets are provided separately

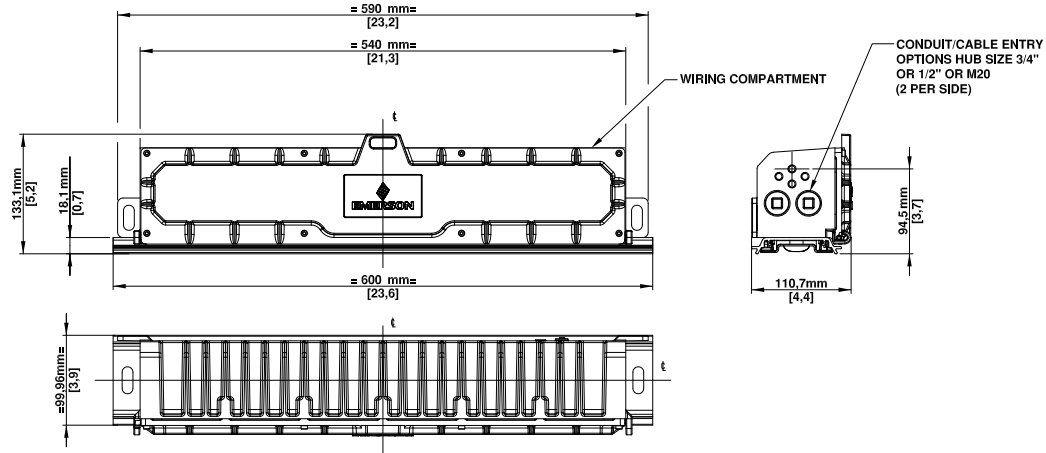
Rigmaster™ LED Series Luminaires

Enclosed and Gasketed Fixtures

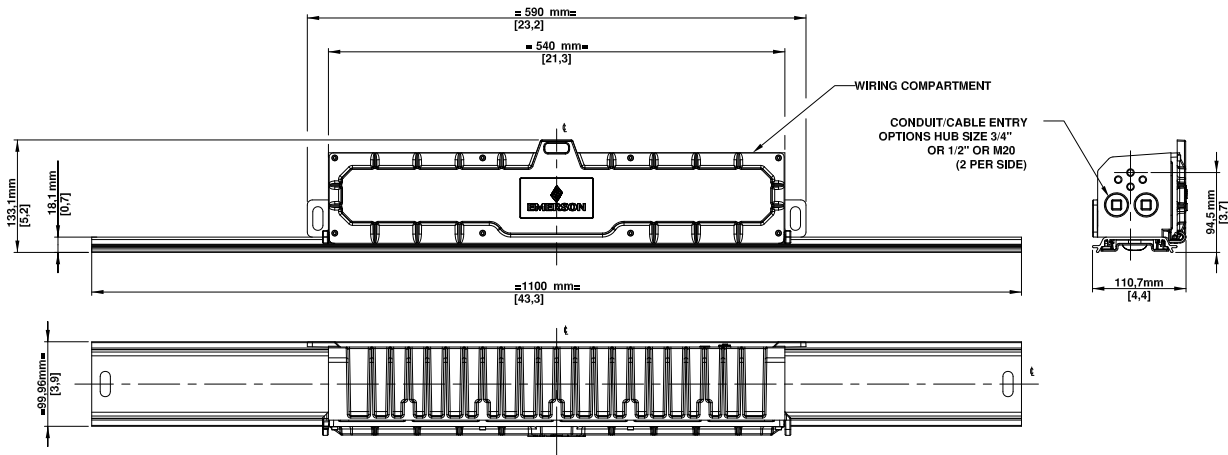
NEC/CEC:
 Class I, Division 2, Groups A, B, C, D
 Class II, Division 2, Groups F, G
 Class III
 Class I, Zone 2, Group IIC
 Class II, Zone 22

NEC/CEC:
 Type 3R, 4, 4X, IP66
 Simultaneous Exposure
 Suitable for Use in Wet Locations
 Marine Outside Type (Salt Water) – for US only ①

Dimensions in Millimeters (Inches)



RM*2 – Emergency



RM*4 – Emergency

Model	Product Length m (ft)	Product Weight kg (lb)
RM*2 - Emergency	0.6 (2.0)	7.6 (16.8)
RM*4 - Emergency	1.1 (3.6)	8.6 (19.0)

① Applicable to standard (non emergency) fixtures only.
 Note: weight of brackets are provided separately

Rigmaster™ LED Series Luminaires

Enclosed and Gasketed Fixtures

NEC/CEC:
 Class I, Division 2, Groups A, B, C, D
 Class II, Division 2, Groups F, G
 Class III
 Class I, Zone 2, Group IIC
 Class II, Zone 22

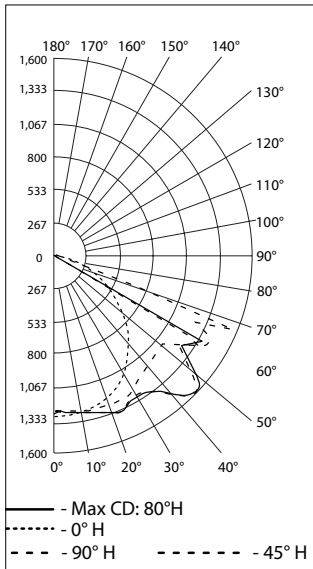
NEC/CEC:
 Type 3R, 4, 4X, IP66
 Simultaneous Exposure
 Suitable for Use in Wet Locations
 Marine Outside Type (Salt Water) – for US only ①

Photometric Data – DATA SHOWN IS ABSOLUTE

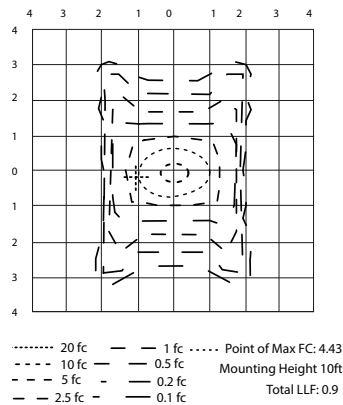
2ft, Clear Polycarbonate Lens, 5000K CCT

Luminaire Lumens 4,474.5

POLAR CANDELA DISTRIBUTION



ISOFOOTCANDLE PLOT



ZONAL LUMEN SUMMARY

Zone	Lumens	% Luminaire
0-30	1,056.6	23.6%
0-40	1,794.3	40.1%
0-60	3,627.9	81.1%
60-90	845.6	18.9%
70-100	254.1	5.7%
90-120	0.8	0%
0-90	4,473.4	100%
90-180	1.1	0%
0-180	4,474.5	100%

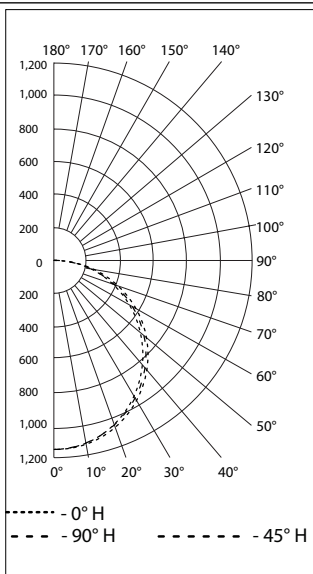
LUMENS PER ZONE

Zone	Lumens	% Total	Zone	Lumens	% Total
0-10	120.8	2.7%	90-100	0.7	0%
10-20	359.4	8.0%	100-110	0.1	0%
20-30	576.4	12.9%	110-120	0	0%
30-40	737.7	16.5%	120-130	0	0%
40-50	894.4	20.0%	130-140	0	0%
50-60	939.2	21.0%	140-150	0.0	0%
60-70	592.2	13.2%	150-160	0.1	0%
70-80	200.8	4.5%	160-170	0.1	0%
80-90	52.6	1.2%	170-180	0.0	0%

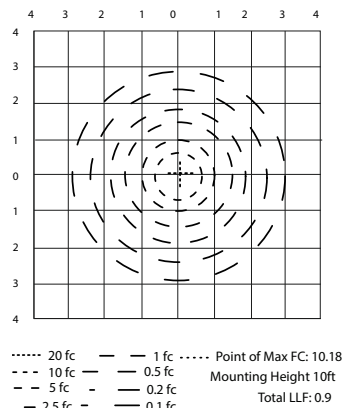
2ft, Diffused Polycarbonate Lens, 5000K CCT

Luminaire Lumens 3,452.9

POLAR CANDELA DISTRIBUTION



ISOFOOTCANDLE PLOT



ZONAL LUMEN SUMMARY

Zone	Lumens	% Luminaire
0-30	897.3	26%
0-40	1,482.0	42.9%
0-60	2,675.8	77.5%
60-90	775.1	22.4%
70-100	326.6	9.5%
90-120	1.8	0.1%
0-90	3,450.9	99.9%
90-180	2.0	0.1%
0-180	3,452.9	100%

LUMENS PER ZONE

Zone	Lumens	% Total	Zone	Lumens	% Total
0-10	108.3	3.1%	90-100	1.7	0%
10-20	311.7	9.0%	100-110	0.1	0%
20-30	477.3	13.8%	110-120	0	0%
30-40	584.7	16.9%	120-130	0	0%
40-50	619.6	17.9%	130-140	0	0%
50-60	574.1	16.6%	140-150	0	0%
60-70	450.3	13.0%	150-160	0.0	0%
70-80	263.2	7.6%	160-170	0.1	0%
80-90	61.6	1.8%	170-180	0.1	0%

① Applicable to standard (non emergency) fixtures only.

Rigmaster™ LED Series Luminaires

Enclosed and Gasketed Fixtures

NEC/CEC:
 Class I, Division 2, Groups A, B, C, D
 Class II, Division 2, Groups F, G
 Class III
 Class I, Zone 2, Group IIC
 Class II, Zone 22

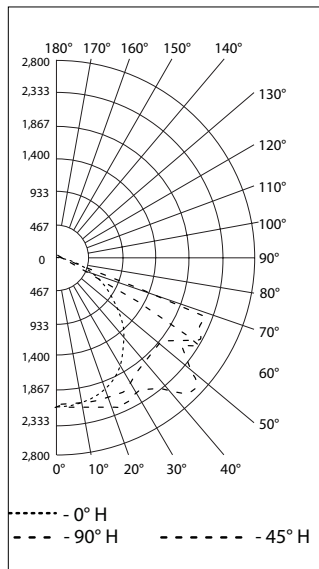
NEC/CEC:
 Type 3R, 4, 4X, IP66
 Simultaneous Exposure
 Suitable for Use in Wet Locations
 Marine Outside Type (Salt Water) – for US only ①

Photometric Data – DATA SHOWN IS ABSOLUTE

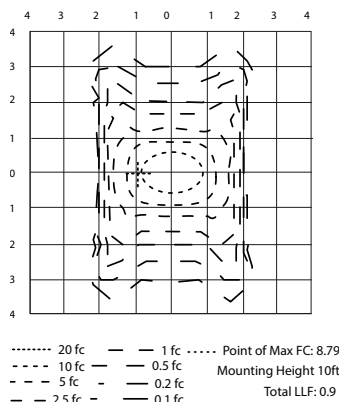
4ft, Clear Polycarbonate Lens, 5000K CCT

Luminaire Lumens 7,699.2

POLAR CANDELA DISTRIBUTION



ISOFOOTCANDLE PLOT



ZONAL LUMEN SUMMARY

Zone	Lumens	% Luminaire
0-30	1,801.0	23.4%
0-40	3,067.9	39.8%
0-60	6,235.4	81%
60-90	1,461.1	19%
70-100	432.4	5.6%
90-120	1.3	0%
0-90	7,696.5	100%
90-180	2.8	0%
0-180	7,699.2	100%

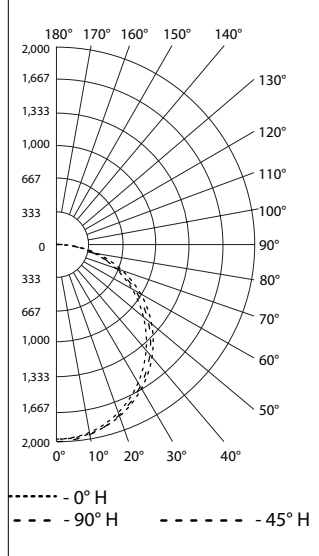
LUMENS PER ZONE

Zone	Lumens	% Total	Zone	Lumens	% Total
0-10	205.3	2.7%	90-100	0.8	0%
10-20	612.0	7.9%	100-110	0.3	0%
20-30	983.7	12.8%	110-120	0.2	0%
30-40	1,266.9	16.5%	120-130	0.2	0%
40-50	1,546.7	20.1%	130-140	0.2	0%
50-60	1,620.8	21.1%	140-150	0.3	0%
60-70	1,029.4	13.4%	150-160	0.3	0%
70-80	343.5	4.5%	160-170	0.3	0%
80-90	88.1	1.1%	170-180	0.1	0%

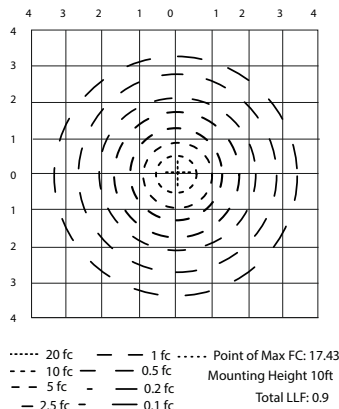
4ft, Diffused Polycarbonate Lens, 5000K CCT

Luminaire Lumens 5,860.7

POLAR CANDELA DISTRIBUTION



ISOFOOTCANDLE PLOT



ZONAL LUMEN SUMMARY

Zone	Lumens	% Luminaire
0-30	1,521.4	26%
0-40	2,511.9	42.9%
0-60	4,539.3	77.5%
60-90	1,313.9	22.4%
70-100	550.9	9.4%
90-120	3.8	0.1%
0-90	5,853.3	99.9%
90-180	7.4	0.1%
0-180	5,860.7	100%

LUMENS PER ZONE

Zone	Lumens	% Total	Zone	Lumens	% Total
0-10	183.8	3.1%	90-100	2.4	0%
10-20	528.8	9.0%	100-110	0.8	0%
20-30	808.8	13.8%	110-120	0.6	0%
30-40	990.5	16.9%	120-130	0.6	0%
40-50	1,051.4	17.9%	130-140	0.8	0%
50-60	976.1	16.7%	140-150	0.7	0%
60-70	765.5	13.1%	150-160	0.8	0%
70-80	444.6	7.6%	160-170	0.6	0%
80-90	103.8	1.8%	170-180	0.2	0%

① Applicable to standard (non emergency) fixtures only.

Rigmaster™ LED Series Luminaires

Enclosed and Gasketed Fixtures

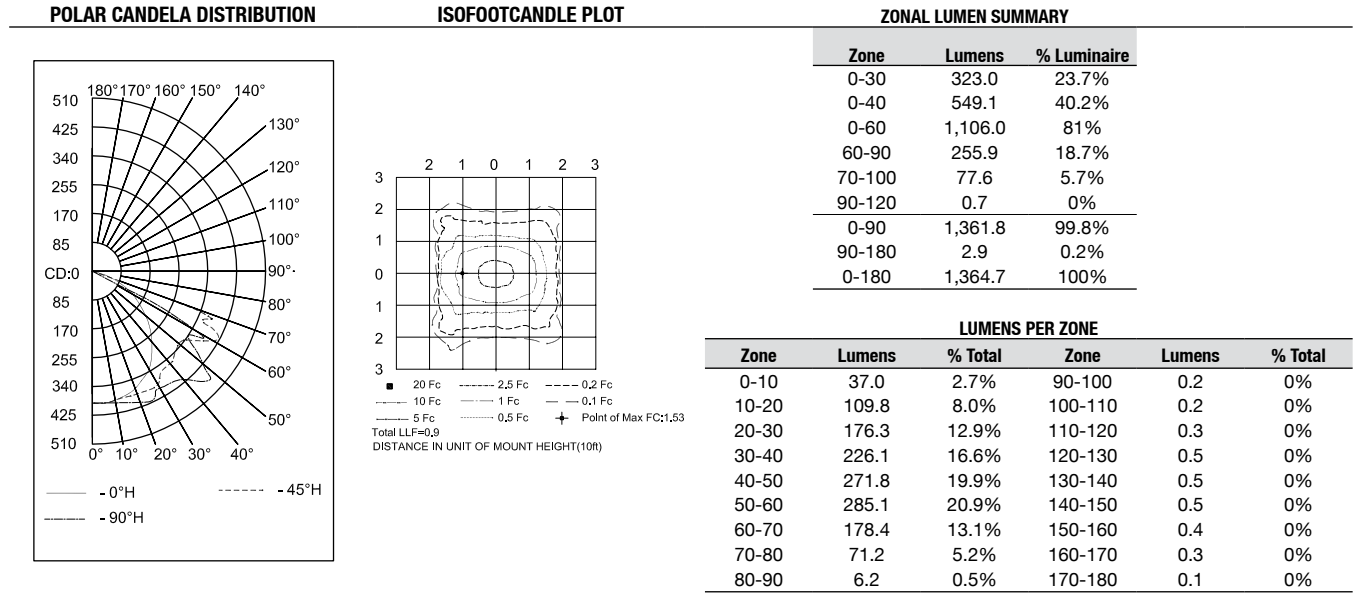
NEC/CEC:
 Class I, Division 2, Groups A, B, C, D
 Class II, Division 2, Groups F, G
 Class III
 Class I, Zone 2, Group IIC
 Class II, Zone 22

NEC/CEC:
 Type 3R, 4, 4X, IP66
 Simultaneous Exposure
 Suitable for Use in Wet Locations
 Marine Outside Type (Salt Water) – for US only ①

Photometric Data – DATA SHOWN IS ABSOLUTE

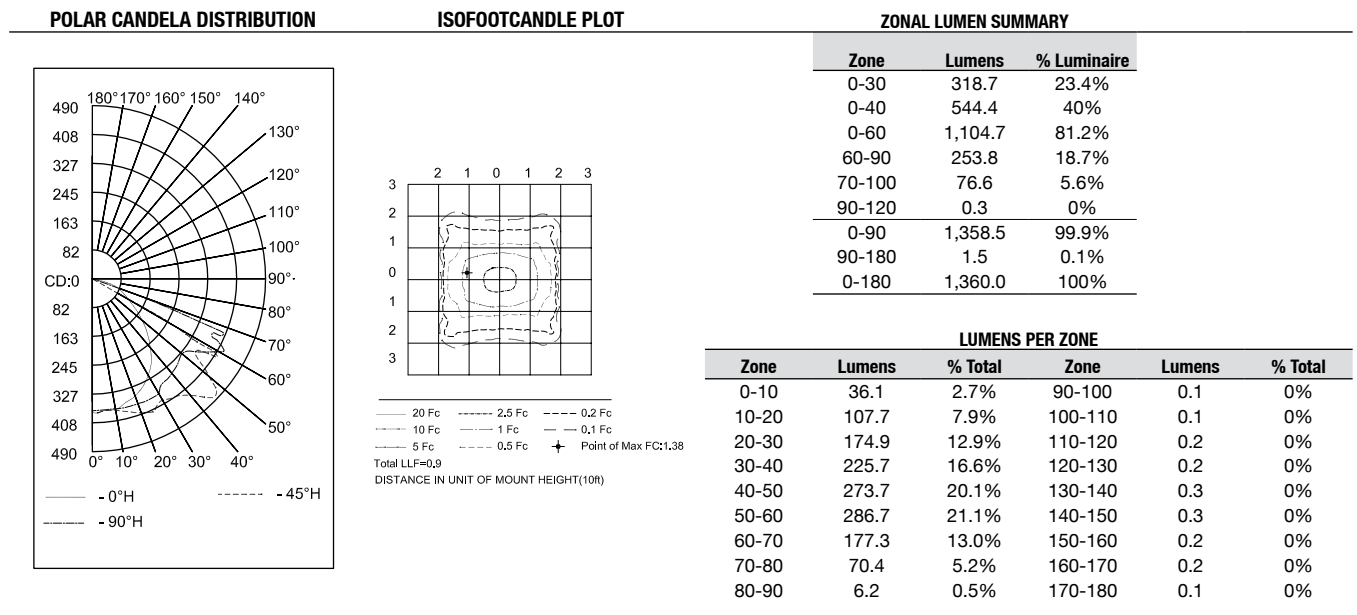
2ft Clear Polycarbonate Lens, 5000K CCT – Emergency Mode

Luminaire Lumens 1,364.9



4ft Clear Polycarbonate Lens, 5000K CCT – Emergency Mode

Luminaire Lumens 1,360.2



① Applicable to standard (non emergency) fixtures only.