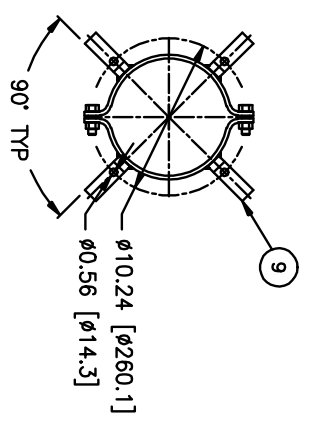
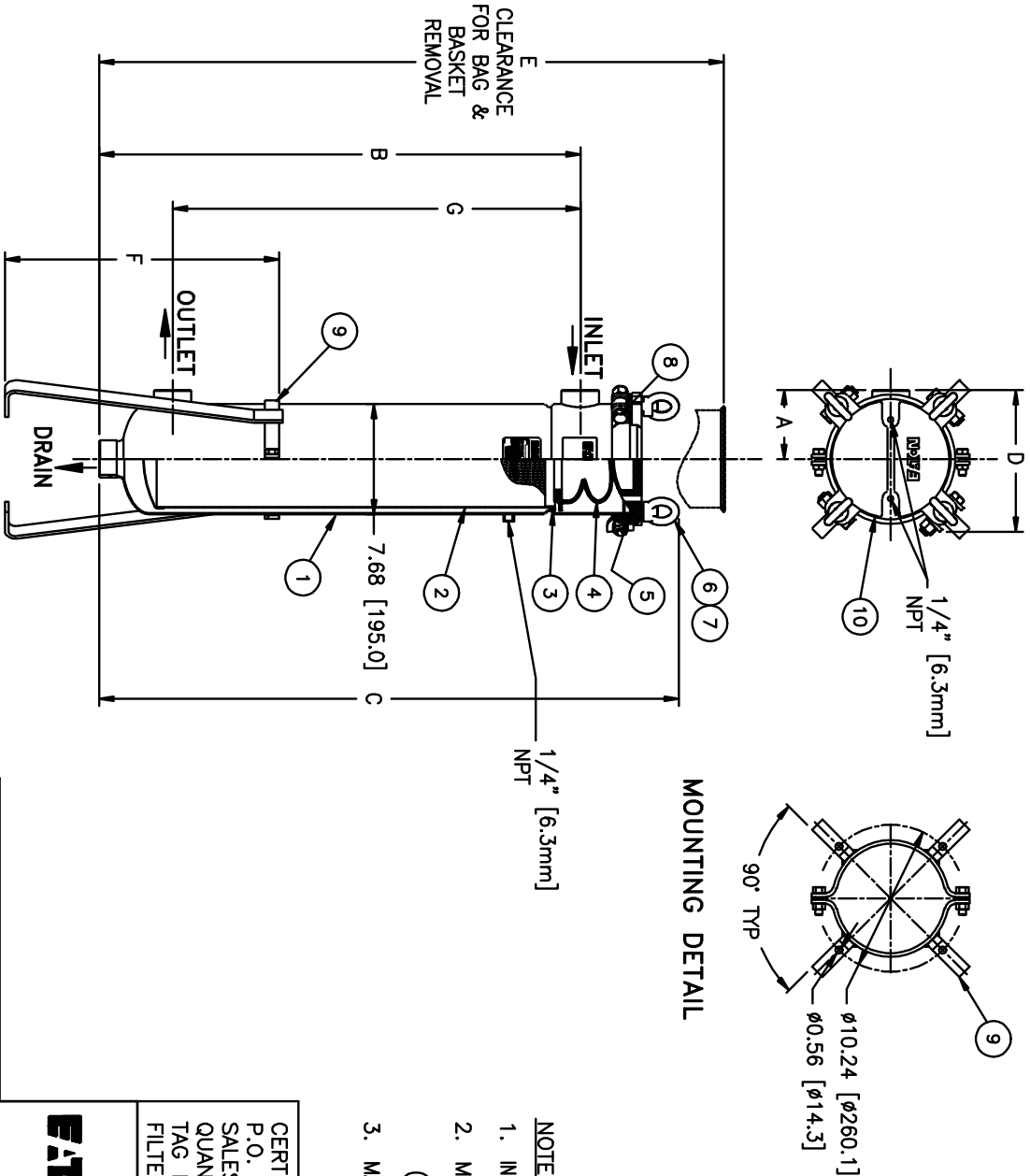


ITEM NUMBER	VESSEL CODE	BAG SIZE	A IN. / MM	B IN. / MM	C IN. / MM	D IN. / MM	E IN. / MM	F IN. / MM	G IN. / MM	FLOW RATE GPM (MAX)	WEIGHT LBS / KGS				
SBL101S62NSSBSP0	FBF2-0101-AB10-020N-L	01	4.80	122	18.39	467	25.25	641	9.88	251	35.55 / 903	19.10 / 485	11.5 / 292	90	37 / 16.8
SBL102S62NSSBSP0	FBF2-0102-AB10-020N-L	02	4.80	122	33.55	852	40.41	1026	9.88	251	66.50 / 1689	19.10 / 485	28.4 / 721	180	50 / 22.7



MOUNTING DETAIL

NO.	PART NAME	MATERIAL
1	BODY	316 STAINLESS STEEL
2	RESTRAINER BASKET	316 STAINLESS STEEL
3	BASKET O-RING	BUNA-N
4	BAG HOLD DOWN	KYNAR PUDF
5	O-RING	BUNA-N
6	EYE BOLT	STEEL, ZINC PLATED
7	EYE NUT	STEEL, ZINC PLATED
8	BOLT	STEEL, ZINC PLATED
9	LEGS	CARBON STEEL
10	COVER	316 STAINLESS STEEL

NOTES:

1. INLET/OUTLET/DRAIN 2" NPT CONNECTIONS
2. MAWP: 150 PSI @ 250° F (-20° F @ 150 PSI (10.3 BAR @ 121.1° C) (-28.9° C @ 10.3 BAR) MIDMT:
3. MAXIMUM OPERATING TEMP. 250° F (121.1° C)

CERTIFIED FOR:
P.O. NO.:
SALES ORDER NO.:
QUANTITY:
TAG NO.:
FILTER BAG:

Eaton
EATON FILTRATION, LLC
70 WOOD AVENUE SOUTH, ISELIN, NEW JERSEY 08830
NAME: FLOWLINE II FILTER VESSEL
2" NPT THREADED CONNECTION
STAINLESS STEEL

SIZE	DWG NO	DATE	CERT.	DATE	REV
A		02/11/10			A

ELECTRONIC FILE NAME: FBF211XS-DPSS0.dwg
REF. EOR DATE 02/11/10

UNAUTHORIZED USE, MANUFACTURE OR REPRODUCTION IN WHOLE OR IN PART IS PROHIBITED. DRAWING, DESIGN AND OTHER DISCLOSURES PROPERTY OF EATON FILTRATION, LLC

FBF211XS-DPSS0