

SD Series Static Discharge Grounding Reelites™

NEC/CEC:
Rated for (Unclassified) Locations

Applications

- SD Static Discharge Reelites are used for grounding portable machines or equipment operating in hazardous atmospheres. These Reelites safely dissipate static electrical buildup and reduce the chance of a spark and resulting explosion.
- SD Series Reelites are spring-driven and carry various lengths of wire cable with grounding clamps. They are applied to:
 - Fuel-transfer trucks
 - Barges
 - Dock side loading facilities
 - Grain elevators
 - Hazardous maintenance areas
 - Wherever flammable liquids or combustible dust is present
- Maximum Vdc resistance through Reelite and cable is approximately one ohm for each 15.2 meters (50 feet) of 2.38 mm (3/32") steel aviation control cable. On Reelites carrying 14 gauge, stranded, rubber-covered, copper cable, maximum Vdc resistance is approximately 0.15 ohms per 15.2 meters (50 feet) of cable.
- SD11 Series
 - Lightweight, compact, enclosed, all-steel construction.
 - 15.2 meter (50 foot) single or Y-type cable lengths in 3/32" galvanized steel aviation control cable with or without nylon jacket.
 - 100 Amp universal jaw type grounding clamp.
 - Gravity type ratchet.
 - Mounts on ceiling, wall or with base down to a clean, unpainted conductive surface to assure positive electrical continuity through frame.
- SD50A thru SD100A Series
 - Lightweight and compact. Rugged open drum design with all steel construction.
 - Available with cable lengths from 15.2 meters (50 feet) to 30.5 meters (100 feet), single and Y-type construction.

Standard Materials

- SD11, SD50A thru SD100A: all steel construction

Standard Finishes

- SD11 series: red epoxy powder coat
- SD50A thru SD100A Series: yellow epoxy/polyester powder coat

Options

- An SDG grounding stud and SDP grounding plug, required by some state regulations, provides positive grounding and prevents accidental cable severing.①
- Stainless steel cable is available, add suffix **-SS**
- Without ratchet, add suffix **-LR**



SD11 Series



SD50A thru SD100A Series



SDG

Permanent grounding stud
for 2.38 mm (13/32") hole.
Thread 3/8 – 16 UNC-2B.



SDP






Positive grounding plug.
Without cord.

Note:

① An SDG grounding stud and SDP grounding plug, required by some state regulations, provides positive grounding and prevents accidental cable severing. See next page for part numbers.

SD Series Static Discharge Grounding Reelites™

NEC/CEC:
Rated for (Unclassified) Locations

	Description	Catalog Number
	15.2 meters (50 feet) of 2.38 mm (3/32") galvanized steel aviation control cable. 1 ohm D.C. resistance.	SD11
	15.2 meters (50 feet) of 2.38 mm (3/32") nylon covered galvanized steel aviation control cable. 1 ohm D.C. resistance.	SD11N
	15.2 meters (50 feet) total cable length consisting of 10.7 meters (35 feet) of 2.38 mm (3/32") galvanized steel aviation control cable branching out to two 4.6 meters (15 feet) lengths with grounding clamps. 1 ohm D.C. resistance.	SD11Y
	15.2 meters (50 feet) of 2.38 mm (3/32") galvanized steel aviation control cable. 1 ohm D.C. resistance.	SD50A
	15.2 meters (50 feet) of 2.38 mm (3/32") galvanized-steel cable with 1/64" nylon jacket. 1 ohm D.C. resistance.	SD50AN
	30.5 meters (100 feet) of 2.38 mm (3/32") galvanized steel cable with 0.40 mm (1/64") nylon jacket. 1.5 ohm D.C. resistance.	SD100AN
	30.5 meters (100 feet) of 2.38 mm (3/32") galvanized steel aviation control cable. 2 ohms D.C. resistance.	SD100A
	22.9 meters (75 feet) total cable length consisting of 15.2 meters (50 feet) of 2.38 mm (3/32") galvanized steel aviation control cable branching out to two 7.6 meters (25 feet) lengths with grounding clamps. 1.5 ohms D.C. resistance.	SD75AY
	30.5 meters (100 feet) total cable length consisting of 22.9 meters (75 feet) of 2.38 mm (3/32") galvanized steel aviation control cable branching out to two 7.6 meters (25 feet) lengths with grounding clamps. 2.0 ohms D.C. resistance.	SD100AY
	Permanent Grounding Stud for 2.38 mm (3/32") hole. Thread 3/8-16 UNC-2B.	SDG
	Positive Grounding Plug. Without cord. #14 Type "S" 0.265 max.	SDP

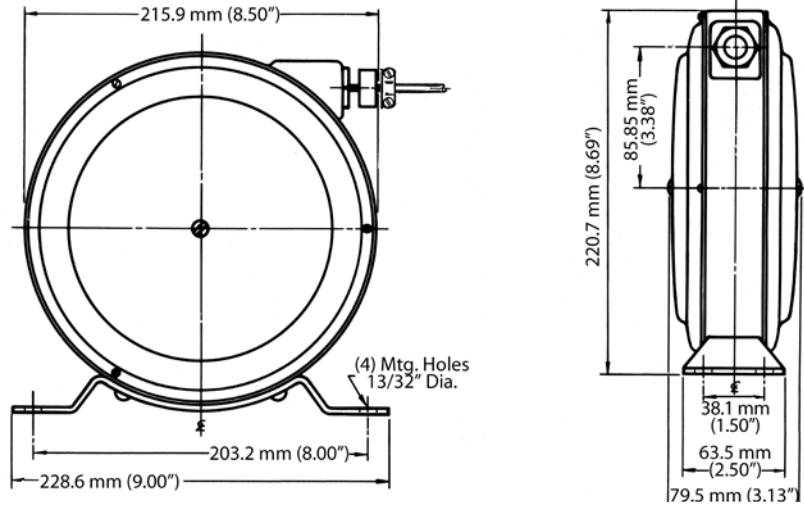
SD Series Static Discharge Reelites™

APPLETON™

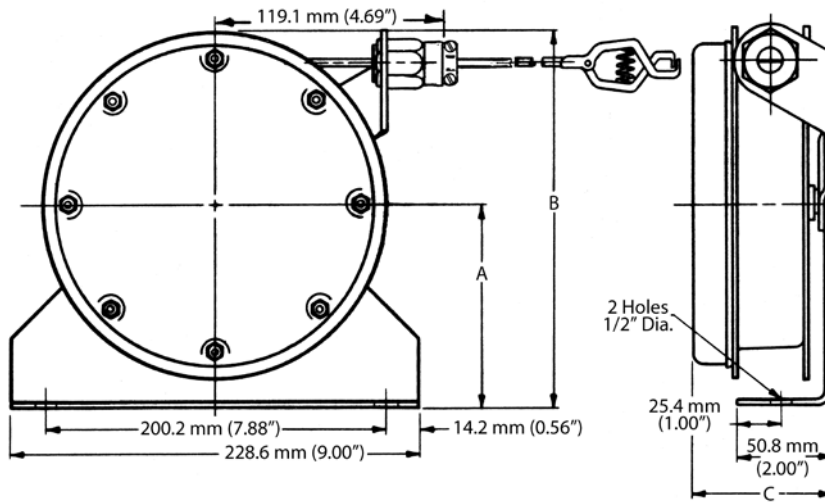
CONTROLS: NEC/CEC HAZARDOUS INDICATORS AND GROUNDING DEVICES

NEC/CEC:
Rated for (Unclassified) Locations

Dimensions in Millimeters (Inches)



SD11 Series



SD50A thru SD100A Series

Catalog Number	Dimensions in Millimeters (Inches)		
	A	B	C
SD50A	112.8 (4.44)	215.9 (8.50)	76.2 (3.00)
SD100A	127.0 (5.00)	244.6 (9.63)	95.3 (3.75)
SD75AY	127.0 (5.00)	244.6 (9.63)	95.3 (3.75)
SD100AY	127.0 (5.00)	244.6 (9.63)	95.3 (3.75)