

Installation Instructions for Mercmaster™ LED Luminaire

FOR PROPER AND SAFE INSTALLATION OF THIS PRODUCT, PLEASE READ THE FOLLOWING INSTRUCTIONS.

Applications

- Marine and wet locations;
- Areas where flammable gases and vapors are present under conditions defined by the ratings below;
- Areas of low clearance, low ceiling heights, or where fixture weights must be minimized;
- Non-hazardous locations where severe weather conditions, excessive moisture, dirt, dust, corrosive atmospheres, and high ambient temperatures are encountered.

Agency Ratings

- Class I, Division 2, Groups A, B, C, and D
- Class I, Zone 2, Group IIC
- Class II, Division 1, Groups E, F, and G
- Class II, Division 2, Groups F and G
- Class III
- Type 3R, 4, and 4X
- IP66 and IP67
- Wet locations
- Marine outside type (salt water) **NOTE:** For US applications only

Product Safety

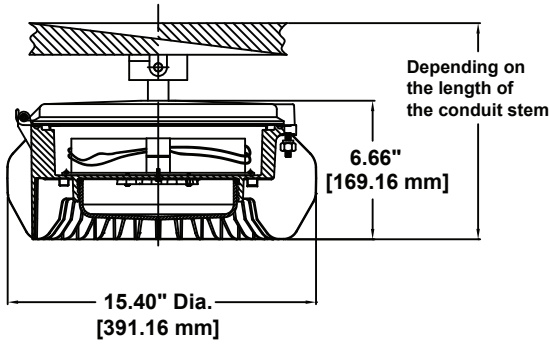
Signal Words Defined

DANGER indicates a hazardous situation which, if not avoided, will result in death or serious injury. **WARNING** indicates a hazardous situation which, if not avoided, could result in death or serious injury. **CAUTION** indicates a hazardous situation which, if not avoided, could result in minor or moderate injury. **NOTICE** is used to address practices not related to physical injury.

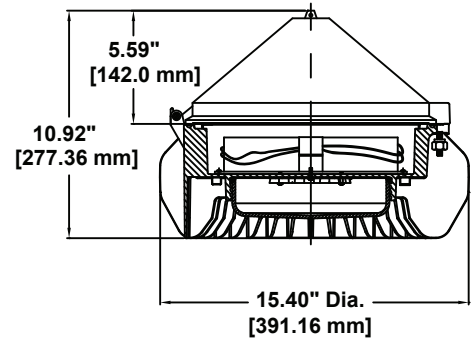
Safety Instructions

- ⚠ **WARNING:** Do not open or remove the luminaire with the circuit energized.
- ⚠ **WARNING:** Do not use this luminaire on ungrounded systems. Failure to ground the luminaire can result in an electric shock, which may be fatal.
- ⚠ **WARNING:** Do not use on ungrounded 480 Volt circuits.
- ⚠ **CAUTION:** Do not look directly at the LEDs when energized.
- ⚠ **NOTICE:** Do not touch the LEDs; touching could leave oily deposits, causing hot spots and potential premature failure.
- ⚠ **NOTICE:** When installing in a hazardous location, it is necessary that the globe and all conduit plugs are tightly secured and all luminaire fittings (mounting hood and luminaire) are tightly secured to the LED housing to prevent water and dust entry. The globe should be cleaned periodically to maintain lighting efficiency.
- ⚠ **NOTICE:** This luminaire is designed for and should be installed in accordance with the National Electrical Code/Canadian Electrical Code and all applicable local codes.

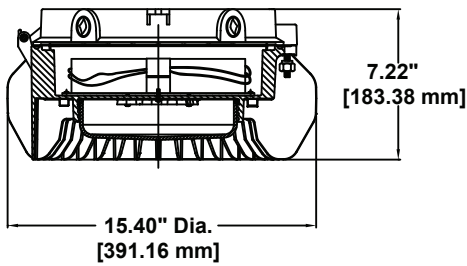
Dimensions



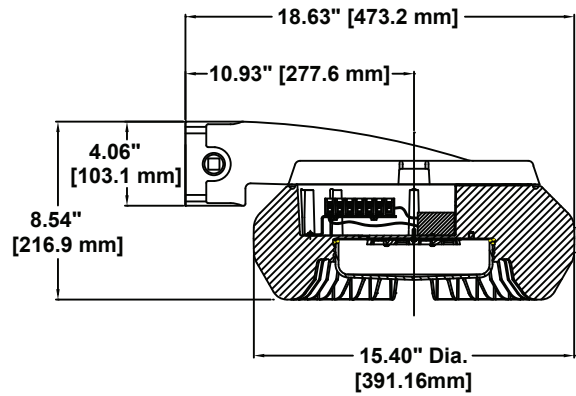
PENDANT MOUNT



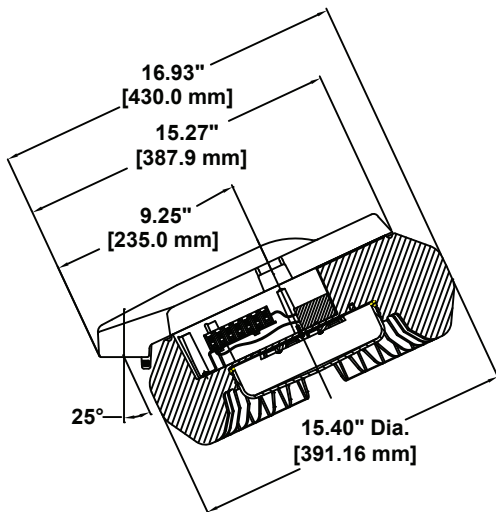
PENDANT CONE MOUNT



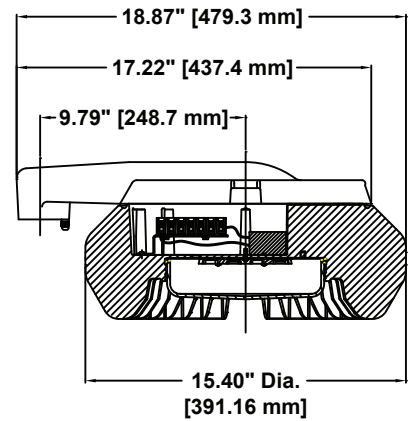
CEILING MOUNT



WALL MOUNT



25° STANCHION MOUNT



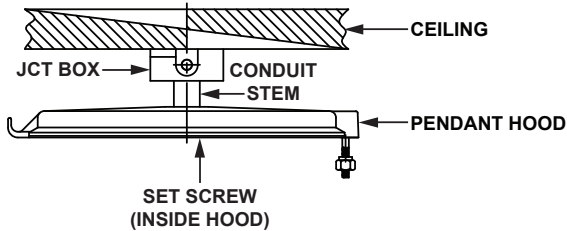
90° STANCHION MOUNT

Mounting Hoods

Pendant (KPA-75, KPA-100, KPAF-75, KPAF-100)

Mounting:

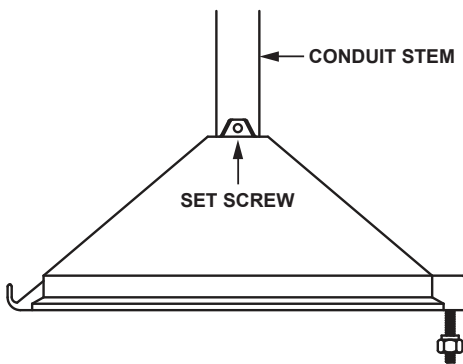
1. Apply TLC-3 grease in approximately three equal lines, spaced equally apart on the conduit stem. Thread the pendant hood onto the 3/4 inch or 1 inch conduit stem.
2. Tighten the set screw inside the hood.



Pendant Cone (KPCH-75, KPCH-100)

Mounting:

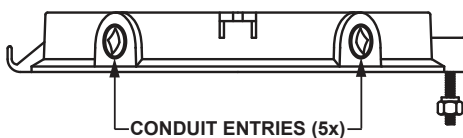
1. Apply TLC-3 grease in approximately three equal lines, spaced equally apart on the conduit stem. Thread the pendant cone hood onto the 3/4 inch or 1 inch conduit stem.
2. Tighten the set screw.



Ceiling (KPC-75, KPC-100)

Mounting:

1. Bolt the ceiling hood directly to a structural member; thread onto a 3/4 inch or 1 inch conduit stem; or bolt to a flush mounted junction box (see NOTES).
2. Remove unused conduit plugs and reinstall with TLC-3 grease applied in approximately three equal lines, spaced equally apart on the conduit plugs.



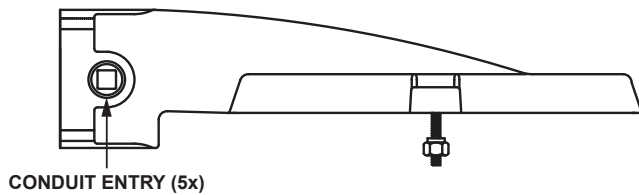
NOTES:

- Four drill marks on the 3-1/2 inch pitch diameter are provided for junction box mounting.
- Install the junction box gasket (supplied) between the junction box and the ceiling hood.

Wall (KPWB-75, KPWB-100)

Mounting:

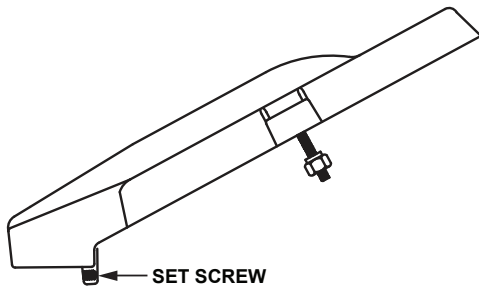
1. Bolt the wall hood to a structural member.
2. Remove unused conduit plugs and reinstall with TLC-3 grease applied in approximately three equal lines, spaced equally apart on the conduit plugs.



25° Stanchion (KPS-125, KPS-150)

Mounting:

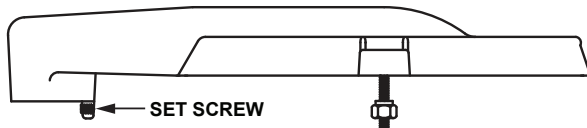
1. Apply TLC-3 grease in approximately three equal lines, spaced equally apart on the conduit stem. Thread the stanchion hood onto the 1-1/4 inch or 1-1/2 inch conduit stem. **NOTE:** Five full threads must be engaged.
2. Determine the orientation and tighten the set screw.



90° Stanchion (KPST-125, KPST-150)

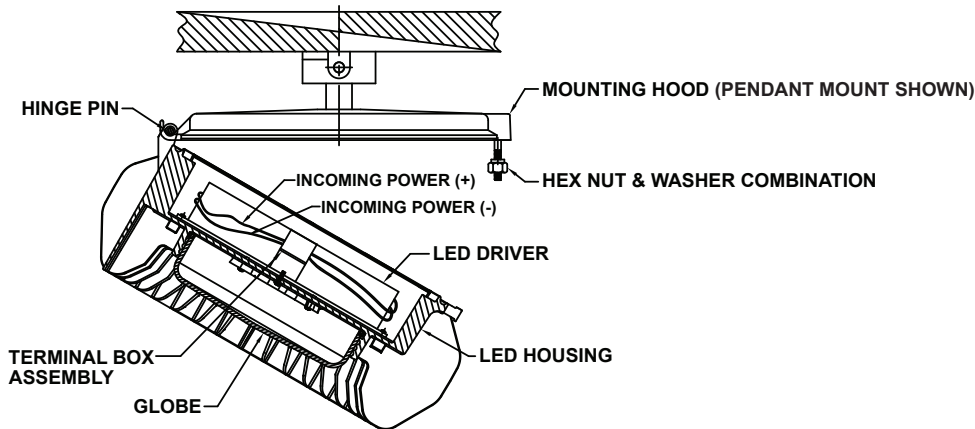
Mounting:

1. Apply TLC-3 grease in approximately three equal lines, spaced equally apart on the conduit stem. Thread the stanchion hood onto the 1-1/4 inch or 1-1/2 inch conduit stem. **NOTE:** Five full threads must be engaged.
2. Determine the orientation and tighten the set screw.

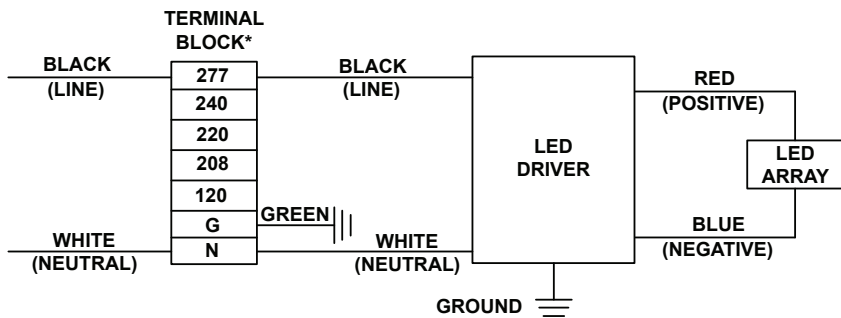


LED Housing

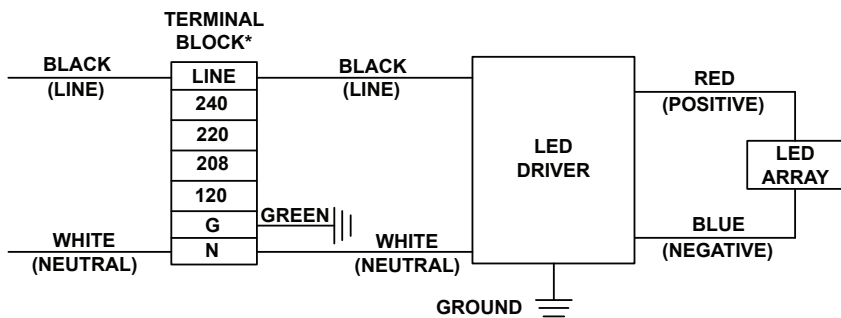
Installation



1. Feed the proper temperature supply wire into the mounting hood. See the product nameplate for supply wire requirements.
2. Hang the LED housing on the hinge; secure with the hinge pin.
3. Connect power to the proper leads of the terminal block. Suitable power: 120–277 V, 50/60 Hz for catalog numbers MLEDN70P5BU, MLEDN10P5BU, MLEDN15P5BU, MLEDN17P5BU, and MLEDN25P5BU; 347–480 V, 50/60 Hz for catalog numbers MLEDN70P5BH, MLEDN10P5BH, MLEDN15P5BH, MLEDN17P5BH, and MLEDN25P5BH.



* TERMINAL BLOCK FOR MLEDN70P5BU, MLEDN10P5BU, MLEDN15P5BU, MLEDN17P5BU, & MLEDN25P5BU



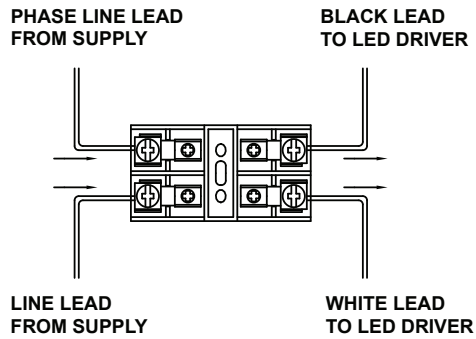
* TERMINAL BLOCK FOR MLEDN70P5BH, MLEDN10P5BH, MLEDN15P5BH, MLEDN17P5BH, & MLEDN25P5BH

4. Connect the supply and housing bonding leads to the GREEN bonding lead in the mounting hood.
5. Fold all excess supply leads and fasten them into the mounting hood with the wire tie (supplied) to avoid pinching the wires.
6. Swing the LED housing up and tightly secure with the hex nut and washer combination.

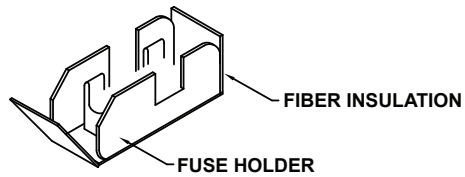
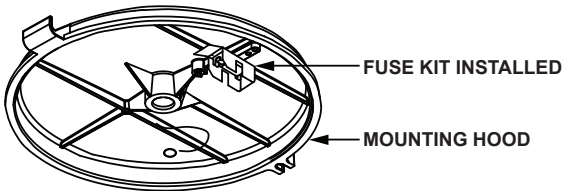
Optional Fuse Kit

Installation

1. Attach the line and LED leads to the fuse holder per the diagram below.

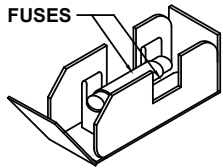


2. Attach the fuse holder and fiber insulation to the boss inside the mounting hood with the thread forming screws (supplied).



3. Complete the wire connections.

4. Install the fuses.



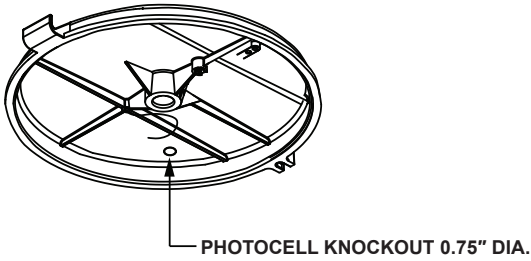
NOTES:

- Canadian Electrical Code does not allow fusing in hazardous locations.

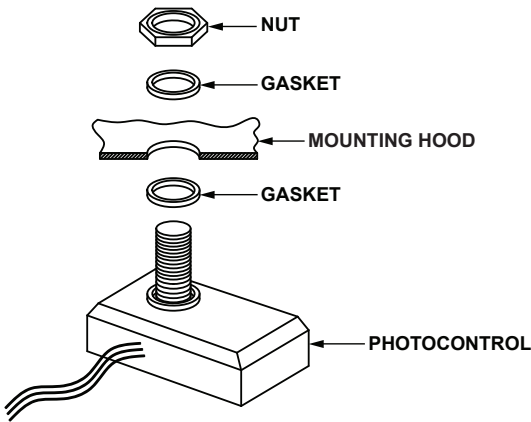
Optional Photocontrol for Hazardous Locations

Installation

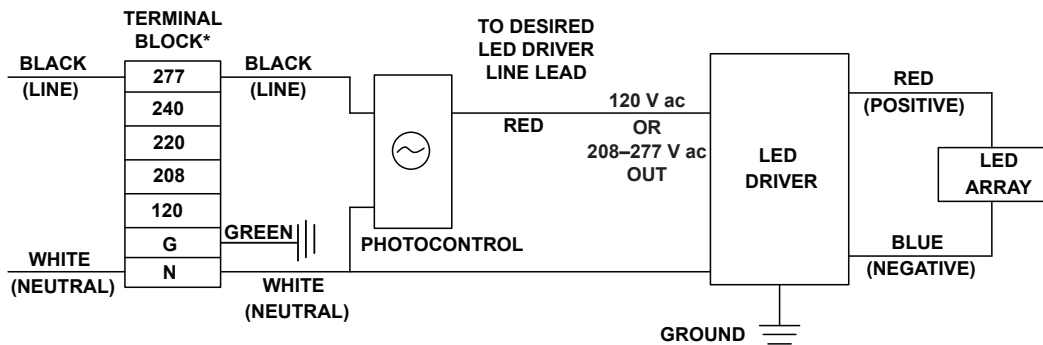
1. Drill into the photocell knockout hole (inside the mounting hood). The hole size should be 0.75 inch diameter.



2. Place gaskets (supplied) between the photocontrol and mounting hood and between the mounting hood and nut; tighten the nut.



3. Complete the wire connections per the diagram below.



* TERMINAL BLOCK FOR MLEDN70P5BU, MLEDN10P5BU, MLEDN15P5BU, MLEDN17P5BU, & MLEDN25P5BU SHOWN
 AVAILABLE PHOTOCONTROLS: PC120D2 FOR 120 V ac; PC242D2 FOR 208-277 V ac

NOTES:

- Photocontrol does not fit ceiling or pendant cone mounting hoods.
- Photocontrol provides automatic dusk-to-dawn lighting control in Class I, Division 2 locations only. The luminaire with photocontrol must comply with all UL requirements.
- Luminaires with photocontrol are not rated IP66/IP67 or Marine outside type (salt water).

Except as expressly provided by Appleton Electric, LLC (Appleton), Appleton products are intended for ultimate purchase by industrial users and for operation by persons trained and experienced in the use and maintenance of this equipment and not for consumers or consumer use. Appleton warranties DO NOT extend to, and no reseller is authorized to extend Appleton's warranties to any consumer.

While every precaution has been taken to ensure accuracy and completeness in this manual, EGS Electrical Group, LLC, assumes no responsibility, and disclaims all liability for damages resulting from use of this information or for any errors or omissions. Specifications are subject to change without notice. The Appleton and Emerson logos are registered in the U.S. Patent and Trademark Office. All other product or service names are the property of their registered owners. ©2013 EGS Electrical Group, LLC. All rights reserved.