

Type 1036 In-Line Sanitary Pressure Gauge Type 1037 Sanitary Instrument Fitting



FEATURES

Type 1036 Sanitary Gauge

- All-welded SS wetted surfaces
- Field liquid-fillable gauge case
- True Zero™ pointer indication
- PowerFlex™ movement for extended life
- Easy Zero™ external pointer adjustment standard
- Retrofits Anderson Instrument CPM design

Type 1037 Fitting

- Pipe O.D. sizes from 1/2" thru 2"
- 316L SS
- Electropolished 12-20RA (microinches) internal surface finish
- Heat number of wetted materials stamped on each fitting
- Actual material certificates and certificate of conformance supplied as standard to EN 10204:2004 3.1
- Both 1036 and 1037 are 3A-74 compliant

Note: XLL *Plus!*™ design is not recommended for gauges expected to be exposed to temperatures over 200°F (93°C). This includes gauges subject to autoclaving.

Designed specifically for the pharmaceutical, biotechnology and food processing markets, the Ashcroft® Type 1036 in-line sanitary pressure gauge and Type 1037 sanitary instrument fitting virtually eliminate process dead-leg. The design of the Type 1036 sanitary gauge and 1037 instrument fitting allows for the diaphragm of the gauge to be positioned flush with the gauge instrument fitting, eliminating the pocket or deadleg that may cause contamination.

The Type 1036 sanitary gauge and Type 1037 instrument fitting utilize a standard 1 1/2" Tri-Clamp® connection and clamp. This feature offers flexibility to use the Ashcroft Type 1036 with the Type 1037 instrument fitting on sanitary instrument fittings for pipe sizes from 1/2" thru 2".

The Ashcroft Type 1036 sanitary pressure gauge and 1037 fitting can be auto-claved or sterilized⁽¹⁾, and cleaned (CIP) or steamed in place (SIP). The gauge comes standard with True Zero™ pointer indication. Since the Type 1036 has no dial stop pin, the gauge pointer always indicates a true reading.

⁽¹⁾ Optional polysulfone window required.

HOW TO ORDER 1036 (Typical example)

Dial Size: 3 1/2" 35 Case Type: 1036 System Mat'l: SS Fill: (L) Glycerin 15 L Connection Size: 1.5" seal XXX Connection Location: Lower 100#
 X Variations _____
 Range _____

HOW TO ORDER 1037 (Typical example) Please use part number reference below

Size	Product Code	Part Number To Order
1/2"	50 1037	292C139-01
3/4"	75 1037	292C139-02
1"	10 1037	292C139-03
1 1/2"	15 1037	292C139-04
2"	20 1037	292C139-05

Type 1036 In-Line Sanitary Pressure Gauge Type 1037 Sanitary Instrument Fitting

SPECIFICATIONS - Type 1036

Dial Size: 3½" (only)

Accuracy: 1.5% F.S. for pressure ranges 100 psi and above. 2.0% F.S. for vacuum, compound and ranges below 100 psi.

Case & Ring Material: 304 SS

Ring Type: Bayonet, removable

Bourdon Tube and Socket Material: 316L SS

Diaphragm Material & Surface Finish:

316L SS, 12 to 20RA (microinches)

Diaphragm O-Ring: Buna-N[®](1) (standard), Viton[®](1) (XVD), EPDM (XEM)

Connection Location: Lower 1½" Triclamp[®] only

System Fill: USP food grade glycerin

Window Material: Polycarbonate

Pointer: Black-painted aluminum with external zero adjust (Easy Zero™)

Dial: White with black markings

Movement: 300 series SS

Agency Approvals: 3A compliance to sanitary standard 74

Ranges: 15# thru 600#, including compound & vacuum

Clean or Steam in Place: (CIP or SIP): Temperature limit of 200°F (138°C)

Autoclave or Sterilize⁽¹⁾: Temperature limit of 300°F (149°C) when supplied with polysulfone window

A polysulfone window for autoclave/sterilization must be provided. Specify the XPS variation.

SPECIFICATIONS - Type 1037 CODE

316L SS construction std.

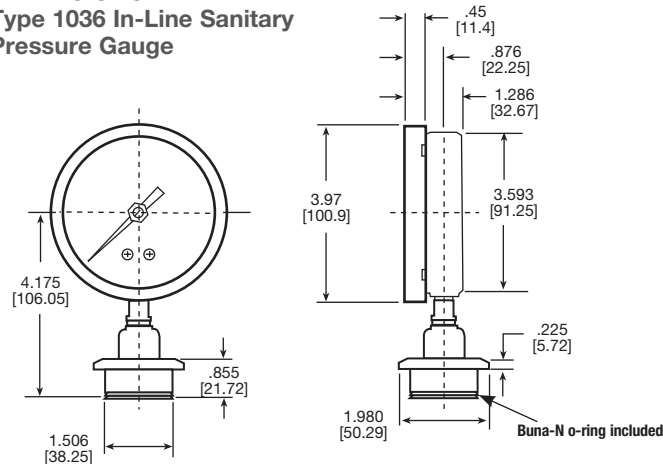
Wetted parts electropolished to 12 to 20RA (microinches) surface finish std.

Heat number stamped on fitting std.

The standard 1036 is supplied with a Buna-N[®] O-ring. Optional O-rings can be ordered. Order XVD for Viton[®] and XEM for EPDM.

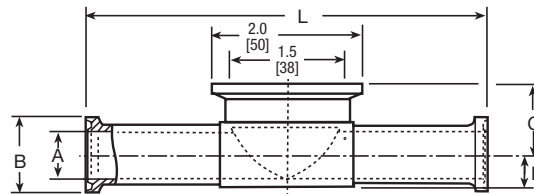
(1) XLL *Plus!*[™] design is not recommended for gauges expected to be exposed to temperatures over 200°F (93°C). This includes gauges subject to autoclaving.

DIMENSIONS - Type 1036 In-Line Sanitary Pressure Gauge



Note: The 1036 sanitary gauge fits into all sizes of the 1037 fitting.

DIMENSIONS - Type 1037 Instrument Fitting



Inch/mm	A	B	C	D	L
½"	.38	.98	.81	.31	5.25
50	(9.6)	(24.9)	(20.6)	(7.9)	(133.4)
¾"	.63	.98	.93	.43	5.25
75	(15.9)	(24.9)	(23.6)	(10.9)	(133.4)
1"	.87	1.98	1.05	.55	4.75
10	(22.1)	(50.4)	(26.7)	(14.1)	(120.7)
1½"	1.37	1.98	1.31	.81	5.50
15	(34.7)	(50.4)	(33.3)	(20.6)	(139.7)
2"	1.86	2.51	1.56	1.06	7.00
20	(47.2)	(62.8)	(39.6)	26.9	177.8

Note: Mounting any of these models in other than a vertical position could cause non-compliance with 3A-74.