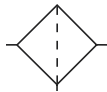


Afterfilter AF2

= "Most Popular"



Afterfilter



AF2-04-S00

Features

- Quick-Disconnect Bowl
- Metal Bowl Guard
- 0.5 Micron Element
- Particulate Filter
- High Dirt Holding Capacity

Specifications

Flow Capacity*	1/4	55.7 SCFM (26.3 dm ³ /s)
	3/8	77.3 SCFM (36.5 dm ³ /s)
	1/2	91.0 SCFM (42.9 dm ³ /s)
Maximum Supply Pressure	Plastic Bowl	150 PSIG (10.3 bar)
	Metal Bowl	200 PSIG (13.8 bar)
Operating Temperature	Plastic Bowl	32° to 125°F (0° to 52°C)
	Metal Bowl	32° to 150°F (0° to 65.5°C)
Port Size	NPT / BSPP-G	1/4, 3/8, 1/2
Standard Filtration	0.5 Micron	
Weight	2.44 lb. (1.1 kg)	

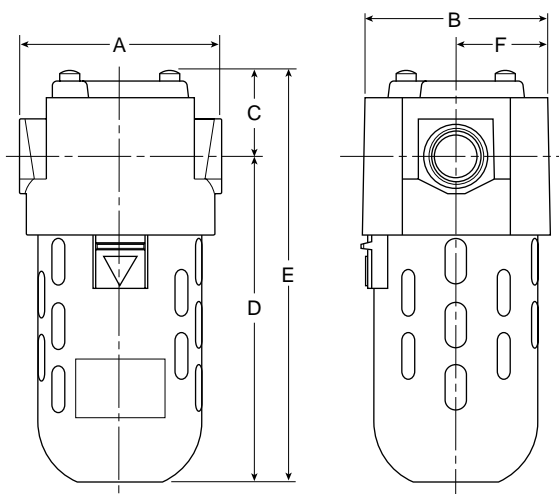
* Inlet pressure 150 PSIG (10.3 bar). Pressure drop 3 PSID (0.2 bar).

"AF" Series Afterfilters, with Type "B" 0.5 micron elements:

All Wilkerson Type "AF" Afterfilters with 0.5 micron elements **exceed ISO Class 2** for maximum particle size and concentration of solid contaminants, and **exceed Class 3** on maximum oil content (ppm/wt).

Materials of Construction

Body	Zinc	
Bowls	Plastic Bowl	Polycarbonate
	Metal Bowl	Zinc
Element Retainer	Brass Stud	
Filter Element	Borosilicate Cloth	
Seals	Fluorocarbon	



Dimensions

Models	Inches (mm)	A	B	C	D	E	F
Standard Unit, "B" Element AF2-XX-S00		3.35 (85)	3.00 (76)	1.42 (36)	5.52 (140.2)	6.94 (176)	1.50 (38)
Metal Bowl AF2-XX-MS0		3.35 (85)	3.00 (76)	1.42 (36)	6.30 (160)	7.72 (196)	1.50 (38)

= "Most Popular"

Replacement Bowl Kits

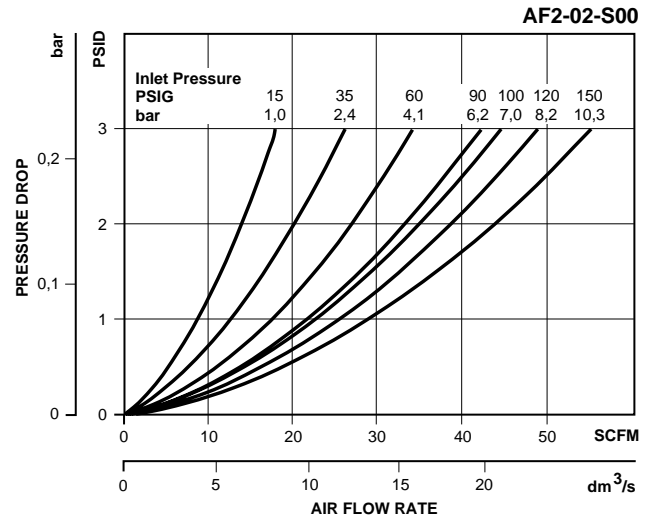
- Metal Bowl –
 - Brass Petcock GRP-95-930
 - Sight Gauge, Brass Petcock GRP-95-931
- Metal Bowl Guard (for Plastic Bowls) GRP-96-936
- Plastic Bowl –
 - Plastic Petcock LRP-95-958
 - Metal Bowl Guard, Plastic Petcock LRP-95-967
- Plastic Bowl, No Drain Port, Solid Bottom LRP-96-938

Replacement Element Kit

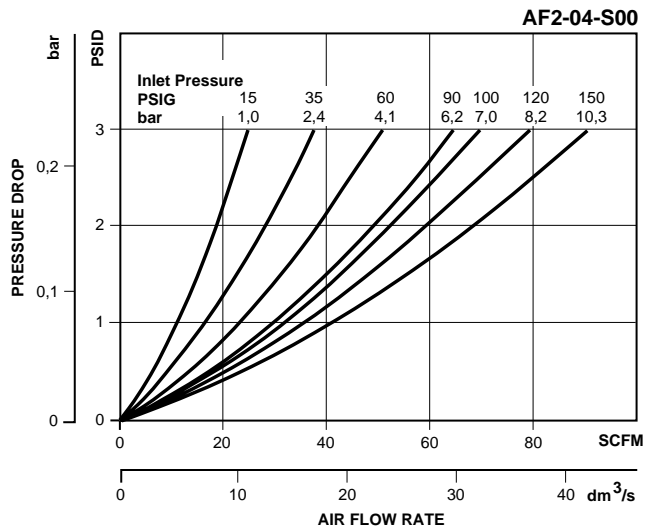
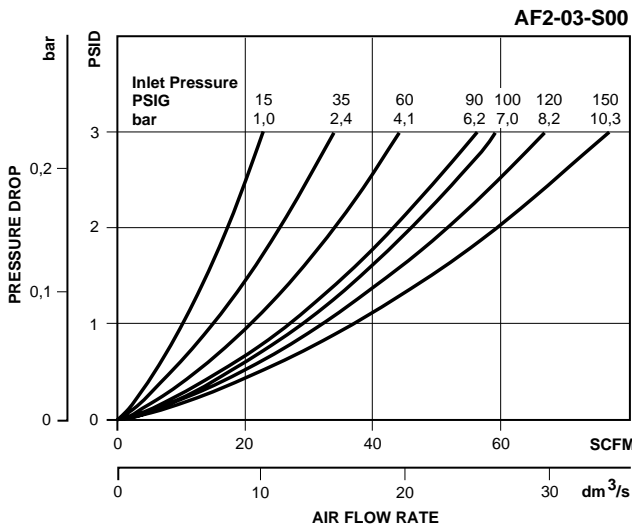
- Type "B", 0.5 Micron MSP-95-989

Accessories

- Cap, Differential Pressure Indicator
for Pressures over 150 PSIG (10,3 bar) GRP-95-020
- Differential Pressure Indicator DP2-02-000
- Manual Drain –
 - Brass Petcock GRP-95-182
 - Plastic Petcock LRP-95-181
- Sight Gauge Kit (for Metal Bowls) GRP-95-079
- Wall Mounting Bracket, Type-L GPA-95-946



B
Filters, Regulators, Lubricators



Ordering Information

Model Type	Port Size	Polycarbonate Bowl / Bowl Guard / No Drain	Metal Bowl with Petcock
Type "B" Element is Standard (No Drain)	1/4	AF2-02-S00	AF2-02-MS0
	3/8	AF2-03-S00	AF2-03-MS0
	1/2	AF2-04-S00	AF2-04-MS0

Options - To order an option supplied with the unit model, add the appropriate coded suffix letter in the designated position of the model number.