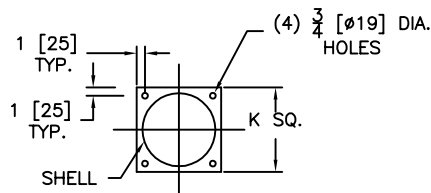
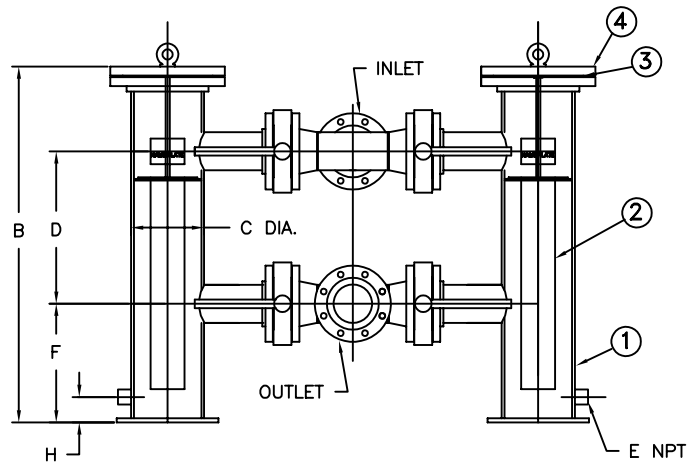
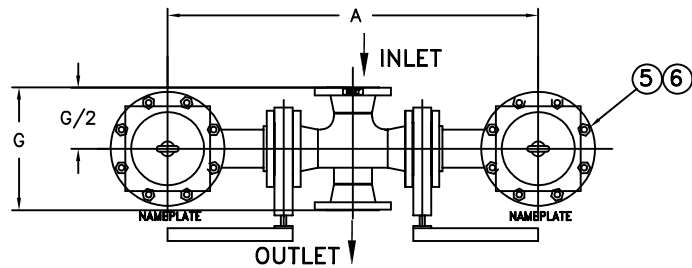


NO.	PART NAME	MATERIAL	PIPE SIZE (NOMINAL)	DIMENSIONS									APPROX. WEIGHT LBS. KG	PART NO.
				A IN. MM	B IN. MM	C IN. MM	D IN. MM	E IN. MM	F (NOM.) IN. MM	G IN. MM	H IN. MM	K IN. MM		
1	BODY	CARBON STEEL												
2	BASKET	-	2 (50mm)	35.25/ 895	34.00/ 864	6.63/ 168	16.00/ 406	1.00/ 25	12.00/ 305	10.25/ 203	3.00/ 76	8.00/ 203	345/ 156	ST952020BR3BA
	PERF. DIA.	-	3 (75mm)	39.50/ 1003	38.00/ 965	6.63/ 168	16.00/ 406	1.00/ 25	14.00/ 356	12.50/ 318	3.00/ 76	8.00/ 203	430/ 195	ST952030BR3BA
	MESH	-	4 (100mm)	43.75/ 1111	42.00/ 1067	8.63/ 219	18.00/ 457	1.00/ 25	14.00/ 356	14.50/ 368	3.00/ 76	10.00/ 254	700/ 317	ST952040BR3BA
3	GASKET	NON ASBESTOS	6 (150mm)	53.00/ 1346	42.00/ 1067	10.75/ 273	18.00/ 457	1.00/ 25	14.00/ 356	18.50/ 470	3.00/ 76	12.00/ 305	1100/ 499	ST952060BR3BA
4	COVER	CARBON STEEL												
5	BOLTS	A 193 B7												
6	NUTS	A 194 2H												



NOTES:

- UNITS ARE DESIGNED & FABRICATED AND "U" STAMPED (IF REQ'D.), IN ACCORDANCE WITH THE ASME BOILER & PRESSURE VESSEL CODE SECTION VIII, DIVISION 1, IN COMPLIANCE TO CURRENT PUBLISHED ADDENDA.
- ALL BOLT HOLES STRADDLE NATURAL CENTERLINES.
- ALL DIMENSIONS ARE IN INCHES [MM].
- ALL FITTINGS CONFORM WITH ASME B16.5.
- DESIGN PRESSURE: 150 PSIG @ 150°F  
(10.3 BARG @ 65.6°C)  
MDMT: -20°F @ 150 PSIG  
(MDMT: -28.9°C @ 10.3 BAR)
- VALVES: BUTTERFLY VALVE, WAFER STYLE, C.I. BODY, D.I. DISC, S. STEEL SHAFT, PTFE BUSHING, BUNA-N OR EPDM SEATS W/ LEVER OPERATOR
- PAINT: PER STD. ES-309

CERTIFIED FOR:

P.O. NO.:

REG. NO.:

QUOTE NO.:

TAG NO.:

BASE PLATE DETAIL

UNAUTHORIZED USE, MANUFACTURE OR REPRODUCTION IN WHOLE OR IN PART IS PROHIBITED. DRAWING, DESIGN AND OTHER DISCLOSURES PROPERTY OF EATON FILTRATION, LLC

<b>EATON</b>				<b>EATON FILTRATION, LLC</b>			
900 FAIRMOUNT AVENUE, ELIZABETH, NEW JERSEY 07207							
NAME				MODEL 950B DUPLEX STRAINER			
				150# RF FLANGE, BOLTED COVER			
				SIZES 2", 3", 4", 6" CARBON STEEL			
DRAWN	LH	DATE	3/15/04	CERT.	FM	DATE	3/15/04
SIZE	DWG	SD952BC1				REV	D
A	NO						

ELECTRONIC FILE NAME: SD952BC1.DWG  
REF. ECR 0052263 DATE 03/11/11

REV 8/00