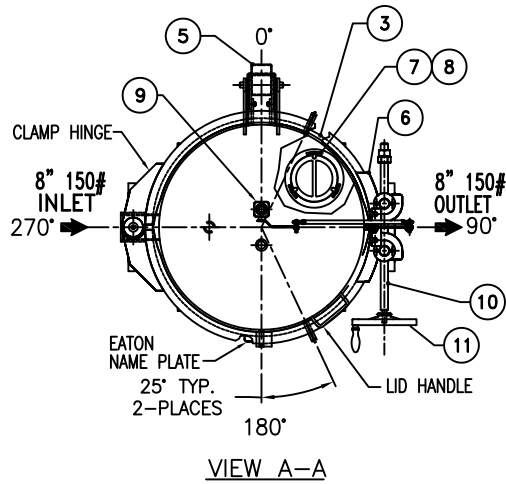
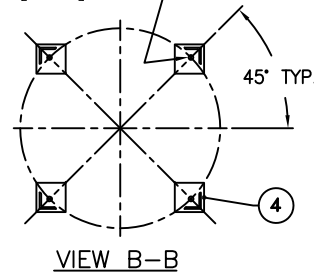


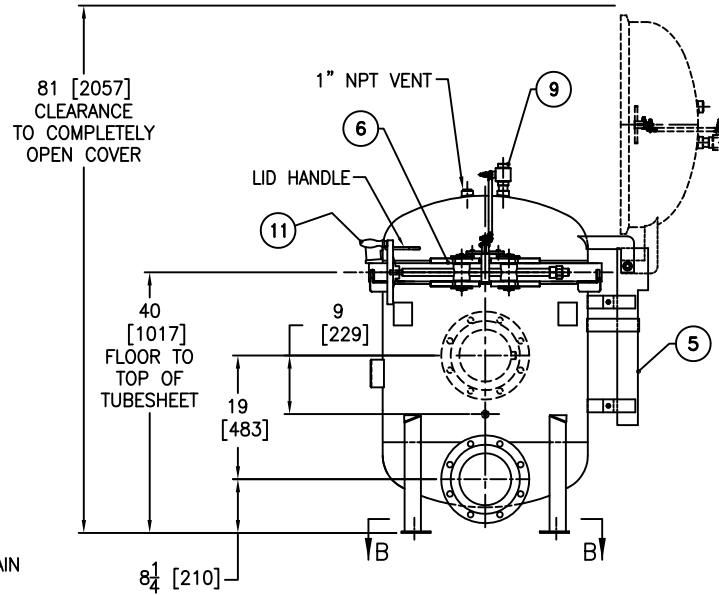
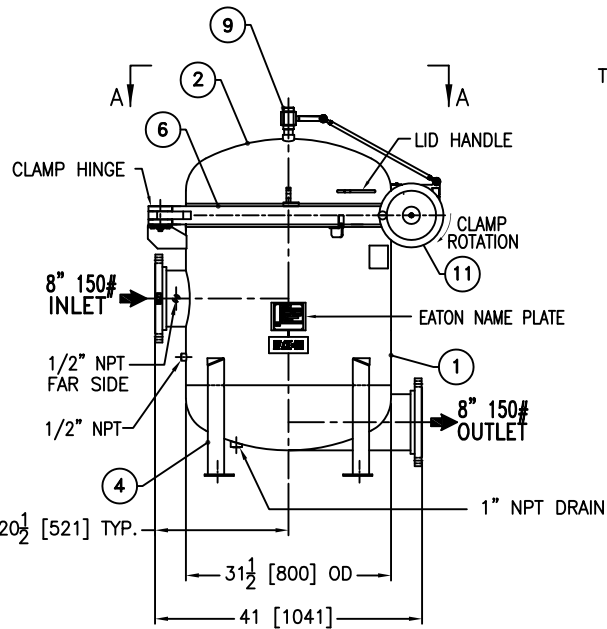
| REVISIONS | | | | |
|-----------|-----------------|-----|---------|----------|
| REV | DESCRIPTION | BY | ECO | DATE |
| E | UPDATED DRAWING | FJM | 0083048 | 03/15/13 |



(4) .75 [19.0] ϕ BOLT HOLES
LOCATED ON 30.71 [780.0] B.C.D.



| ITEM | PART NAME | MATERIAL |
|------|--------------------------------|-------------------------|
| 1 | BODY | SA240-316/316L |
| 2 | COVER | SA240-316/316L |
| 3 | O-RING P/N L0000293 | BUNA-N |
| 4 | LEGS | STAINLESS STEEL |
| 5 | SPRING ASSISTED MECHANISM | STAINLESS STEEL |
| 6 | CLAMP ASSEMBLY | STAINLESS STEEL |
| 7 | RESTRAINER BASKET P/N L0001753 | 316 SS |
| 8 | FILTER BAG HOLD DOWN | 316 SS |
| 9 | 1" VENT VALVE ASSY. | 316 SS |
| 10 | SPINDLE BOLT | SA193-B7 NEDOX COATED |
| 11 | SPINDLE HANDLE | ALUMINUM (BLACK COATED) |



NOTES:

- UNITS ARE DESIGNED, FABRICATED & U STAMPED IN ACCORDANCE WITH ASME SECT. VIII, DIV. 1 BOILER & PRESSURE VESSEL CODE, IN COMPLIANCE TO LATEST ADDENDA.
- INLET/OUTLET FLANGE CONNECTIONS PER ANSI B16.5
- DESIGN PRESSURE: 150 PSIG @ 250°F (10.3 BAR @ 121.1°C)
- DIMENSIONS SHOWN IN [] ARE IN MILLIMETERS AND FOR REFERENCE ONLY. ACCEPTANCE OF THIS PART WILL BE BASED ON "INCH" UNITS & TOLERANCES ONLY.
- ALL BOLT HOLES STRADDLE NATURAL CENTERLINE.
- APPROX. WEIGHT (DRY): 970 lbs. (439 kgs.)
- APPROX. SHIPPING WEIGHT 1100 lbs. (498 kgs.)

| TOLERANCES (UNLESS OTHERWISE SPECIFIED) | |
|--|---|
| DECIMAL: | .X \pm .030 .XX \pm .010 .XXX \pm .005 |
| FRACTIONAL: | $\frac{1}{8}$ \pm .005 $\frac{1}{16}$ \pm .003 |
| NOZZLE ϕ TO FLOOR: | $\frac{1}{4}$ " < 4' > $\frac{1}{4}$ " |
| FACE TO FACE: | $\frac{1}{8}$ " < 4' > $\frac{1}{4}$ " |
| ANGULAR: | \pm 1' |
| FLANGES (H/V): | \pm $\frac{1}{2}$ " |
| VESSEL OVERALL HT: | 1" |

BOLT HOLES MUST STRADDLE ϕ MACHINED PARTS TO BE FREE OF BURRS FOR ADDITIONAL TOLERANCE DETAILS REF. ES-211, ES-222 AND ES-223

REVIEWED FOR CLASSIFICATION PER PR-4
 CRITICAL SIGNIFICANT

| CUSTOMER INFO | |
|---------------|-------------|
| NAME | |
| P.O. NO. | |
| S.O. NO. | |
| QUANTITY | |
| PART NO. | F3AV0800200 |

| | |
|-------------|-------------|
| DRAWN BY | FJM |
| SCALE | AS DRAWN |
| RESTRICTION | RESTRICTION |
| SHEET | 1 OF 1 |
| PROJECTION | THIRD ANGLE |

| | |
|---|----------|
| VESSEL CODE: VMBF-0802-AB10-080A-UT-11SE | |
| EATON FILTRATION, LLC DESIGN CENTER ISELIN, NEW JERSEY, USA • PORTAGE, MICHIGAN, USA | |
| TITLE: MAXILINE (VMBF-0802) FILTER VESSEL 8" 150# RF INLET/ TANGENTIAL OUTLET SPINDLE TYPE-SE MAT'L. SS-316 | |
| DATE | 02/26/03 |
| SIZE | A |
| DWG FILENAME | SE0808TS |
| REV | E |

EATON CORPORATION - CONFIDENTIAL AND PROPRIETARY NOTICE TO PERSONS RECEIVING THIS DRAWING AND/OR TECHNICAL INFORMATION
 THIS DOCUMENT, INCLUDING THE DRAWING AND INFORMATION CONTAINED THEREON IS CONFIDENTIAL AND IS THE EXCLUSIVE PROPERTY OF EATON AT ANY TIME. BY TAKING THE POSSESSION OF THIS DOCUMENT THE RECIPIENT ACKNOWLEDGES AND AGREES THAT THIS DOCUMENT CANNOT BE USED IN ANY MANNER ADVERSE TO THE INTEREST OF EATON AND THAT NO PORTION OF THIS DRAWING MAY BE COPIED OR OTHERWISE REPRODUCED WITHOUT THE PRIOR WRITTEN CONSENT OF EATON. IN THE CASE OF CONFLICTION CONTRACTUAL PROVISIONS, THIS NOTICE SHALL GOVERN THE STATUS OF THIS DOCUMENT.
 2013 EATON CORPORATION - ALL RIGHTS RESERVED.