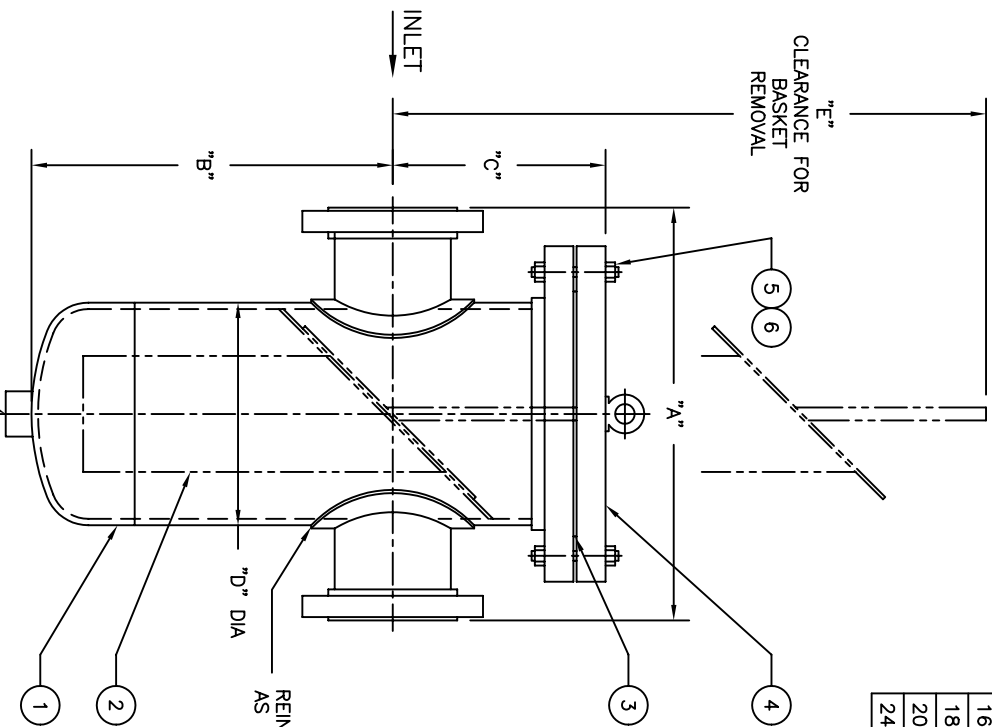


NO.	PART NAME	MATERIAL
1	BODY	STAINLESS STEEL
2	BASKET	
	PERF. DIA.	
	MESH	
3	GASKET	NON-ASBESTOS
4	COVER	STAINLESS STEEL
5	STUDS	SA 193 B7
6	NUTS	SA 194 2H



PIPE SIZE (NOMINAL)	DIMENSIONS						APPROX. WEIGHT LBS. KG	PART NO.
	A IN. MM	B IN. MM	C IN. MM	D IN. MM	E IN. MM	F (NOM.) IN. MM		
2 (50mm)	14.00 / 356	12.00 / 305	9.00 / 229	6.63 / 168	26.00 / 660	1/2 (15)	160 / 72.6	ST090020DR2BA
3 (80mm)	15.00 / 381	12.50 / 318	9.00 / 229	6.63 / 168	26.00 / 660	1/2 (15)	175 / 79.4	ST090030DR2BA
4 (100mm)	16.00 / 406	14.00 / 356	9.50 / 241	8.63 / 219	28.00 / 711	1 (25)	290 / 131.5	ST090040DR2BA
5 (125mm)	17.50 / 445	15.00 / 381	11.00 / 279	10.75 / 273	33.50 / 851	1 (25)	400 / 181.4	ST090050DR2BA
6 (150mm)	21.00 / 533	17.00 / 432	11.00 / 279	10.75 / 273	35.50 / 902	1 (25)	425 / 192.8	ST090060DR2BA
8 (200mm)	23.00 / 584	21.00 / 533	12.50 / 318	12.75 / 324	42.50 / 1080	1-1/2 (40)	605 / 274.4	ST090080DR2BA
10 (250mm)	33.00 / 838	25.00 / 635	14.50 / 368	16.00 / 406	49.00 / 1245	1-1/2 (40)	1025 / 464.9	ST090100DR2BA
12 (300mm)	36.00 / 914	28.00 / 711	16.00 / 406	18.00 / 457	54.50 / 1384	1-1/2 (40)	1330 / 603.3	ST090120DR2BA
14 (350mm)	38.00 / 965	33.00 / 838	17.50 / 445	20.00 / 508	62.75 / 1594	2 (50)	1670 / 757.5	ST090140DR2BA
16 (400mm)	43.00 / 1092	36.00 / 914	20.00 / 508	24.00 / 610	69.75 / 1772	2 (50)	2335 / 1059.1	ST090160DR2BA
18 (450mm)	43.00 / 1092	39.00 / 991	20.00 / 508	24.00 / 610	71.75 / 1822	2 (50)	2460 / 1115.8	ST090180DR2BA
20 (500mm)	44.50 / 1130	44.00 / 1118	24.00 / 610	30.00 / 762	84.50 / 2146	2 (50)	3390 / 1537.7	ST090200DR2BA
24 (600mm)	49.75 / 1264	60.00 / 1524	24.00 / 610	30.00 / 762	98.50 / 2502	2 (50)	3925 / 1780.4	ST090240DR2BA

NOTES :

- UNITS ARE DESIGNED IN ACCORDANCE WITH ASME SECT. VIII, DIV. 1 OF BOILER PRESSURE VESSEL. CODE & IN COMPLIANCE TO CURRENT PUBLISHED ADDENDA .
- CODE STAMPED VESSEL AVAILABLE.
- ALL DIMENSIONS ARE IN INCHES / MM.
- INLET / OUTLET FLANGES PER ANSI B16.5.
- ALL BOLT HOLES STRADDLE NATURAL CENTERLINES.
- DESIGN PRESSURE : 375 PSIG @ 150° F (25.9 BAR @ 65.6°C)

MDMT : -20°F @ 375 PSIG
(MDMT : -28.9°C @ 25.9 BAR)

CERTIFIED FOR:
P.O. NO.:
REG. NO.:
QUOTE NO.:
TAG NO.:

EATON

EATON FILTRATION, LLC
900 FAIRMOUNT AVENUE, ELIZABETH, NEW JERSEY 07207

MODEL 90 BASKET STRAINER
300# RF FLANGE / BOLTED COVER
SIZES 2" THRU 24" STAINLESS STEEL

DRAWN	FM	DATE	6/8/01	CERT.	LH	DATE	6/8/01	REV	C
SIZE	DWG	NO	A						
NAME		SD090BC4							

ELECTRONIC FILE NAME: SD090BC4.DWG
REF. ECR D507 DATE 11/1/05

UNAUTHORIZED USE, MANUFACTURE OR REPRODUCTION IN WHOLE OR IN PART IS PROHIBITED. DRAWING, DESIGN AND OTHER DISCLOSURES PROPERTY OF EATON FILTRATION, LLC