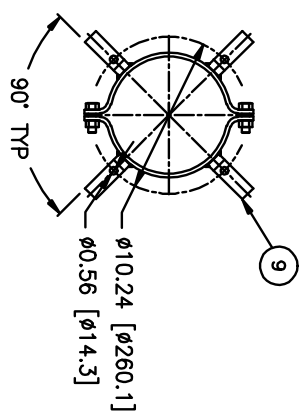
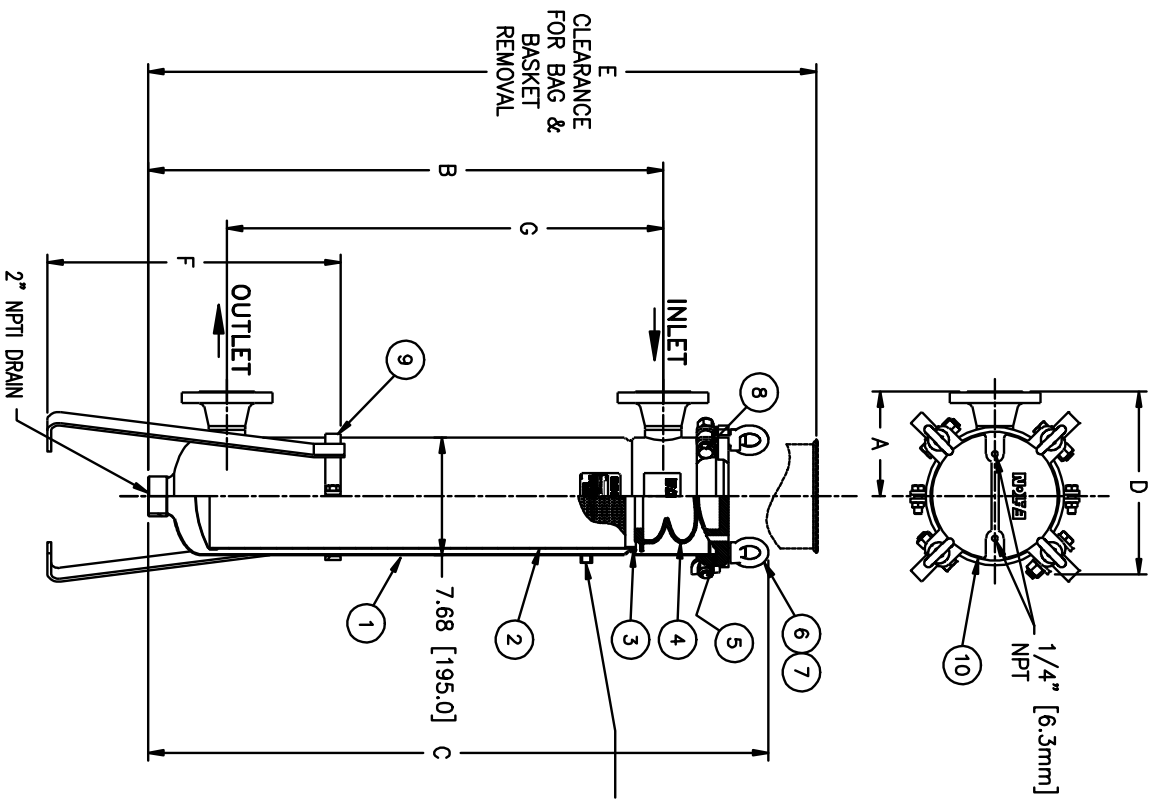


ITEM NUMBER	VESSEL CODE	BAG SIZE	A IN. / MM	B IN. / MM	C IN. / MM	D IN. / MM	E IN. / MM	F IN. / MM	G IN. / MM	FLOW RATE GPM (MAX)	WEIGHT LBS / KGS
SBL101CS2ASSBSP0	FBR2-0101-CS10-020A-L	01	6.84 / 174	18.39 / 467	25.25 / 641	11.92 / 303	34.44 / 875	19.10 / 485	11.5 / 292	90	44 / 20.0
SBL102CS2ASSBSP0	FBR2-0102-CS10-020A-L	02	6.84 / 174	33.55 / 852	40.41 / 1026	11.92 / 303	67.52 / 1715	19.10 / 485	28.4 / 721	180	57 / 25.9



MOUNTING DETAIL

NO.	PART NAME	MATERIAL
1	BODY	CARBON STEEL
2	RESTRAINER BASKET	316 STAINLESS STEEL
3	BASKET O-RING	BUNA-N
4	BAG HOLD DOWN	KYNAR PUDF
5	O-RING	BUNA-N
6	EYE BOLT	STEEL, ZINC PLATED
7	EYE NUT	STEEL, ZINC PLATED
8	BOLT	STEEL, ZINC PLATED
9	LEGS	CARBON STEEL
10	COVER	CARBON STEEL

NOTES:

1. INLET/OUTLET FLANGED CONNECTIONS PER ANSI B16.5
2. MAWP: 150 PSI @ 250° F (-20° F @ 150 PSI (10.3 BAR @ 121.1° C) (-28.9° C @ 10.3 BAR) MIDMT:
3. MAXIMUM OPERATING TEMP. 250° F (121.1° C)
4. PAINT C/STL. PER EATON SPECIFICATION ES-301.

CERTIFIED FOR:
P.O. NO.:
SALES ORDER NO.:
QUANTITY:
TAG NO.:
FILTER BAG:

Eaton
EATON FILTRATION, LLC
70 WOOD AVENUE SOUTH, ISELIN, NEW JERSEY 08830
NAME: FLOWLINE II FILTER VESSEL
2" 150# FLANGED CONNECTION
CARBON STEEL

UNAUTHORIZED USE, MANUFACTURE OR REPRODUCTION IN WHOLE OR IN PART IS PROHIBITED. DRAWING, DESIGN AND OTHER DISCLOSURES PROPERTY OF EATON FILTRATION, LLC

SIZE	DWG NO	DATE	CERT.	DATE	REV
A	FBF211XCF-DPSSO	02/09/10			A

ELECTRONIC FILE NAME: FBF211XCF-DPSSO.dwg
REF. EOR DATE 02/09/10