

Liquidtight Flexible Metal Conduit Connectors with Wire Mesh Strain Relief

For Liquidtight Flexible Metal Conduit. STB, STN, and Female ST Types.

NEC/CEC — Suitable for use in the following Hazardous Locations:
 Class I, Division 2 per NEC 501.10(B)(4)
 Class I, Zone 2 per NEC 505.15(C)(2)
 Class II, Division 1 per NEC 502.10(A)(2)(2)
 Class II, Division 2 per NEC 502.10(B)(2)

NEC/CEC — Suitable for use in the following Hazardous Locations:
 Class III, Division 1 per NEC 503.10(A)(3)(2)
 Class III, Division 2 per NEC 503.10(B)
 Intrinsically Safe per NEC 504.20

Applications

- For use with liquidtight flexible metal conduit subjected to flexure, vibration, motion, or strain. "STB" Type connects to threaded hubs. "STN" Type is for connections to sheet metal enclosures. Female ST Type connects to threaded rigid conduit and IMC.

Features

- Unique long ferrule with more pronounced threads provides over four times UL pull-out requirements.
- Ferrule also provides maximum surface contact for better sealing and a continuous, permanent, positive metal-to-metal ground.
- Stainless steel wire mesh prevents pull-out of flexible conduit from fitting and alleviates flexing stress at liquidtight connection.
- Insulated throat (STB and STN Series) protects against wire damage.
- STN Type has space-saving hex hub wedge adapter that fits nearly flush against inside walls of enclosures, providing maximum wiring room.
- Liquidtight/raintight/oiltight/concretetight.
- Suitable for wet locations.
- STB Series has full, machined tapered threads (NPT).

Standard Material/Finish

- Straight STB, STN, and Female ST connectors: 3/8" thru 1" are steel, 1-1/4" and over are malleable iron
- 45° and 90° connectors: all sizes are malleable iron
- Ferrule: 3/8" thru 1" are steel; 1-1/4" and over are aluminum
- Wire mesh: stainless steel
- Steel: zinc electroplate
- Malleable iron: zinc electroplate, chromate and epoxy powder coat/zinc electroplate

NEC/CEC Certifications and Compliances

- UL Standard: 514B
- UL Listed: E-14814
- CSA Standard: C22.2 No. 18.3
- CSA Certified: 065178
- NEMA: FB-1

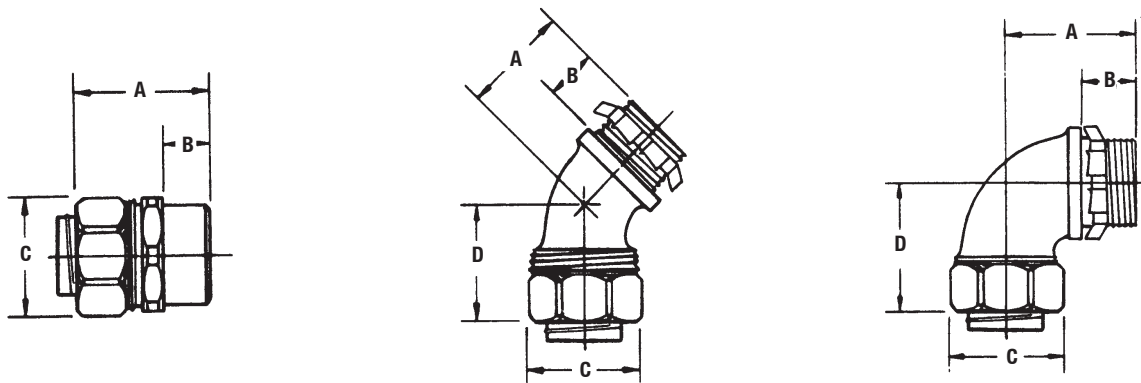


STB-38SR

STD Conduit Thread Size

Flexible Conduit Size (Inches)	NPT Size
3/8	1/2
1/2	1/2
3/4	3/4
1	1
1-1/4	1-1/4
1-1/2	1-1/2
2	2
2-1/2	2-1/2
3	3

Illustrated Dimensions







Liquidtight Flexible Metal Conduit Connectors with Wire Mesh Strain Relief

For Liquidtight Flexible Metal Conduit. STB, STN, and Female ST Types.

NEC/CEC — Suitable for use in the following Hazardous Locations:
 Class I, Division 2 per NEC 501.10(B)(4)
 Class I, Zone 2 per NEC 505.15(C)(2)
 Class II, Division 1 per NEC 502.10(A)(2)(2)
 Class II, Division 2 per NEC 502.10(B)(2)

NEC/CEC — Suitable for use in the following Hazardous Locations:
 Class III, Division 1 per NEC 503.10(A)(3)(2)
 Class III, Division 2 per NEC 503.10(B)
 Intrinsically Safe per NEC 504.20

	Dimensions in Millimeters (Inches)				Outside Diameter		Weight per 100 kg (lb)	Catalog Number	
	A	B	C	D	Min.	Max			
STB Straight — Insulated									
	3/8 flex, 1/2 hub	36.6 (1.44)	16.0 (0.63)	28.7 (1.13)	—	17.5 (0.69)	18.0 (0.71)	9.25 (20.40)	STB-38SR
	1/2	36.6 (1.44)	16.0 (0.63)	31.8 (1.25)	—	20.8 (0.82)	21.3 (0.84)	12.11 (26.70)	STB-50SR
	3/4	38.1 (1.50)	16.0 (0.63)	38.1 (1.50)	—	26.2 (1.03)	26.7 (1.05)	17.74 (39.10)	STB-75SR
	1	41.4 (1.63)	19.1 (0.75)	45.9 (1.81)	—	32.8 (1.29)	33.5 (1.32)	23.90 (52.70)	STB-100SR
	1-1/4	50.8 (2.00)	16.0 (0.63)	58.7 (2.31)	—	41.4 (1.63)	42.2 (1.66)	47.81 (105.40)	STB-125SR
	1-1/2	57.2 (2.25)	16.0 (0.63)	66.8 (2.63)	—	47.5 (1.87)	48.3 (1.90)	66.09 (145.70)	STB-150SR
	2	63.5 (2.50)	17.5 (0.69)	81.0 (3.19)	—	59.4 (2.34)	60.5 (2.38)	91.67 (202.10)	STB-200SR
	2-1/2	85.9 (3.38)	26.9 (1.06)	100.1 (3.94)	—	72.1 (2.84)	73.2 (2.88)	180.89 (398.80)	STB-250SR
3	93.7 (3.69)	30.2 (1.19)	111.3 (4.38)	—	87.9 (3.46)	88.9 (3.50)	242.90 (535.50)	STB-300SR	
STB 45° — Insulated									
	3/8 flex, 1/2 hub	28.7 (1.13)	16.0 (0.63)	28.7 (1.13)	22.4 (0.88)	17.5 (0.69)	18.0 (0.71)	10.61 (23.40)	STB-4538SR
	1/2	31.8 (1.25)	16.0 (0.63)	28.7 (1.13)	22.4 (0.88)	20.8 (0.82)	21.3 (0.84)	13.01 (28.70)	STB-4550SR
	3/4	38.1 (1.50)	16.0 (0.63)	31.8 (1.25)	28.7 (1.13)	26.2 (1.03)	26.7 (1.05)	20.91 (46.10)	STB-4575SR
	1	45.9 (1.81)	19.1 (0.75)	45.9 (1.81)	35.1 (1.38)	32.8 (1.29)	33.5 (1.32)	30.71 (67.70)	STB-45100SR
	1-1/4	58.7 (2.31)	16.0 (0.63)	45.9 (1.81)	41.4 (1.63)	41.4 (1.63)	42.2 (1.66)	55.97 (123.40)	STB-45125SR
	1-1/2	66.8 (2.63)	16.0 (0.63)	54.1 (2.13)	45.9 (1.81)	47.5 (1.87)	48.3 (1.90)	85.09 (187.60)	STB-45150SR
	2	81.0 (3.19)	17.5 (0.69)	60.5 (2.38)	50.8 (2.00)	59.4 (2.34)	60.5 (2.38)	118.89 (262.10)	STB-45200SR
	2-1/2	100.1 (3.94)	26.9 (1.06)	127.0 (5.00)	90.4 (3.56)	72.1 (2.84)	73.2 (2.88)	371.40 (818.80)	STB-45250SR
3	111.3 (4.38)	30.2 (1.19)	147.6 (5.81)	109.5 (4.31)	87.9 (3.46)	88.9 (3.50)	492.37 (1085.50)	STB-45300SR	
STB 90° — Insulated									
	3/8 flex, 1/2 hub	28.7 (1.13)	16.0 (0.63)	38.1 (1.50)	31.8 (1.25)	17.5 (0.69)	18.0 (0.71)	12.88 (28.40)	STB-9038SR
	1/2	31.8 (1.25)	16.0 (0.63)	38.1 (1.50)	31.8 (1.25)	20.8 (0.82)	21.3 (0.84)	15.74 (34.70)	STB-9050SR
	3/4	38.1 (1.50)	16.0 (0.63)	39.6 (1.56)	36.6 (1.44)	26.2 (1.03)	26.7 (1.05)	24.54 (54.10)	STB-9075SR
	1	45.9 (1.81)	19.1 (0.75)	47.8 (1.88)	35.1 (1.38)	32.8 (1.29)	33.5 (1.32)	34.79 (76.70)	STB-90100SR
	1-1/4	58.7 (2.31)	16.0 (0.63)	60.5 (2.38)	45.9 (1.81)	41.4 (1.63)	42.2 (1.66)	62.32 (137.40)	STB-90125SR
	1-1/2	66.8 (2.63)	16.0 (0.63)	81.0 (3.19)	61.9 (2.44)	47.5 (1.87)	48.3 (1.90)	99.20 (218.70)	STB-90150SR
	2	81.0 (3.19)	17.5 (0.69)	90.4 (3.56)	66.8 (2.63)	59.4 (2.34)	60.5 (2.38)	142.47 (314.10)	STB-90200SR
	2-1/2	100.1 (3.94)	26.9 (1.06)	144.4 (8.44)	182.6 (7.19)	72.1 (2.84)	73.2 (2.88)	407.69 (898.80)	STB-90250SR
3	111.3 (4.38)	30.2 (1.19)	257.3 (10.13)	219.2 (8.63)	87.9 (3.46)	88.9 (3.50)	537.73 (1185.50)	STB-90300SR	
ST Straight Female with Threaded Hubs									
	3/8 flex, 1/2 hub	36.6 (1.44)	16.0 (0.63)	28.7 (1.13)	—	17.5 (0.69)	18.0 (0.71)	8.35 (18.40)	ST-38FSR
	1/2	36.6 (1.44)	16.0 (0.63)	31.8 (1.25)	—	20.8 (0.82)	21.3 (0.84)	11.20 (24.70)	ST-50FSR
	3/4	38.1 (1.50)	16.0 (0.63)	38.1 (1.50)	—	26.2 (1.03)	26.7 (1.05)	16.83 (37.10)	ST-75FSR
	1	41.4 (1.63)	19.1 (0.75)	45.9 (1.81)	—	32.8 (1.29)	33.5 (1.32)	22.54 (49.70)	ST-100FSR
	1-1/4	50.8 (2.00)	16.0 (0.63)	58.7 (2.31)	—	41.4 (1.63)	42.2 (1.66)	54.61 (120.40)	ST-125FSR
	1-1/2	57.2 (2.25)	16.0 (0.63)	66.8 (2.63)	—	47.5 (1.87)	48.3 (1.90)	77.29 (170.40)	ST-150FSR
	2	63.5 (2.50)	17.5 (0.69)	81.0 (3.19)	—	59.4 (2.34)	60.5 (2.38)	116.62 (257.10)	ST-200FSR
	2-1/2	85.9 (3.38)	26.9 (1.06)	100.1 (3.94)	—	72.1 (2.84)	73.2 (2.88)	209.51 (461.90)	ST-250FSR
3	93.7 (3.69)	30.2 (1.19)	111.3 (4.38)	—	87.9 (3.46)	88.9 (3.50)	232.74 (513.10)	ST-300FSR	

COMMERCIAL AND INDUSTRIAL FITTINGS: LIQUIDTIGHT CONDUIT FITTINGS

APPLETON™

Liquidtight Flexible Metal Conduit Connectors with Wire Mesh Strain Relief

STN Types

NEC/CEC — Suitable for use in the following Hazardous Locations:
 Class I, Division 2 per NEC 501.10(B)(4)
 Class I, Zone 2 per NEC 505.15(C)(2)
 Class II, Division 1 per NEC 502.10(A)(2)(2)
 Class II, Division 2 per NEC 502.10(B)(2)

NEC/CEC — Suitable for use in the following Hazardous Locations:
 Class III, Division 1 per NEC 503.10(A)(3)(2)
 Class III, Division 2 per NEC 503.10(B)
 Intrinsically Safe per NEC 504.20

Trade Size (Inches)	STD Thread Pipe	Dimensions in Millimeters (Inches)		Hole Diameter in Millimeters (Inches)		Wall Thickness		Outside Diameter in Millimeters (Inches)		Weight per 100 kg (lb)	Catalog Number
		A	C	Min.	Max	Min.	Max	Min.	Max		
STN Straight — Insulated											
3/8	1/2"-14"	35.6 (1.44)	28.7 (1.13)	22.4 (0.88)	23.9 (0.94)	1.5 (0.06)	2.0 (0.08)	17.5 (0.69)	18.0 (0.71)	10.61 (23.40)	STN-38SR
					24.6 (0.97)	2.3 (0.09)	6.4 (0.25)				
1/2	1/2"-14"	35.6 (1.44)	31.8 (1.25)	22.4 (0.88)	23.9 (0.94)	1.5 (0.06)	2.0 (0.08)	20.8 (0.82)	21.3 (0.84)	13.93 (30.70)	STN-50SR
					24.6 (0.97)	2.3 (0.09)	6.4 (0.25)				
3/4	3/4"-14"	39.6 (1.56)	38.1 (1.50)	27.7 (1.09)	29.5 (1.16)	1.5 (0.06)	2.0 (0.08)	26.2 (1.03)	26.7 (1.05)	20.91 (46.10)	STN-75SR
					31.0 (1.22)	2.3 (0.09)	6.4 (0.25)				
1	1"-11-1/2"	44.5 (1.75)	45.9 (1.81)	34.0 (1.34)	35.8 (1.41)	1.5 (0.06)	2.0 (0.08)	32.8 (1.29)	33.5 (1.32)	26.99 (59.50)	STN-100SR
					37.3 (1.47)	2.3 (0.09)	6.4 (0.25)				
1-1/4	1-1/4"-11-1/2"	66.8 (2.63)	58.7 (2.31)	42.9 (1.69)	45.2 (1.78)	1.5 (0.06)	2.0 (0.08)	41.4 (1.63)	42.2 (1.66)	66.41 (146.40)	STN-125SR
					46.7 (1.84)	2.3 (0.09)	7.9 (0.31)				
1-1/2	1-1/2"-11-1/2"	66.8 (2.63)	66.8 (2.63)	49.3 (1.94)	51.6 (2.03)	1.5 (0.06)	2.0 (0.08)	47.5 (1.87)	48.3 (1.90)	95.57 (210.70)	STN-150SR
					53.1 (2.09)	2.3 (0.09)	7.9 (0.31)				
2	2"-11-1/2"	74.7 (2.94)	81.0 (3.19)	60.7 (2.39)	64.3 (2.53)	1.5 (0.06)	2.0 (0.08)	59.4 (2.34)	60.5 (2.38)	141.57 (312.10)	STN-200SR
					65.8 (2.59)	2.3 (0.09)	7.9 (0.31)				
2-1/2	2-1/2"-8"	92.2 (3.63)	100.1 (3.94)	73.4 (2.89)	76.7 (3.02)	2.3 (0.09)	7.9 (0.31)	72.1 (2.84)	73.2 (2.88)	257.55 (567.80)	STN-250SR
3	3" - 8"	81.0 (3.19)	111.3 (4.38)	89.4 (3.52)	92.5 (3.64)	2.3 (0.09)	7.9 (0.31)	87.9 (3.46)	88.9 (3.50)	342.24 (754.50)	STN-300SR
STN 90° — Insulated											
3/8	1/2"-14"	—	—	22.4 (0.88)	23.9 (0.94)	1.5 (0.06)	2.0 (0.08)	17.5 (0.69)	18.0 (0.71)	11.97 (26.40)	STN-9038SR
					24.6 (0.97)	2.3 (0.09)	6.4 (0.25)				
1/2	1/2"-14"	—	—	22.4 (0.88)	23.9 (0.94)	1.5 (0.06)	2.0 (0.08)	20.8 (0.82)	21.3 (0.84)	13.93 (30.70)	STN-9050SR
					24.6 (0.97)	2.3 (0.09)	6.4 (0.25)				
3/4	3/4"-14"	—	—	27.7 (1.09)	29.5 (1.16)	1.5 (0.06)	2.0 (0.08)	26.2 (1.03)	26.7 (1.05)	23.63 (52.10)	STN-9075SR
					31.0 (1.22)	2.3 (0.09)	6.4 (0.25)				
1	1"-11-1/2"	—	—	34.0 (1.34)	35.8 (1.41)	1.5 (0.06)	2.0 (0.08)	32.8 (1.29)	33.5 (1.32)	45.99 (101.40)	STN-90100SR
					37.3 (1.47)	2.3 (0.09)	6.4 (0.25)				

COMMERCIAL AND INDUSTRIAL FITTINGS: LIQUIDTIGHT CONDUIT FITTINGS



APPLETON™

